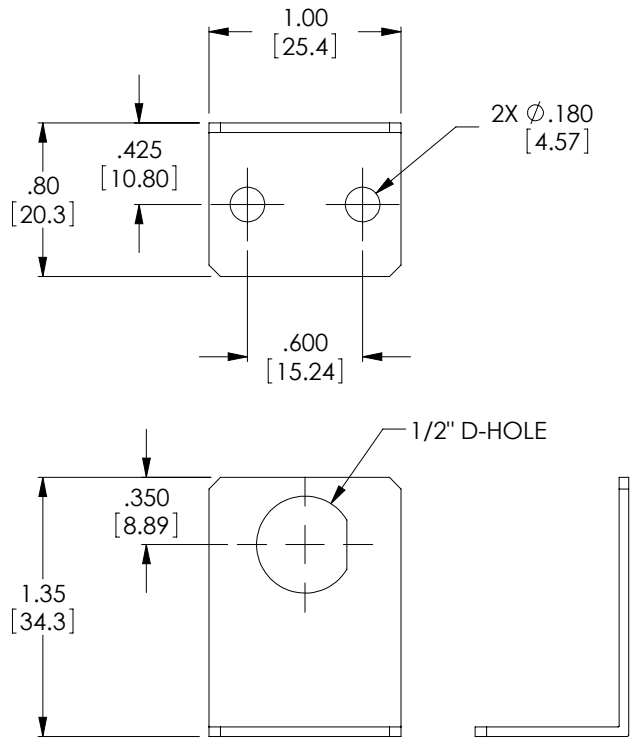
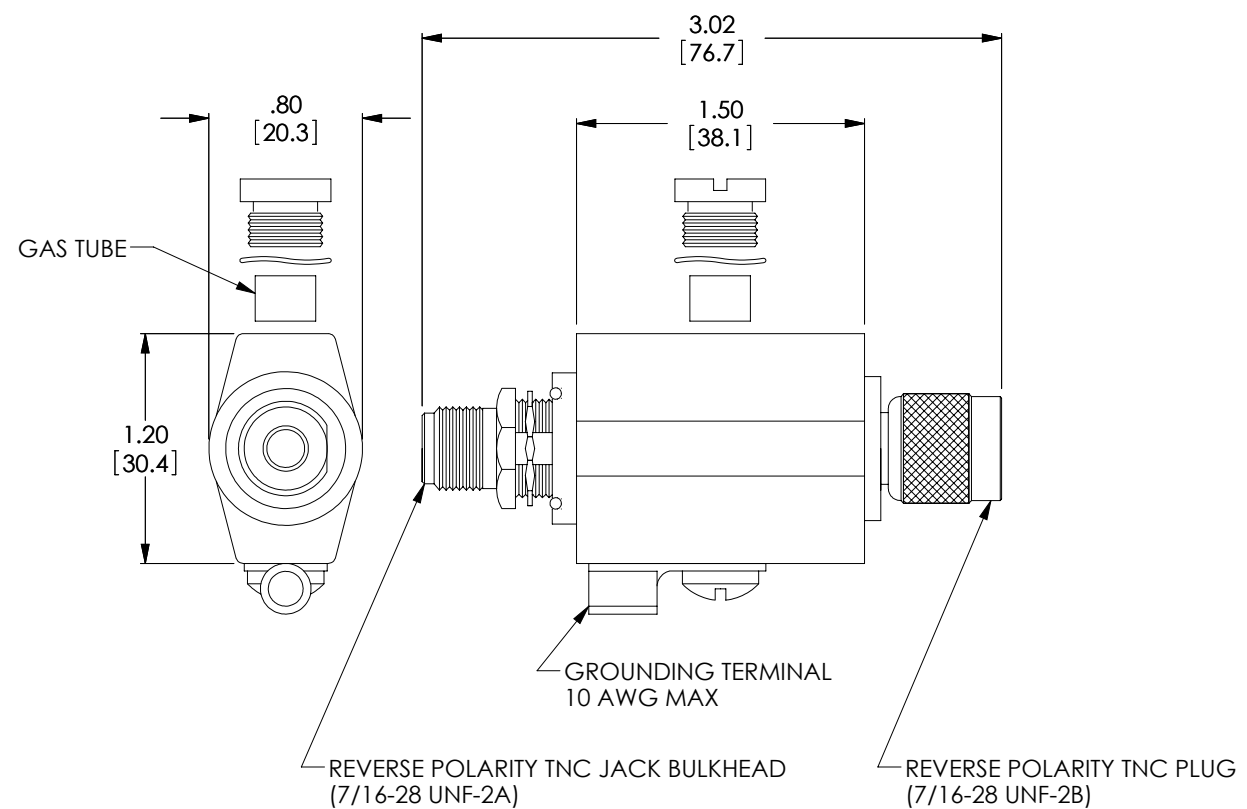


THE INFORMATION CONTAINED IN THIS DRAWING IS THE SOLE PROPERTY OF L-COM, INC. ANY REPRODUCTION IN PART OR WHOLE WITHOUT THE WRITTEN PERMISSION OF L-COM, INC. IS PROHIBITED.

REVISIONS			
REV	DESCRIPTION	DATE	APPROVED
A	RELEASED	09/09/03	AV
B	ECN5050: UPDATED FORMAT. ADDED MNT BRKT. ADDED NOTES.	09/28/10	DFP



MOUNTING BRACKET



NOTE:

1. MOUNTING BRACKET MATERIAL: .05 [1.27] THK ALUMINUM
2. PROTECTOR MATERIAL:
 BODY: ALUMINUM
 CONTACT: GOLD PLATED BRASS
 INSULATOR: PTFE
3. PACKAGE IN ACCORDANCE WITH L-COM SPECIFICATION
4. 90V GAS TUBE, 0-3GHZ

UNLESS OTHERWISE SPECIFIED, DIMENSIONS ARE IN INCHES [mm] OVERALL CABLE LENGTH TOLERANCE: ≤ 12 [305] = +1 [25] / -0 >12 [305] ≤ 60 [1524] = +2 [51] / -0 >60 [1524] ≤ 120 [3048] = +4 [102] / -0 >120 [3048] ≤ 300 [7620] = +6 [152] / -0 >300 [7620] = +3% / -0% ALL OTHER DIMENSIONAL TOLERANCES: .X = $\pm .2$.XX = $\pm .02$.XXX = $\pm .005$	APPROVALS DRAWN BY A. VAJANYI	DATE 09/09/2003		45 BEECHWOOD DRIVE NORTH ANDOVER, MA 01845		
	CHECKED BY A. VAJANYI	09/09/2003		CATEGORY LIGHTNING PROTECTOR		
	APPROVED BY P. PESA	09/09/2003		PRODUCT DESCRIPTION SURGE PRO 0-3GHZ RP TNC		
	PROJECTION 	CONFIGURATION DETAILS OF UNDIMENSIONED FEATURES MAY VARY		COLOR VARIATIONS MAY OCCUR	SIZE A	FSCM NO. 43321
SCALE: NONE			CAD FILE: AL-RTPRTJB.SLDRW		SHEET 1 OF 1	