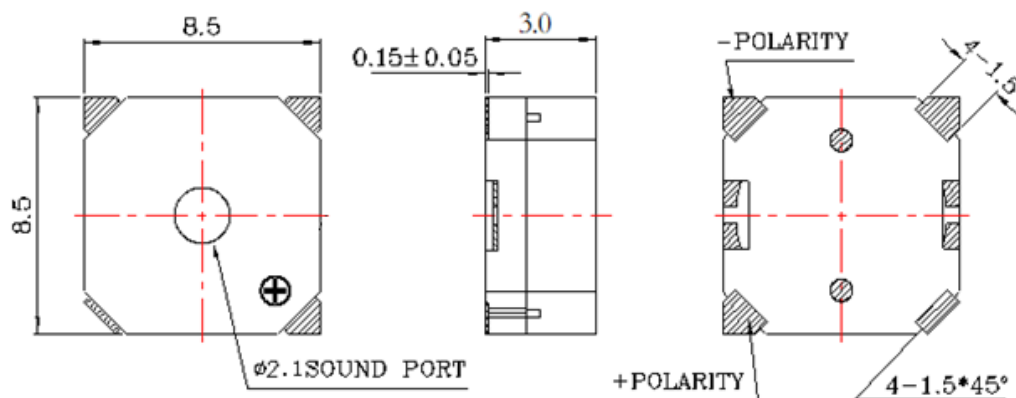


Sales Outline DrawingRevision **C**

**May not be suitable for all medical and aerospace applications.
Specifications: Contact Mallory Sonalert to discuss your application.**

NO CIRCUITRY

Oscillation Frequency (Hz)	2700
Operating Voltage (V _{p-p})	2 ~ 4
Rated Voltage (V _{p-p})	3
Current Consumption Max. (mA)	100 at Rated Voltage
Sound Pressure Level (dB/min)	80 at 10cm at Rated Voltage
Coil Resistance (Ω)	16 ± 3
Operating Temperature (°C)	-20 ~ +70
Storage Temperature (°C)	-30 ~ +80
Type of Connection Terminal	SMD
Housing	LCP plastic resin (Color : Black)
Weight (Grams)	0.8
Condition by reflow soldering (°C)	250 ± 5 / within 10 sec
Condition by hand soldering (°C)	350 ± 20 / within 5 sec
Options	For other options contact factory

Dimensions: (units: mm)**RoHS Compliant****Packaging:**

Parts are supplied on tape-and-reel, 1000 pcs per reel.

Units do not come with wash label and are not appropriate for aqueous wash.

