

**MODEL:** CPS-5248-105PM | **DESCRIPTION:** SIREN

## FEATURES

- warble tone
- internally driven
- panel mount



## SPECIFICATIONS

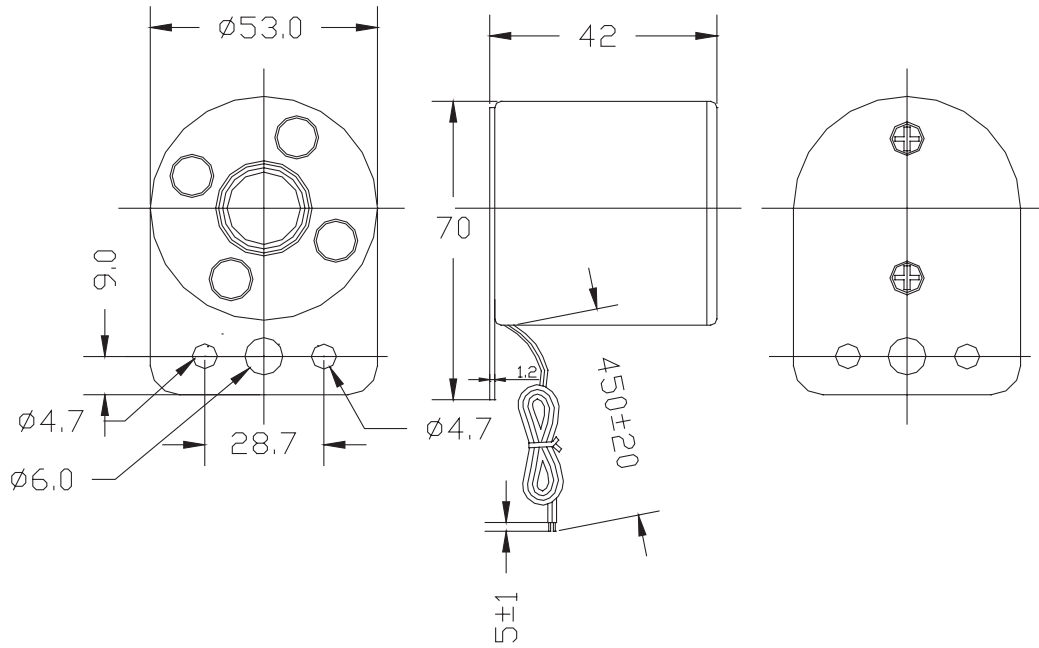
parameter	conditions/description	min	typ	max	units
rated voltage	with reverse polarity protection		12		Vdc
operating voltage	with reverse polarity protection	6		15	Vdc
current consumption	at rated voltage		160	280	mA
rated frequency		1,800		3,500	Hz
sound pressure level	at 1 m, rated voltage	98	103	108	dB
tone	warble				
dimensions	Ø53.0 x 42.0				mm
weight			60.0		g
material	ABS (UL94HB)				
terminal	wire leads				
operating temperature		-20		70	°C
storage temperature		-30		80	°C
washable	no				
RoHS	yes				

Notes: 1. All specifications measured at 25±3°C, humidity at 60-70%, under 86-106 kPa pressure, unless otherwise noted.

## MECHANICAL DRAWING

units: mm  
tolerance:  $\pm 3$  mm

wire: UL 2468 24 AWG

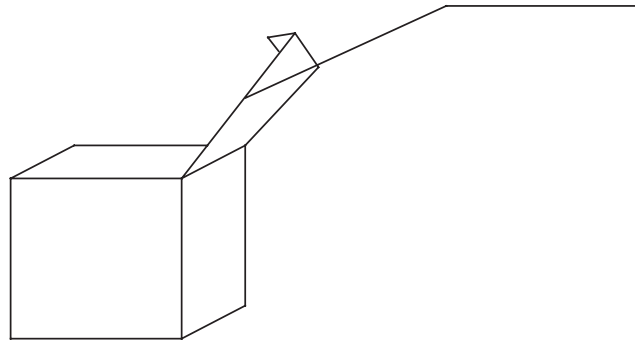


## PACKAGING

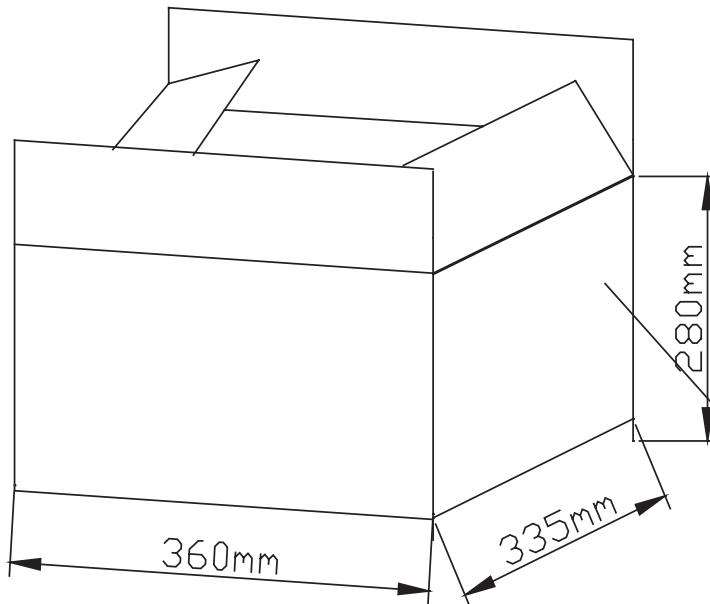
units: mm

Carton Size: 360 x 335 x 280 mm  
Carton QTY: 140 pcs per carton

White Box



1 PCS One BOX



MODEL:
QTY: 140 PCS
N.W: 8.4Kg
G.W: 10.9Kg
SIZE: 36*33.5*28
LOT NO:

## REVISION HISTORY

rev.	description	date
1.0	initial release	01/22/2020
1.01	logo, datasheet style update	08/05/2022
1.02	CUI Devices rebranded to Same Sky	09/11/2024

The revision history provided is for informational purposes only and is believed to be accurate.



Same Sky offers a one (1) year limited warranty. Complete warranty information is listed on our website.

Same Sky reserves the right to make changes to the product at any time without notice. Information provided by Same Sky is believed to be accurate and reliable. However, no responsibility is assumed by Same Sky for its use, nor for any infringements of patents or other rights of third parties which may result from its use.

Same Sky products are not authorized or warranted for use as critical components in equipment that requires an extremely high level of reliability. A critical component is any component of a life support device or system whose failure to perform can be reasonably expected to cause the failure of the life support device or system, or to affect its safety or effectiveness.

[sameskydevices.com](https://www.sameskydevices.com)