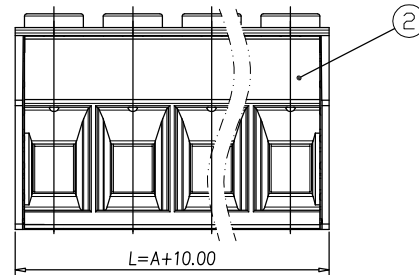
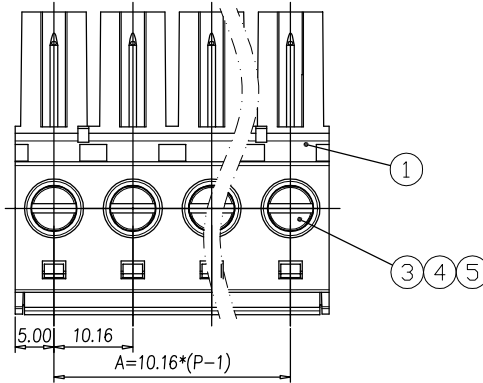
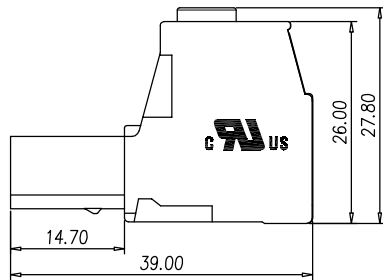


Transfer or duplication of this document as well as the utilisation or communication of its content are not permitted unless express consent is granted. Violations give rise to claims for damages. All rights reserved in case of patent, utility model or design patent registrations.



Technical Data:

Electrical

Pitch: 10.16mm

Voltage rating: 300V

Current rating: 55 Amps

Contact resistance: $\leq 5m\Omega$

Withstanding Voltage: 2200VAC(1min) Test time=60sec/1pcs

Wire range: 6-20AWG

Wire strip length: 13-14mm

Mechanical:

Torque: 1.8Nm/M4

Operating temperature: -40°C to +115°C

Safety approval:

RoHS Compliance

Part No.:

OSTEVXX6150

No. of Poles

02 2 Poles

03 3 Poles

... ..

12 12 Poles

COLOR

0: Black

2: Red

3: Orange

4: Yellow

5: Green (Standard)

6: Blue

8: Grey

Nonstandard colors
Mins could apply

5	Screw	Steel / M4	Zn plated	1xN
4	Contact	Copper Alloy	Ni plated	1xN
3	Wire guard	Copper Alloy	Ag plated	1xN
2	Cover	PA66 UL94V-0		1
1	Body	PA66 UL94V-0		1
ITEM	NAME OF PART	MATERIAL	NOTES	Q"TY
DWG:	DATE:	UNITS:	MM	SHEET: 1 OF 1
CHK:	DATE:	SCALE:	NONE 2:1	REV.: A
APP:	DATE:	TITLE:	OSTEV SERIES 10.16MM	
		PART NO.:	OSTEVXX6150	
		DWG NO.:	OSTEVXX6150.DWG	
			X.	±0.50
			X.X	±0.30
			X.XX	±0.10
			X*	±1°

REV	SIGN	DESCRIPTION	CHK.	DATE



ON-SHORE TECHNOLOGY, INC.

