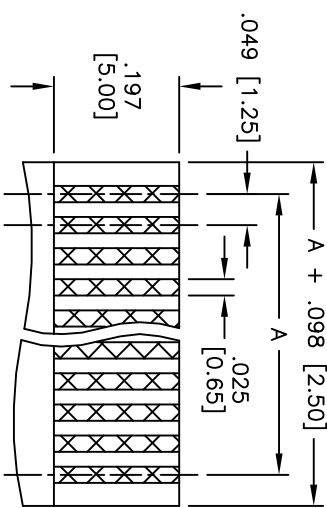
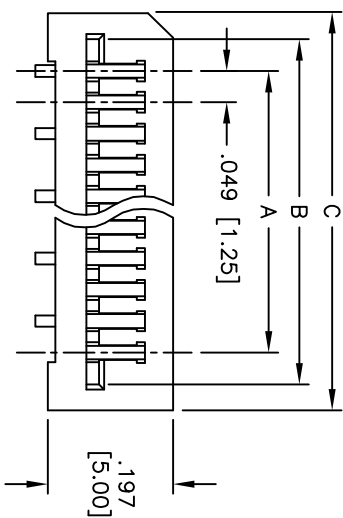
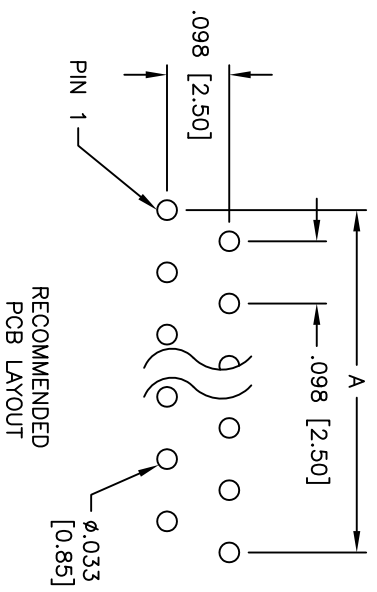
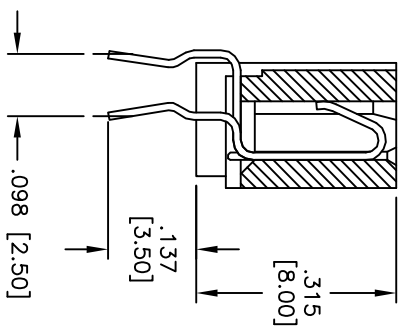
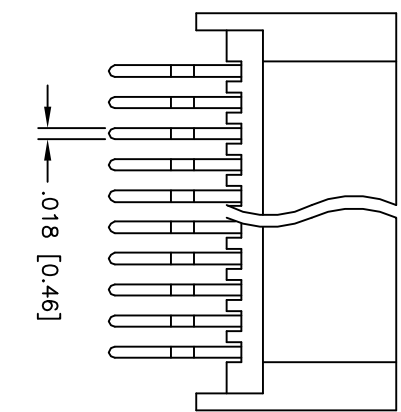


Rev	AWO #	Description	Date	Appr
-		RELEASED	3/23/05	

APPROVED: \_\_\_\_\_  
 DATE: \_\_\_\_\_ TITLE: \_\_\_\_\_



FPC/FFC THICKNESS  
 .012 ±.002  
 [0.30 ±0.05]



Positions: 3 thru 30  
 A = .049 [1.25] x No. of Spaces  
 B = A + .100 [2.54]  
 C = A + .183 [4.65]

**SPECIFICATIONS:**  
 Material: Insulator: PBT, Glass reinforced, rated UL 94V-0  
 Insulator color: Black  
 Contacts: Phosphor Bronze  
 Plating: Tin over Copper underplate overall  
 Electrical: Operating voltage: 250 VAC max  
 Current rating: 1 Amp max  
 Contact resistance: 25 mohms max initial  
 Insulation resistance: 1000 Mohms min  
 Dielectric withstanding voltage: 500 VAC for 1 minute  
 Operating temperature: -55°C to +85°C  
 Environmental: Lead free, RoHS compliant



UNLESS OTHERWISE SPECIFIED ALL DIMENSIONS ARE INCHES [MM]	
TOLERANCES: EXCEPT AS NOTED	
INCHES	MM
.X ±.10	ØXX ±.10
.XX ±.020	ØXXX ±.015
.XXX ±.015	ØXXXX ±.010
APPROVALS	DATE
DRAWN	SS
CHECKED	AY
APPROVED	

**ADAM TECH**  
 909 Railway Avenue, Union, NJ 07083  
 Phone: 908-687-5000 Fax: 908-687-5710

TITLE		PART NO.		REV.
LIF FLEX CIRCUIT CONNECTOR		PCB-B-XX-T-25		-
TOP ENTRY, 2.50 MM PCB ROW SPACING		SCALE: NTS	SHEET 1 OF 1	