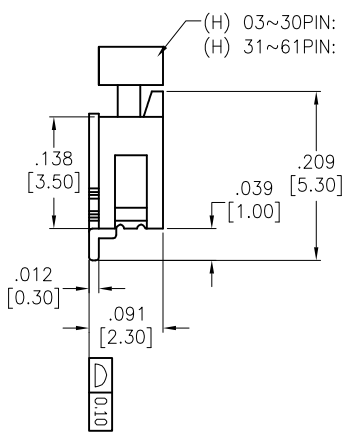
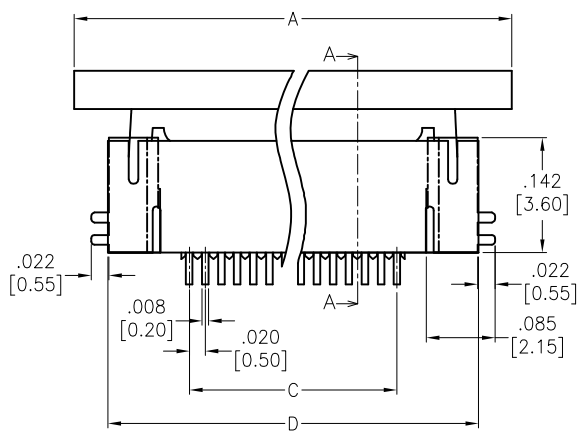
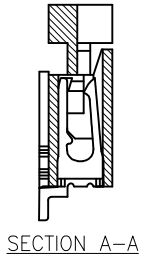
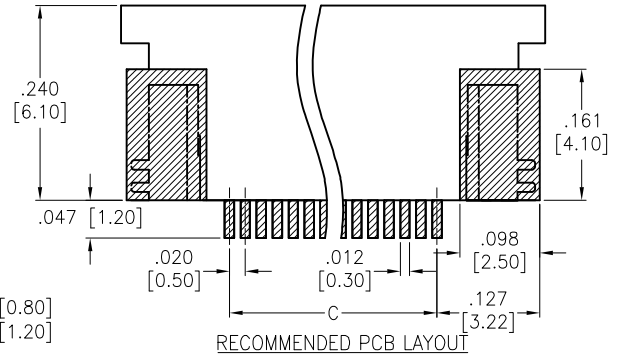
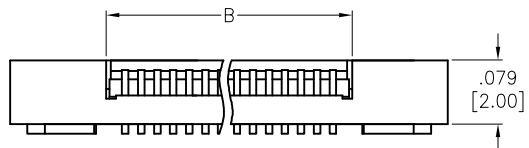
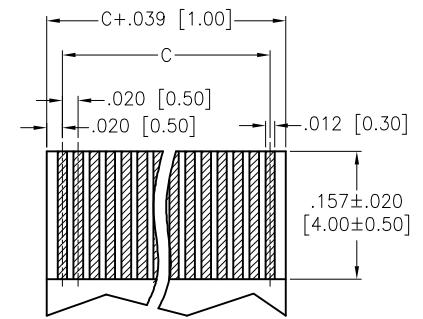


APPROVED: \_\_\_\_\_  
 DATE: \_\_\_\_\_ TITLE: \_\_\_\_\_

Rev	AWO #	Description	Date	Appr
-		RELEASED	3/16/15	



RECOMMENDED PCB LAYOUT



FPC/FFC T=0.30±0.03mm

**SPECIFICATIONS:**  
 Material:  
 Insulator: Hi-temp thermoplastic, rated UL 94V-0  
 Insulator color: Natural  
 Actuator: Hi-temp thermoplastic, rated UL 94V-0, Color: Black  
 Contacts: Phosphor Bronze  
 Holddown: Brass, Tin plated  
 Plating:  
 Tin over Nickel underplate overall  
 Electrical:  
 Current rating: 0.5 Amps max  
 Contact resistance: 30 mohms max  
 Insulation resistance: 100 Mohms min  
 Dielectric withstanding voltage: 250V AC for 1 minute  
 Temperature Rating:  
 Operating temperature: -25°C to +85°C  
 Environmental:  
 Lead free, RoHS compliant



Positions: 03 thru 61  
 A= .020 [0.50] x No. of Spaces +.283 [7.20]  
 B= .020 [0.50] x No. of Spaces + .043 [1.10]  
 C= .020 [0.50] x No. of Spaces  
 D= .020 [0.50] x No. of Spaces + .201 [5.10]

UNLESS OTHERWISE SPECIFIED ALL DIMENSIONS ARE INCHES [MM] TOLERANCES: EXCEPT AS NOTED		
INCHES		HOLES
.X ± .10	∅X ± .10	
.XX ± .020	∅XX ± .015	
.XXX ± .015	∅XXX ± .010	
APPROVALS		DATE
DRAWN	AY	3/16/15
CHECKED	GC	3/16/15
APPROVED		

**ADAM TECH**  
 909 Rahway Avenue, Union, NJ 07083  
 Phone: 908-687-5000 Fax: 908-687-5710

TITLE: ZIF FLEX CIRCUIT CONNECTOR, SMT TYPE  
 SIDE ENTRY, UPPER CONTACT

SIZE	PART NO.	REV.
X	PCA-6-LA-XX-HU-3	-

REF: S00165C SCALE: NTS SHEET 1 OF 1

6

5

4

3

2

1

6

5

4

3

2

1