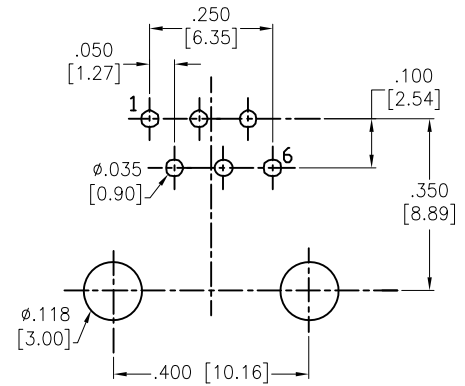
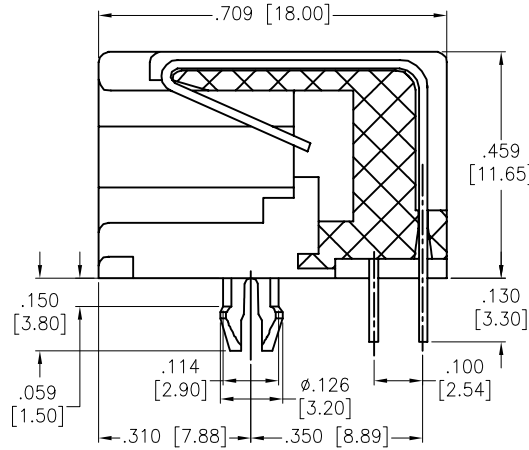
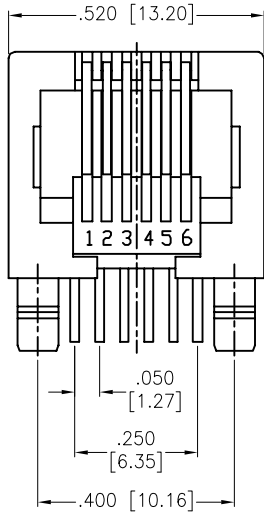
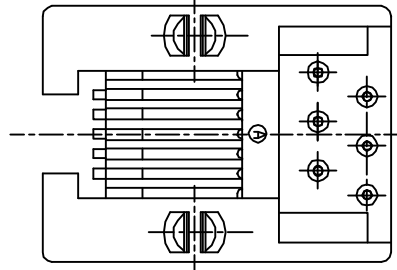


APPROVED: _____
 DATE: _____ TITLE: _____

| Rev | AWO # | Description | Date | Appr |
|-----|-------|-----------------------------|----------|-------|
| - | | RELEASED | 10/4/04 | |
| A | | REVISED DIM. | 2/05/10 | |
| B | | REDRAWN | 06/08/12 | |
| C | | UPDATED SPEC. | 6/20/18 | HR/TW |
| D | | CORRECTED DIM ON PCB LAYOUT | 11/30/22 | SS |



RECOMMENDED PCB LAYOUT



SPECIFICATIONS:

Material:
 Insulator: PBT, rated UL 94V-0
 Insulator color: Black
 Contacts: Phosphor Bronze
 Plating:
 Round contact
 Gold over Nickel underplate overall
 Flat contact
 Gold over Nickel underplate on contact area,
 Tin over Nickel underplate on solder tails

Electrical:
 Voltage rating: 125 VAC max
 Current rating: 1.5 Amps max
 Contact resistance: 35 mohms max
 Insulation resistance: 1,000 Mohms min @ 500 VDC
 Dielectric withstanding voltage: 1,000 VAC for 1 minute
 Temperature Rating:
 Operating temperature: -40°C to +85°C
 Environmental:
 Lead free, RoHS compliant.



| | |
|---|--------------|
| UNLESS OTHERWISE SPECIFIED ALL DIMENSIONS ARE INCHES [MM] TOLERANCES: EXCEPT AS NOTED | |
| INCHES | HOLES |
| .X ± .10 | Ø.X ± .10 |
| .XX ± .020 | Ø.XX ± .015 |
| .XXX ± .015 | Ø.XXX ± .010 |
| APPROVALS | |
| DRAWN | DATE |
| CHECKED | |
| APPROVED | |

ADAM TECH INTERCONNECTS 909 Rahway Avenue,
 Union, NJ 07083
 Phone: 908-687-5000
 Fax: 908-687-5710

| | | | |
|-------|-----------|---|-----|
| TITLE | | MODULAR TELEPHONE JACK, 6P6C RIGHT ANGLE, PCB, COLOR BLACK | |
| SIZE | PART NO. | REV. | |
| X | MTJ-665X1 | D | |
| REF: | S00005C | SCALE: | NTS |
| | | SHEET 1 OF 1 | |