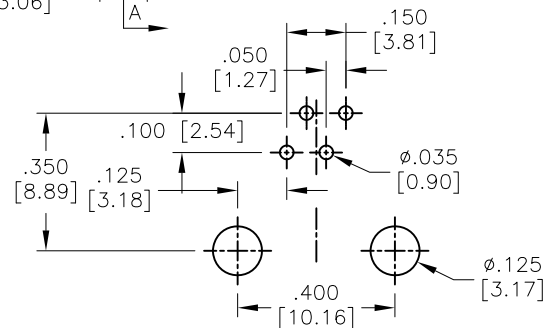
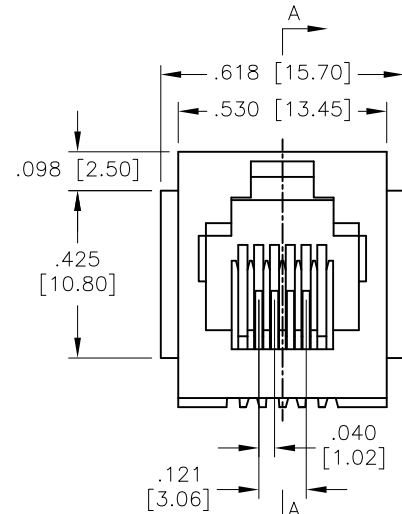
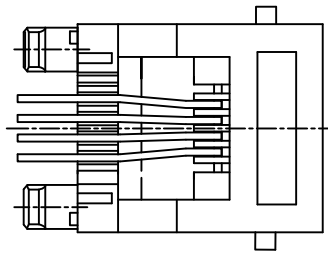
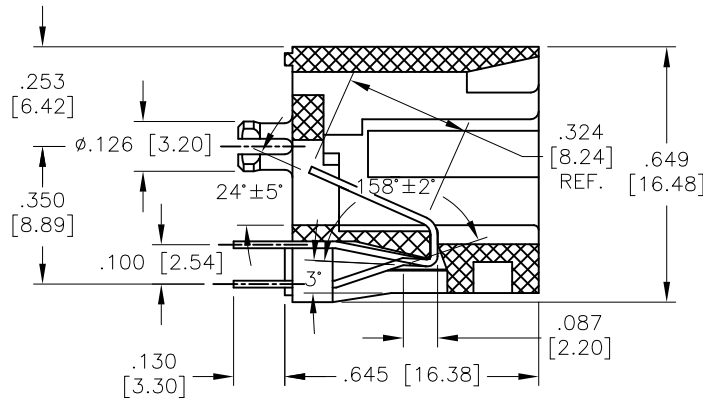
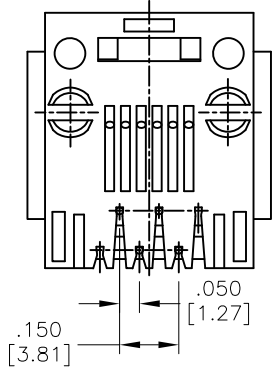


APPROVED: _____
 DATE: _____ TITLE: _____

Rev	AWO #	Description	Date	Appr
-		RELEASED	02/06/04	
A		REDRAWN	9/23/11	
B		REVISED DIM.	9/23/11	AY
C		UPDATED DRAWING	8/1/18	HR/TW
D		UPDATED DRAWING	11/4/19	LH/TW



SPECIFICATIONS:

Material:
 Insulator: PBT, rated UL 94V-0
 Insulator color: Black
 Contacts: Phosphor Bronze
Plating:
 Round contact
 Gold over Nickel underplate overall
 Flat contact
 Gold over Nickel underplate on contact area,
 Tin over Nickel underplate on solder tails
Electrical:
 Voltage rating: 150 VAC RMS
 Current rating: 1.5 Amp
 Contact resistance: 20 mohms max
 Insulation resistance: 1000 Mohms min @ 500 VDC
 Dielectric withstanding voltage:

1000 VAC/DC (Contact to Contact)
 1500 VAC/DC (Contact to Screen & Test Panel) for 1 minute
 Temperature Rating:
 Operating temperature: -40°C to +85°C

Environmental:
 Lead free, RoHS compliant.



UNLESS OTHERWISE SPECIFIED ALL DIMENSIONS ARE INCHES [MM] TOLERANCES: EXCEPT AS NOTED		
INCHES HOLES		
.X ± .10	Ø.X ± .10	
.XX ± .020	Ø.XX ± .015	
.XXX ± .015	Ø.XXX ± .010	
APPROVALS		DATE
DRAWN	SS	02/06/04
CHECKED		
APPROVED		

ADAM TECH INTERCONNECTS
 909 Rahway Avenue,
 Union, NJ 07083
 Phone: 908-687-5000
 Fax: 908-687-5710

TITLE MODULAR TELEPHONE JACK, VERTICAL, TOP ENTRY, 6 POSITION, 4 CONTACT		
SIZE X	PART NO. MTJ-643X1	REV. D
REF: S00005C	SCALE: NTS	SHEET 1 OF 1