

6

5

4

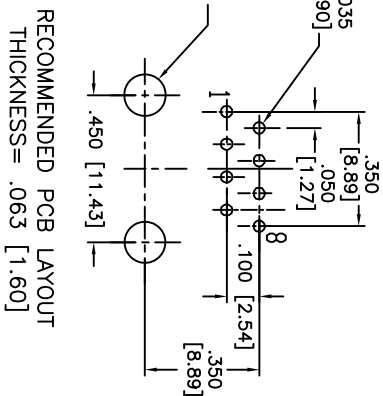
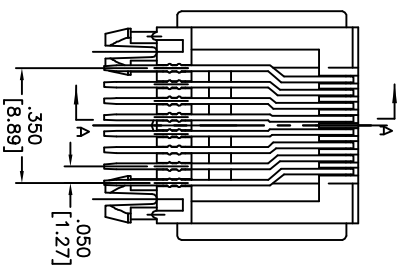
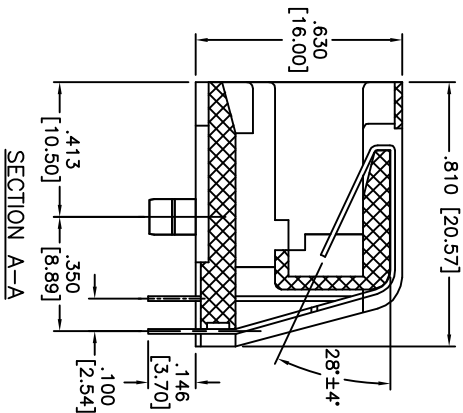
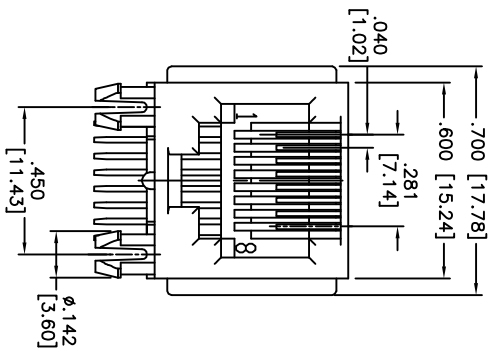
3

2

1

APPROVED: _____
DATE: _____ TITLE: _____

| Rev | AWO # | Description | Date | Appr |
|-----|-------|------------------|----------|-------|
| - | | RELEASED | 12/1/04 | |
| A | | UPDATED SPECS | 01/13/05 | |
| B | | REDRAWN | 9/4/14 | AV/NP |
| C | | UPDATED DRAWING. | 3/23/15 | HR/RT |



| X | PLATING |
|---|-------------|
| 0 | 15 µin Gold |
| 1 | 30 µin Gold |
| 2 | 50 µin Gold |

UNLESS OTHERWISE SPECIFIED
ALL DIMENSIONS ARE IN INCHES [MM]
TOLERANCES: EXCEPT AS NOTED

| INCHES | HOLES |
|-------------|-------------|
| .X ± .10 | ØX ± .10 |
| .XX ± .020 | ØXXX ± .015 |
| .XXX ± .015 | ØXXX ± .010 |

ADAM TECH

909 Railway Avenue, Union, NJ 07083
Phone: 908-687-5000 Fax: 908-687-5710

MODULAR TELEPHONE JACK, 8P8C
RIGHT ANGLE, PCB, COLOR BLACK

| | | |
|----------|----|---------|
| DRAWN | SS | 12/1/04 |
| CHECKED | | |
| APPROVED | | |

| | | | |
|-------|---------|------------|--------------|
| TITLE | SIZE | PART NO. | REV. |
| | X | MTJ-881X1 | C |
| REF: | S00036C | SCALE: NTS | SHEET 1 OF 1 |

SPECIFICATIONS:

- Material: Insulator: PBT, rated UL 94V-0
- Insulator color: Black
- Contacts: Phosphor Bronze
- Plating: Gold over Nickel underplate on contact area, Tin over Copper underplate on PCB tails
- Electrical: Operating voltage: 125 VAC max
- Current rating: 1.5 Amps max
- Contact resistance: 20 mohms max
- Insulation resistance: 1,000 Mohms min @ 500 VDC
- Dielectric withstanding voltage: 1,000 VAC or 1,500 VDC for 1 minute
- Temperature Rating: Operating Temperature: -40°C to +85°C
- Environmental: Lead free, RoHS compliant.

6

5

4

3

2

1