

6

5

4

3

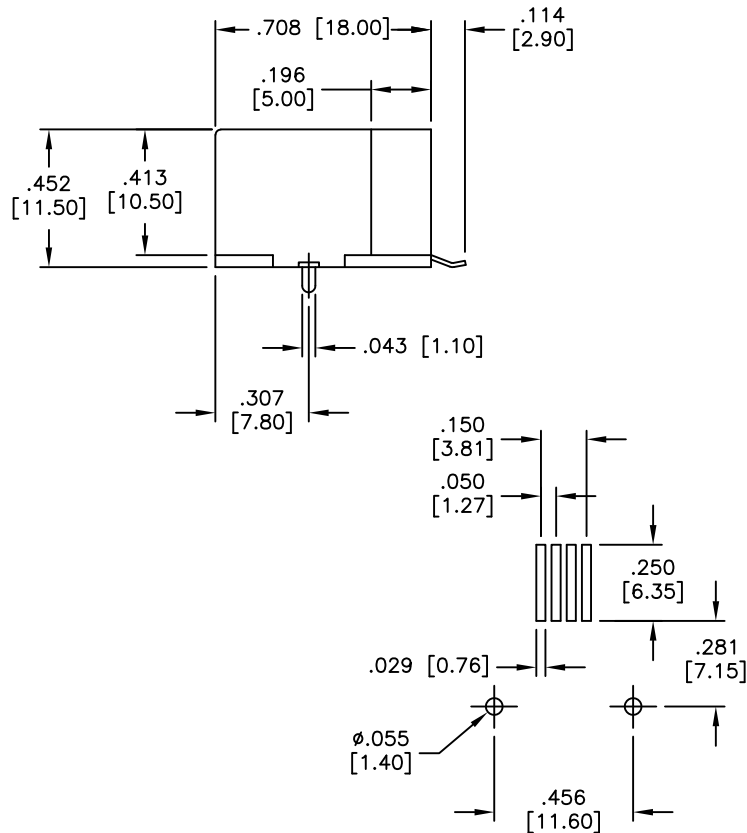
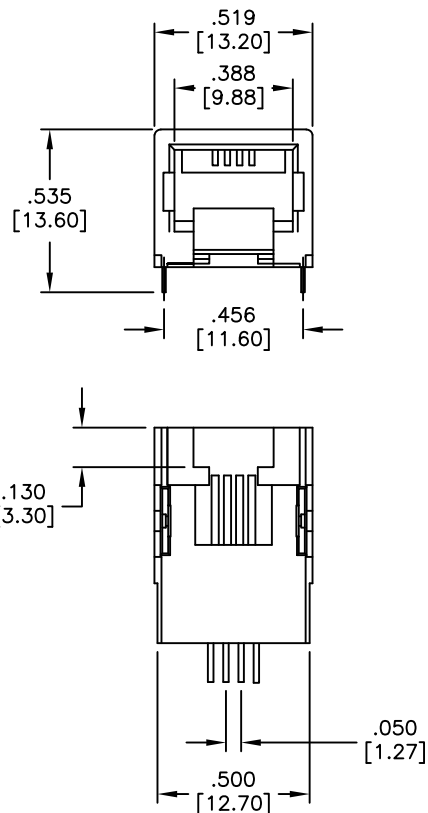
2

1

APPROVED: \_\_\_\_\_

DATE: \_\_\_\_\_ TITLE: \_\_\_\_\_

Rev	AWO #	Description	Date	Appr
-	7129	RELEASED	12/13/06	
A		UPDATE SPEC.	6/20/19	LH/TW



RECOMMENDED PCB LAYOUT

**SPECIFICATIONS:**

**Material:**

Insulator: Hi-temp thermoplastic, rated UL 94V-0

Insulator color: Black

Contacts: Phosphor Bronze

**Contact Plating:**

Gold over Nickel underplate on contact area

Gold flash over Nickel underplate on solder tails

**Electrical:**

Voltage Rating: 150 VAC max

Current rating: 1.5 Amps max

Contact Resistance: 20 mohms max.

Insulation resistance: 500 Mohms min @500 VDC

Dielectric withstanding voltage: 1000 Vrms for 1 minut

**Temperature Rating:**

Operating temperature: -40°C to +85°C

**Environmental:**

Lead free, RoHS compliant.

**Environmental:**

Lead free, RoHS compliant.



UNLESS OTHERWISE SPECIFIED  
 ALL DIMENSIONS ARE MM [INCHES]  
 TOLERANCES: EXCEPT AS NOTED

INCHES		HOLES	
.X	± .10	∅.X	± .10
.XX	± .020	∅.XX	± .015
.XXX	± .015	∅.XXX	± .010

**ADAM TECH**  
**INTERCONNECTS**

909 Rahway Avenue,  
 Union, NJ 07083  
 Phone: 908-687-5000  
 Fax: 908-687-5710

APPROVALS		DATE
DRAWN	BW	12/13/06
CHECKED		
APPROVED		

TITLE TELEPHONE JACK, SMT, SIDE ENTRY, 6P4C		
SIZE X	PART NO. MTJ-64YX1	REV. A
REF: S00065T	SCALE: NTS	SHEET 1 OF 1

6

5

4

3

2

1