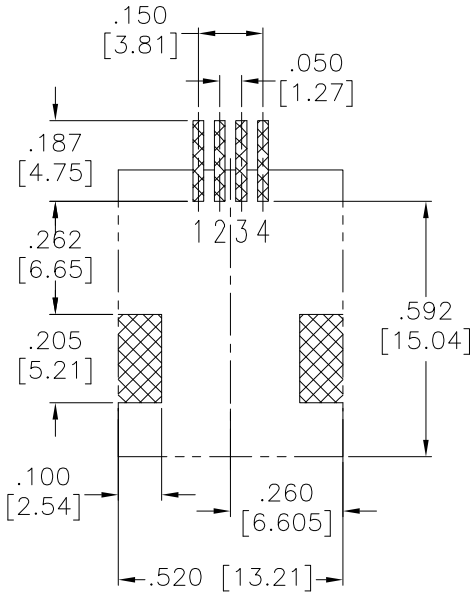
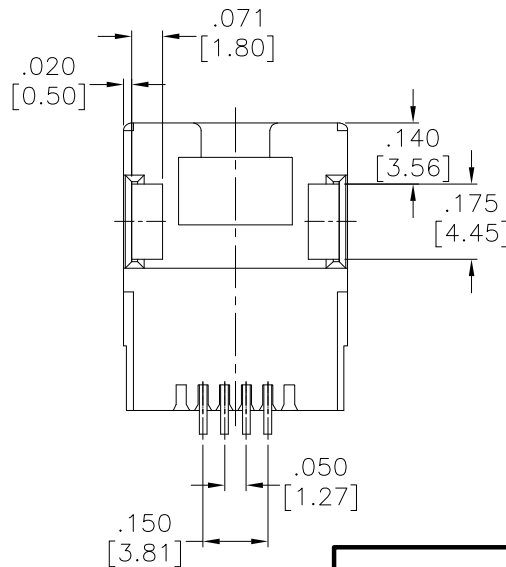
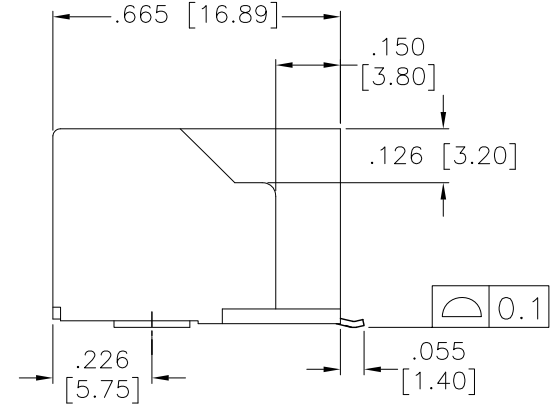
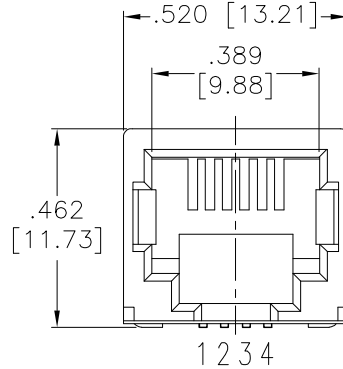


APPROVED: _____
 DATE: _____ TITLE: _____

Rev	AWO #	Description	Date	Appr
-		RELEASED	6/26/06	
A		REDRAWN	9/23/13	AY/KW
B		UPDATE SPEC.	6/20/19	LH/TW



RECOMMENDED PCB LAYOUT



SPECIFICATIONS:

Material:
 Insulator: Hi-temp thermoplastic, rated UL 94V-0
 Insulator color: Black
 Contacts: Phosphor Bronze
 Hold Down: Copper Alloy, Tin plated
Plating:
 Gold over Nickel underplate on contact area
 Gold flash over Nickel underplate on solder tails
Electrical:
 Voltage Rating: 150 VAC max
 Current rating: 1.5 Amps max
 Contact Resistance: 20 mohms max.
 Insulation resistance: 500 Mohms min @500 VDC
 Dielectric withstanding voltage: 1000 Vrms for 1 minut
 Temperature Rating:
 Operating temperature: -40°C to +85°C
Environmental:
 Lead free, RoHS compliant.



UNLESS OTHERWISE SPECIFIED ALL DIMENSIONS ARE INCHES TOLERANCES: EXCEPT AS NOTED INCHES HOLES .X ± .10 Ø.X ± .10 .XX ± .020 Ø.XX ± .015 .XXX ± .015 Ø.XXX ± .010		ADAM TECH INTERCONNECTS		909 Rahway Avenue, Union, NJ 07083 Phone: 908-687-5000 Fax: 908-687-5710	
APPROVALS DRAWN SS CHECKED APPROVED		DATE 6/26/06		TITLE MODULAR TELEPHONE JACK, 6P4C SMT, COLOR BLACK, X GOLD	
SIZE X		PART NO. MTJ-64WAX1		REV. B	
REF: S00065T		SCALE: NTS		SHEET 1 OF 1	