

XT224 Series : SMD Crystal 2.5x2.0 mm 4 Pads

12.000 - 200.000 MHz

## ● SPECIFICATION

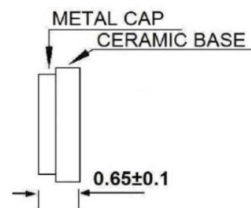
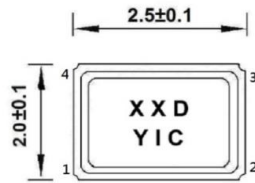
Model	XT224 Series
Frequency range	12.000 ~ 80.000 MHz , 50.000 ~ 200.000 MHz (3rd)
Frequency tolerance	±10 ~ ±30 ppm (at 25°C)
Frequency stability	±10 ~ ±30 ppm (ref. to 25°C)
Operation temperature	-20°C ~ +70°C , - 40°C ~ +85°C , - 40°C ~ +125°C , specify
Storage temperature	- 55°C ~ + 125°C
Load capacitance	8 to 32 pF or specify
Drive Level	10 uW (typ) , 100 uW (max)
Series resistance	See below
Shunt capacitance	3 pF (max)
Aging	±3 ppm / Year (max)

## ● EQUIVALENT SERIES RESISTANCE

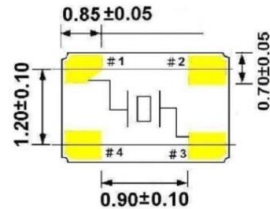
Frequency MHz	Model	ESR
12.000-15.999	Fundamental	150 Ω (max)
16.000-29.999	Fundamental	80 Ω (max)
30.000-80.000	Fundamental	60 Ω (max)
50.000-200.000	3rd	80 Ω (max)

## ● DIMENSIONS (mm)

★ Top View

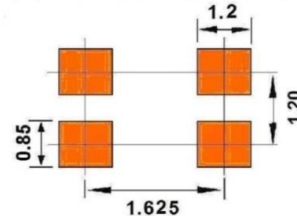


★ Bottom View



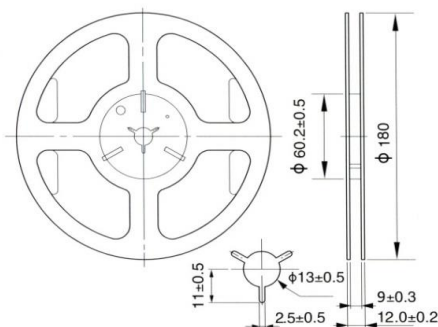
#2 #4 : GND

★ Recommended Land Pattern



UNIT : mm

## ● REEL PACKING(mm)



\* 3000PCS/Reel

## ● TAPE SPECIFICATION(mm)

