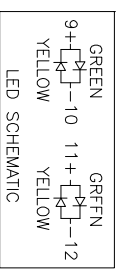
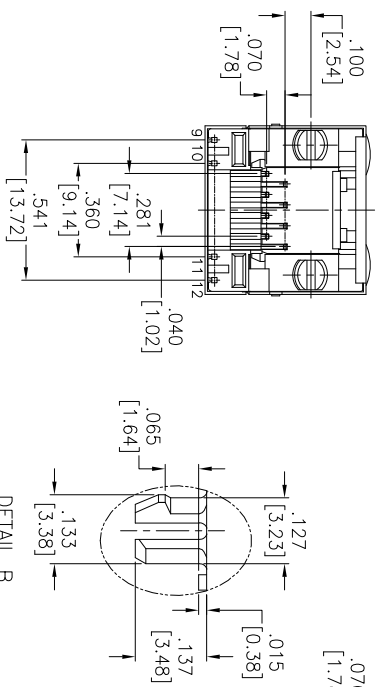
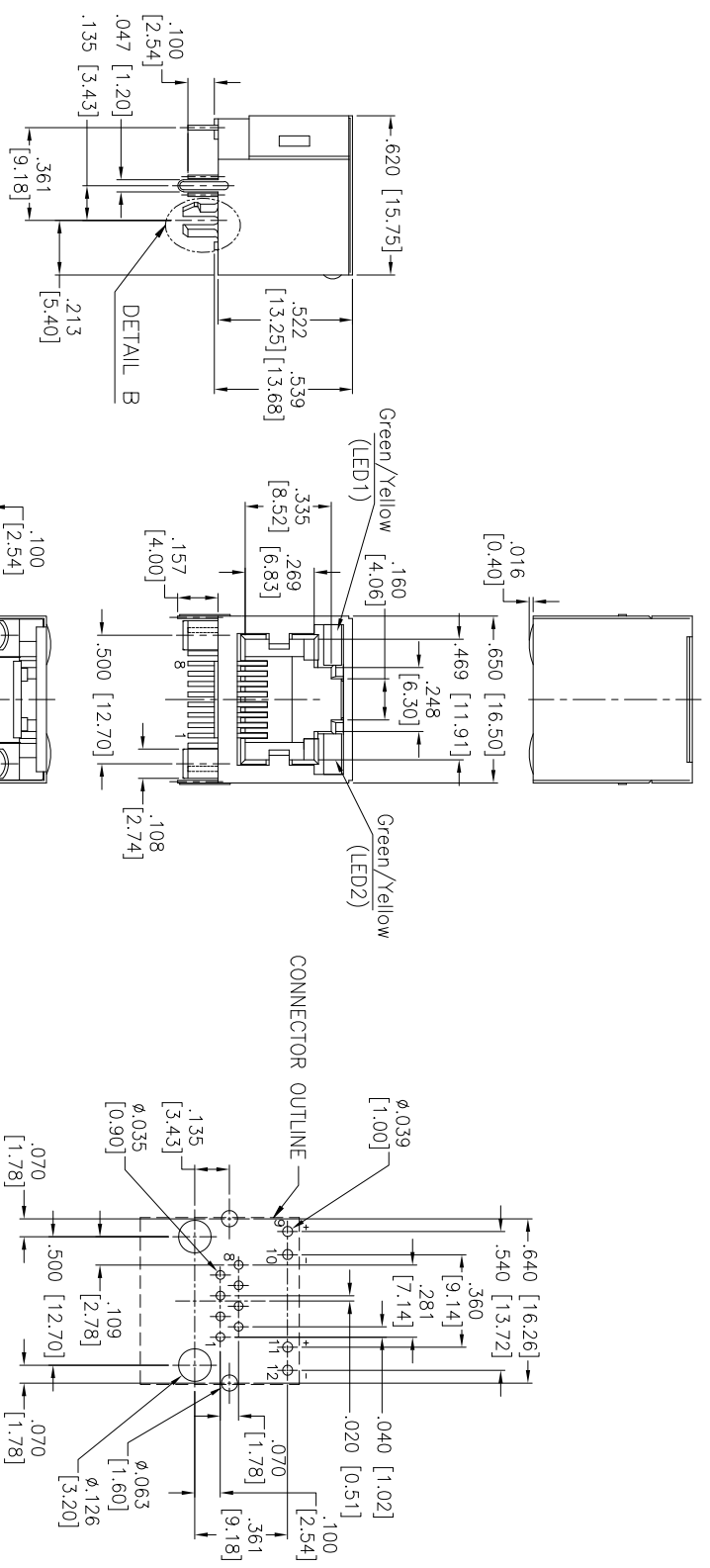


Rev	AWO #	Description	Date	Appr
-		RELEASED	5/14/14	

APPROVED: \_\_\_\_\_  
 DATE: \_\_\_\_\_ TITLE: \_\_\_\_\_



X	PLATING
0	15 $\mu$ m Gold
1	30 $\mu$ m Gold
2	50 $\mu$ m Gold
6	6 $\mu$ m Gold

RECOMMENDED PCB LAYOUT

X	PLATING
0	15 $\mu$ m Gold
1	30 $\mu$ m Gold
2	50 $\mu$ m Gold
6	6 $\mu$ m Gold

RECOMMENDED PCB LAYOUT

**ADAM TECH**

909 Railway Avenue, Union, NJ 07083  
 Phone: 908-687-5000 Fax: 908-687-5710

MODULAR TELEPHONE JACK, 8P8C, R/A  
 W/ LED GREEN/YELLOW

**SPECIFICATIONS:**  
 Material: Insulator: Nylon46, rated UL 94V-0  
 Insulator color: Black  
 Contacts: Phosphor Bronze  
 Shield: Copper alloy, Nickel plated  
**Plating:**  
 Gold flash over Nickel underplate on contact area,  
 Tin over copper underplate on solder tails.  
 (See chart for thickness)  
**Electrical:**  
 Operating voltage: 150 VAC max  
 Current rating: 1 Amps max  
 Contact resistance: 40 mohms max. initial  
 Insulation resistance: 500 Mohms min  
 Dielectric withstanding voltage: 1,000 VAC for 1 minute  
**Temperature Rating:**  
 Operating temperature: -40°C to +85°C  
 Environmental:  
 Lead free, RoHS compliant.



UNLESS OTHERWISE SPECIFIED ALL DIMENSIONS ARE INCHES [MM]	
TOLERANCES: EXCEPT AS NOTED	
INCHES	HOLDS
.X ± .10	ØX ± .10
.XX ± .020	ØXX ± .015
.XXX ± .015	ØXXX ± .010
APPROVALS	DATE
DRAWN AY	5/14/14
CHECKED LW	5/14/14
APPROVED	

REF: S00065T	SCALE: NTS	SHEET 1 OF 1
SIZE X	PART NO. MTJ-88ARX1-FSM-L16	REV.
TITLE: MODULAR TELEPHONE JACK, 8P8C, R/A W/ LED GREEN/YELLOW		

6 5 4 3 2 1