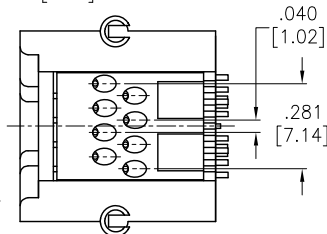
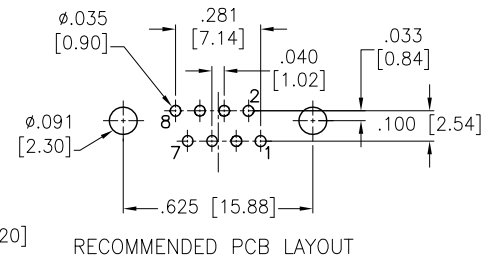
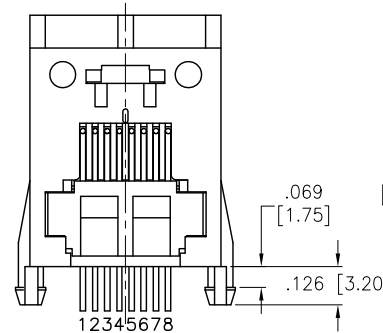
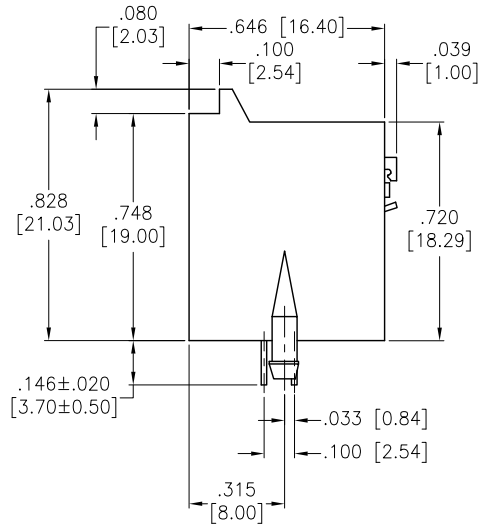
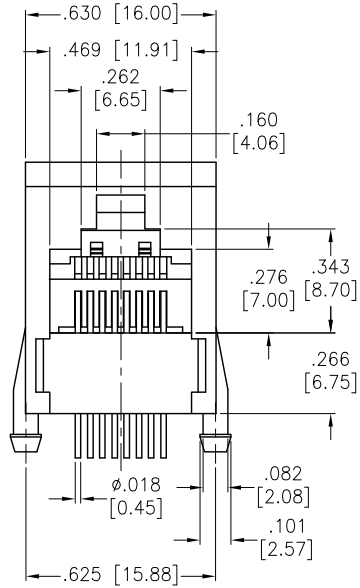


APPROVED: _____
 DATE: _____ TITLE: _____

Rev	AWO #	Description	Date	Appr
-		RELEASED	10/4/04	
A		REVISED SHAPE	9/17/10	
B		REVISED DIM.	07/09/13	
C		REVISED DIM.	7/11/14	AY/LL
D		UPDATE DRAWING	3/10/16	AY/AC



SPECIFICATIONS:
 Material:
 Insulator: Nylon66, Glass fiber, rated UL 94V-0
 Insulator color: Black
 Insert Housing: PBT, Glass fiber, rated UL 94V-0, Color: Black
 Contacts: Phosphor Bronze
 Contacts Plating:
 Round contact
 Gold over Nickel underplate overall
 Flat contact
 Gold over Nickel underplate on contact area,
 Tin over Copper underplate on solder tails
 (See chart for thickness)
 Electrical:
 Operating voltage: 150 VAC max
 Current rating: 1.5 Amps max
 Contact resistance: 20 mΩ Max. initial.
 Insulation resistance: 500 Mohms min
 Dielectric withstanding voltage: 1,000 VAC for 1 minute
 Temperature Rating:
 Operating temperature: -40°C to +85°C
 Environmental:
 Lead free, RoHS compliant.



X	PLATING
0	15 μin Gold
1	30 μin Gold
2	50 μin Gold

UNLESS OTHERWISE SPECIFIED ALL DIMENSIONS ARE INCHES [MM] TOLERANCES: EXCEPT AS NOTED			
INCHES		HOLES	
.X	± .10	Ø.X	± .10
.XX	± .020	Ø.XX	± .015
.XXX	± .015	Ø.XXX	± .010
APPROVALS		DATE	
DRAWN	SS	10/4/04	
CHECKED			
APPROVED			

ADAM TECH			
909 Rahway Avenue, Union, NJ 07083 Phone: 908-687-5000 Fax: 908-687-5710			
TITLE MODULAR TELEPHONE JACK, 8P8C RIGHT ANGLE, PCB TYPE			
SIZE X	PART NO. MTJ-887X1	REV. D	
REF: S00065T	SCALE: NTS	SHEET 1 OF 1	