

PART NUMBER CODING

C02SXNN-S

MODIFICATION
 OMIT = STANDARD
 S328 = BROWN PPS

PLATING

ALL PLATINGS HAVE .000050" MIN NICKEL UNDERPLATE
 S = .000010" GOLD, TYPE II GR C ON CONTACT SURFACE
 M = .000030" GOLD, TYPE II GR C ON CONTACT SURFACE
 D = .000030" GOLD, TYPE III, GR A OVERALL

MATERIAL (INSULATOR / CONTACT)

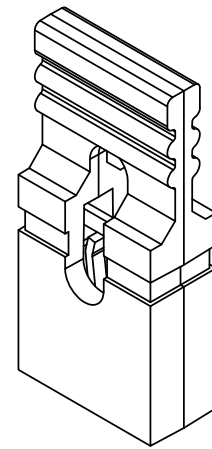
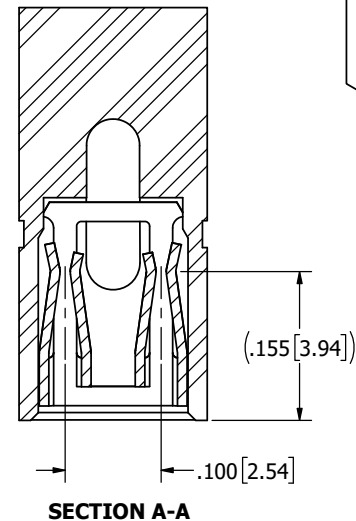
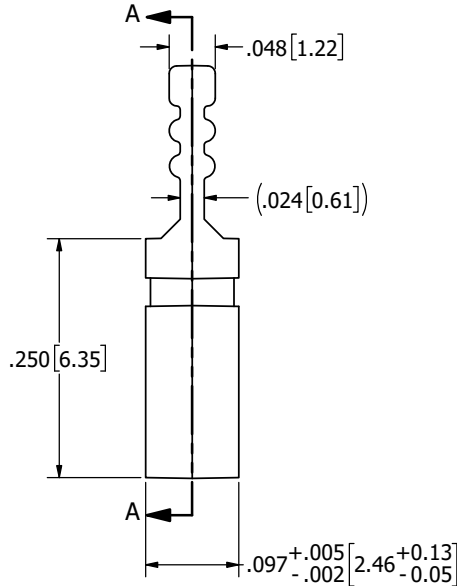
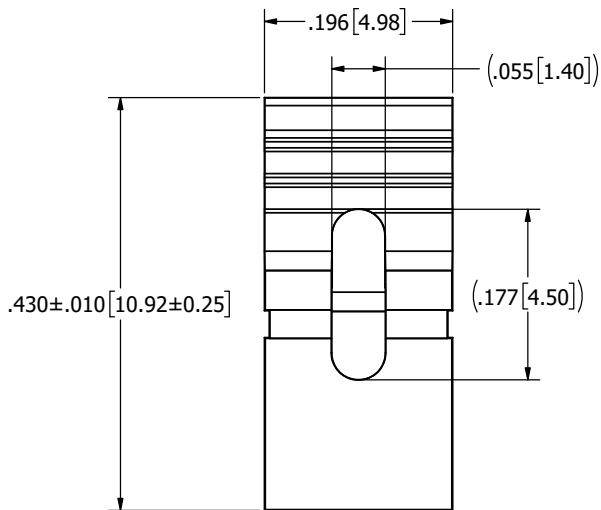
(SEE MATERIAL TABLE)

MATERIAL TABLE

LETTER CODE	INSULATOR / CONTACT	OPERATING TEMP.	MODIFICATION NUMBER
A**	BROWN PPS / BERYLLIUM COPPER	-65°C TO +150°C	S328
F*	GREEN PPS / SPINODAL	-65°C TO +200°C	OMIT
W*	TAN PEEK / BERYLLIUM COPPER	-65°C TO +250°C	OMIT

*AVAILABLE WITH 'D' PLATING ONLY
 **AVAILABLE WITH 'S' OR 'M' PLATING ONLY

REVISIONS				
REV.	ECO. NO	DESCRIPTION	DATE	BY
C	2999	UPDATE THICKNESS FROM .100 TO .097+/- .002	10/2/2014	JHSU
D	3241	UPDATE THICKNESS TOLERANCE TO +.005/- .002 (WAS +/- .002)	6/2/2015	MG
E	4769	REMOVE 'J' & 'M' MATERIAL	2/5/2024	JH



NOTES:

- INSULATOR MATERIAL: SEE PART NUMBER CODING
- CONTACT MATERIAL: SEE PART NUMBER CODING
- PLATING: SEE PART NUMBER CODING
- OPERATING TEMPERATURE: SEE PART NUMBER CODING
- UL FLAMMABILITY RATING: 94V-0
- DIELECTRIC WITHSTANDING VOLTAGE: 1000 VAC
- CURRENT RATING: 3 AMP
- CONTACT RESISTANCE: 30 MILLI OHMS MAX
- INSULATION RESISTANCE: 1000 MEGA OHMS
- DOUBLE TUNING FORK TYPE CONTACT, ACCOMMODATES .025" SQ. POST.



RoHS COMPLIANT

UNLESS OTHERWISE SPECIFIED:
 DIMENSIONS ARE IN INCHES (MM)

TOLERANCES:
 ANGULAR: ± 1°

DECIMALS
 .XX = ± .02 [.5]
 .XXX = ± .005 [.13]
 .XXXX = ± .0005 [.013]

DRAWN	DATE	NAME	SULLINS CONNECTOR SOLUTIONS		
TT	6/18/13	TT	TITLE: .100" PITCH HI-TEMP SHUNT WITH HANDLE		
THE INFORMATION HEREIN CONTAINS PROPRIETARY INFORMATION OF SULLINS ELECTRONICS AND IS NOT TO BE REPRODUCED, USED OR DISCLOSED TO OTHERS FOR ANY PURPOSE EXCEPT AS SPECIFICALLY AUTHORIZED IN WRITING BY AN OFFICER OF SULLINS ELECTRONICS.			PART NUMBER: C02SXNN-(S328)		
SIZE	CAGE CODE	DWG. NO.	REV		
C	54453	C12234	E		
SCALE: 10:1			SHEET 1 OF 1		

CUSTOMER COPY