

PART NUMBER CODING

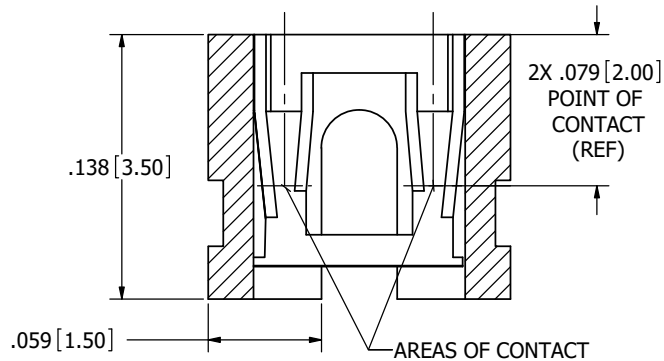
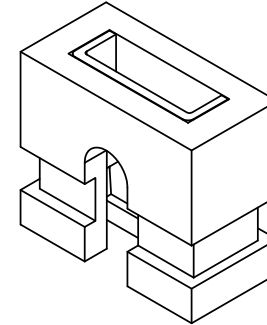
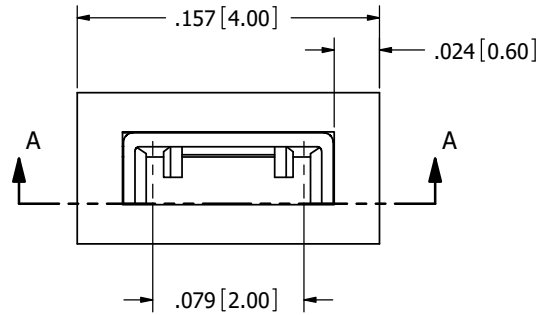
S_N02SYBN-RC

PLATING

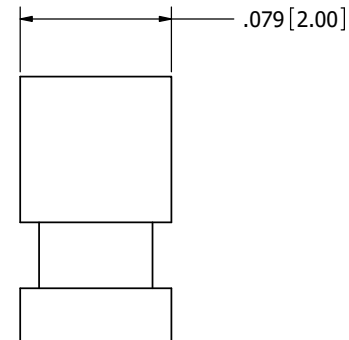
P = GOLD FLASH, NICKEL UNDERPLATE OVERALL.

T = PURE TIN, COPPER UNDERPLATE OVERALL.

REVISIONS				
REV.	ECO. NO	DESCRIPTION	DATE	BY
D	1764	UPDATE FORMAT, TOLERANCE, DEFINE CONTACT AREA	07/23/08	ASK
E	1903	UPDATE TOLERANCE BLOCK, SPECIFICATION 20 MILLI OHMS WAS 20 MEGA OHMS	1/23/09	JH
F	4786	REMOVE DWV & OPERATING VOLTAGE NOTES	6/26/2024	JH



SECTION A-A



NOTES:

1. INSULATOR MATERIAL: PBT, BLACK
2. CONTACT MATERIAL: PHOSPHOR BRONZE.
3. PLATING: SEE PART NUMBER CODING.
4. OPERATING TEMPERATURE: -55°C TO +105°C.
5. UL FLAMMABILITY RATING: 94V-0.
6. CURRENT RATING: 1 AMP PER CONTACT.
7. CONTACT RESISTANCE: 20 MILLI OHMS MAX.
8. INSULATION RESISTANCE: 5000 MEGA OHMS.



RoHS COMPLIANT

UNLESS OTHERWISE SPECIFIED: DIMENSIONS ARE IN INCHES (MM)		DRAWN	DATE	NAME	
			7/16/2024	LH	
TOLERANCES: ANGULAR: ± 1° DECIMALS .XX = ± .012 [.30] .XXX = ± .008 [.20] .XXXX = ± .004 [.10]					THE INFORMATION HEREIN CONTAINS PROPRIETARY INFORMATION OF SULLINS ELECTRONICS AND IS NOT TO BE REPRODUCED, USED OR DISCLOSED TO OTHERS FOR ANY PURPOSE EXCEPT AS SPECIFICALLY AUTHORIZED IN WRITING BY AN OFFICER OF SULLINS ELECTRONICS.
TITLE					MINI SHUNT, OPEN TOP
PART NUMBER					S_N02SYBN-RC
SIZE	CAGE CODE	DWG. NO.	REV		
C	54453	10631	F		
SCALE: 32:1				SHEET 1 OF 1	