

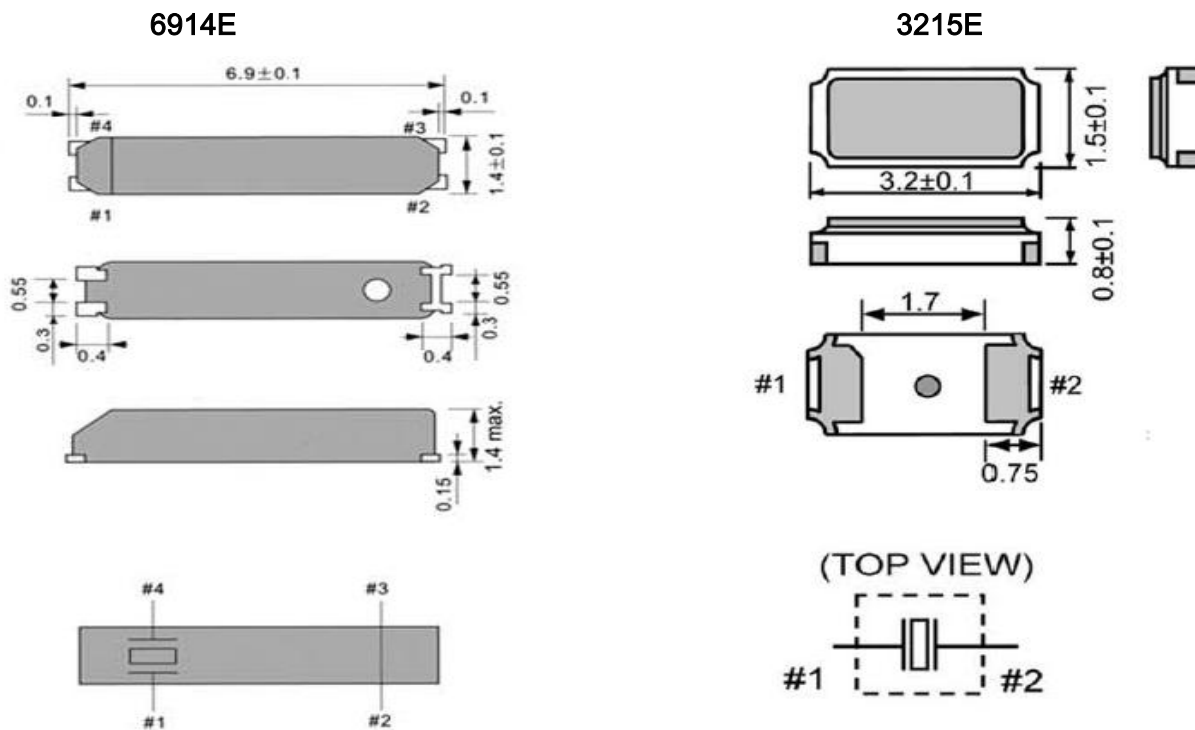
6914E, 3215E: Tuning Fork SMD Quartz Crystal **32.768 KHz**

● SPECIFICATION

Type	6914E	3215E
Frequency Range	32.768 KHz	
Load Capacitance	7 pF, 12.5 pF, specify	6 pF, 7 pF, 9pF, 12.5pF
Drive Level	0.1±0.01 μW (typ) , 0.5uW (max)	
Frequency Tolerance	±20 ppm (at 25°C)	
Series Resistance	65 KΩ (max)	70 KΩ (max)
Turnover Temperature	25°C±5°C	
Temperature Coefficient	-0.035±0.01ppm/C ² (max)	
Operating Temperature Range	-40°C ~ +85°C	-40°C ~ +85°C , -40°C ~ +105°C
Storage Temperature Range	-55°C ~ +125°C	
Motional Capacitance	2.0 fF (typ)	4.7 fF (typ)
Shunt Capacitance	0.85 pF (typ)	1.1 pF (typ)
Insulation Resistance	500 MΩ (min)	500 MΩ (min)
Aging	±3 ppm / Year (Max)	

Soldering the body of the cylinder type crystal units with PCB Must be avoided due to deteriorate the characteristics or damage the products.

● DIMENSIONS (mm)



● RECOMMENDED LAND PATTEM

