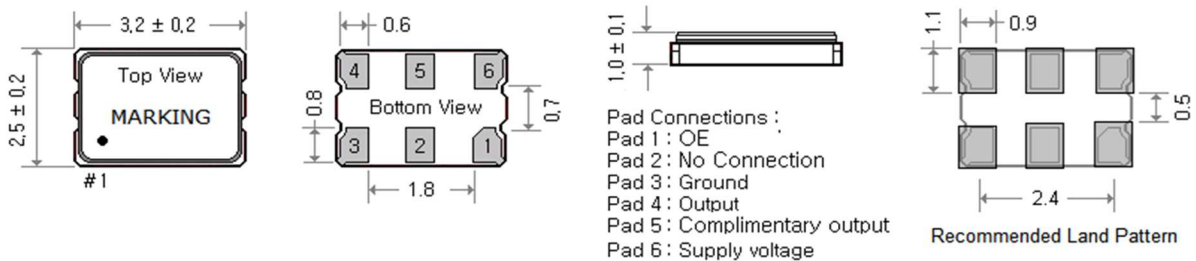


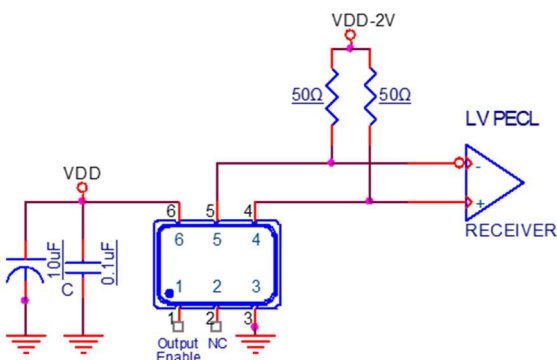
## ● SPECIFICATION

|                                       |  |       |        |                  |        |         |       |
|---------------------------------------|--|-------|--------|------------------|--------|---------|-------|
| Model                                 | OSCLP-S3 Series  |       |        |                  |        |         |       |
| Power supply voltage                  | 2.5V DC $\pm$ 5%   |       |        | 3.3V DC $\pm$ 5% |        |         |       |
| Output level                          | LVPECL   |       |        |                  |        |         |       |
| Frequency range                       | 13.500 ~ 220.000 MHz   |       |        |                  |        |         |       |
| Storage temperature range             | - 55°C ~ + 125°C   |       |        |                  |        |         |       |
| Operation temperature range           | - 20°C ~ + 70°C , - 40°C ~ + 85°C , - 40°C ~ + 125°C , specify |       |        |                  |        |         |       |
| Frequency stability                   | $\pm$ 25 ppm ~ $\pm$ 100 ppm                                   |       |        |                  |        |         |       |
| Current consumption                   | 30 mA (typ) , 50 mA (max)                                      |       |        |                  |        |         |       |
| Output Load                           | 50 $\Omega$  |       |        |                  |        |         |       |
| Output voltage level (VOH)            | Vcc -1.025V (min)  |       |        |                  |        |         |       |
| Output voltage level (VOL)            | Vcc - 1.62V (max)  |       |        |                  |        |         |       |
| Start-up Time                         | 5 mS (typ) , 10 mS (max)                                       |       |        |                  |        |         |       |
| Duty cycle                            | 45% ~ 55%  |       |        |                  |        |         |       |
| Enable input voltage (VIH)            | 1.750V (min)   |       |        | 2.310V (min)     |        |         |       |
| Disable input voltage (VIL)           | 0.750V (max)   |       |        | 0.990V (max)     |        |         |       |
| RISE / FALL TIME (20% / 80%)          | 0.3 nS (typ) , 0.6 nS (max)                                    |       |        |                  |        |         |       |
| Phase Jitter RMS (12KHz~20KHz)        | 0.2 pS (typ) , 0.5 pS (max)                                    |       |        |                  |        |         |       |
| SSB Phase Noise [ dBc / Hz ( typ. ) ] | Offset   | 10 Hz | 100 Hz | 1 KHz            | 10 KHz | 100 KHz | 1 MHz |
|                                       | 62.5 MHz   | -50   | -82    | -116             | -138   | -144    | -149  |
|                                       | 156.250 MHz  | -50   | -80    | -115             | -135   | -142    | -147  |
| AGING                                 | $\pm$ 3ppm / Year (max)  |       |        |                  |        |         |       |

## ● DIMENSIONS (mm)



## ● TEST CIRCUIT



## ● OUTPUT WAVEFORM

