



# XM122 IoT Module

## Datasheet v2.2

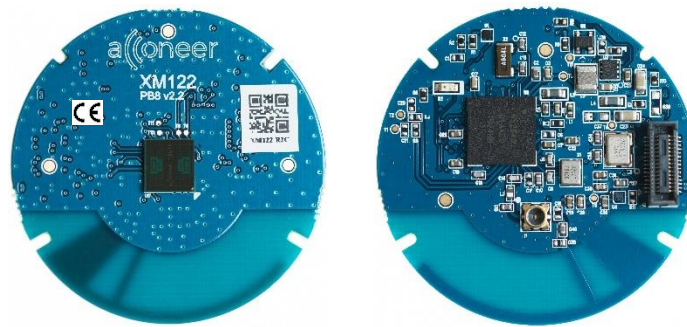


## Abstract

The XM122 is a reference module with optimized formfactor that can be used to support customer in their own design for commercial use, for evaluation and development purpose.

The XM122 is built around the nRF52840 Bluetooth® 5 SoC (System on Chip) from Nordic Semiconductor and features an integrated antenna for Bluetooth connectivity.

The XM122 can be used as a stand-alone module where customer can embed their application on top of the Acconeer RSS (Radar System Software). It can also be used as with an external host controller where communication to the module is through a register command protocol.



*Figure 1. XM122 Top view (left) and XM122 bottom view (right).*



## Table of Content

1	Revision History .....	4
2	Functional description .....	5
2.1	Overview .....	5
2.2	Product features .....	5
2.3	Block diagram .....	6
2.4	Module board connector and pin description .....	7
2.5	Not mounted battery connector support .....	8
2.6	Software options .....	9
2.7	MAC addresses .....	9
3	Interfaces .....	10
3.1	Module supply input .....	10
3.2	System functions .....	10
3.3	Serial interfaces .....	10
3.4	Digital I/O interfaces .....	10
3.5	Analog I/O interfaces .....	10
3.6	Module reset .....	10
3.7	Debug interface .....	10
4	Electrical specifications .....	11
4.1	Absolute maximum ratings .....	11
4.2	Recommended operating conditions .....	11
4.3	Power consumption summary .....	12
4.4	RF specification .....	13
5	Reference design description XM122 R2C .....	14
5.1	Schematics & BOM .....	14
5.2	Component Placement Drawing .....	20
6	Reference design description XM122 R2D .....	22
6.1	Schematics & BOM .....	22
6.2	Component Placement Drawing .....	28
7	Mechanical specifications .....	30
8	Regulatory Approval .....	32
8.1	ETSI .....	32
9	Reference documents .....	33
10	Abbreviations .....	34
	Disclaimer .....	35



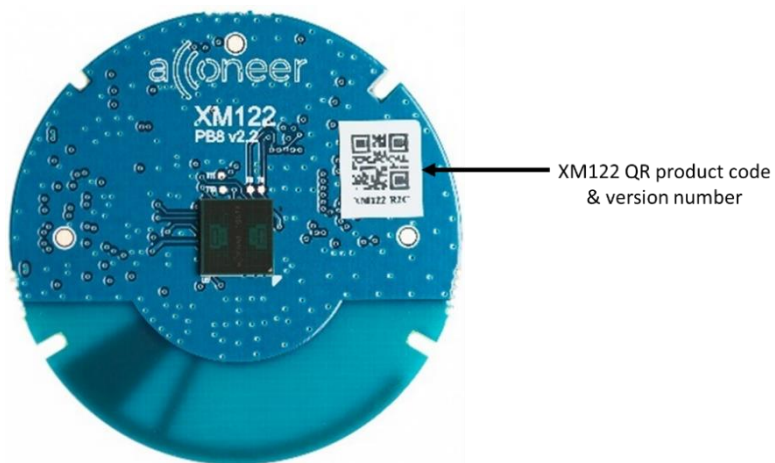
# 1 Revision History

Revision	Comment
v1.0	Released version.
v2.0	Added chapter 6, Reference design description for XM122 R2D. Added chapter 2.5, No mounted battery connector support.
v2.1	Added chapter 8, Regulatory approval, CE marking.
v2.2	Updated Table 6.1.

This document applies to the following product:

Product name	Part number
XM122	XM122

## XM122 marking:





## 2 Functional description

### 2.1 Overview

The XM122 comes with Nordic nRF52840 SoC and A111 Pulsed Coherent Radar (PCR) sensor, see ref [1]. The Nordic nRF52840 supports Bluetooth 5/Bluetooth Mesh/Thread/Zigbee/802.15.4/ANT/2.4 GHz.

The XM122 is delivered with a bootloader enabling customer to download Acconeer RSS software including SDK (Software Development Kit) for stand-alone usage where customer can embed their own application on top of Acconeer RSS software. Acconeer RSS software provides API to set A111 sensor configuration and to retrieve supported radar services and detector data.

XM122 offers support as well to act as controlled by external host through register command protocol on UART, SPI and I2C.

### 2.2 Product features

The XM122 is an IoT module based on Acconeer A111 pulsed coherent radar (PCR) and the Nordic nRF52840 SoC.

XM122 features:

- The A111 60 GHz Pulsed Coherent radar (PCR) with integrated baseband, RF front-end and Antenna in Package (AiP).
- Low power connected radar module.
- The nRF52840 protocol stack support for Bluetooth 5, Bluetooth mesh, Thread, Zigbee, 802.15.4, ANT and 2.4 GHz proprietary stacks and is built around the 64 MHz ARM® Cortex™-M4 CPU with 256 KB SRAM and 1 MB Flash.
- Integrated 2.4 GHz antenna with support for external 2.4 GHz antenna.
- Optional NFC antenna support for quick Bluetooth pairing via the PCB test points.
- Optimized circular form factor with a diameter of 33 mm.
- Wide single supply operating voltage range 2.0 V to 5.5 V.
- Operating temperature -40° to 85°C.
- External I/F support - SPI, UART, I2C, GPIO, Reset.
- SWD/JTAG for SW flash and debug.

The XM122 can be used for accurate distance measurement, tank level measurement, waste bin level measurement, parking space occupancy and presence detection:

- High precision distance measurements with configurable update frequency.
- Measures absolute range up to 7 m with an absolute accuracy in mm.
- Measures relative accuracy in 42 µm (using RSS software IQ service).
- Possible to recognize movement of multiple objects.

Easy integration:

- XM122 can be integrated behind plastic or glass without any need for a physical aperture. See ref [6] *User guide – Sensor Integration Electromagnetic Scattering* for more information.



## 2.3 Block diagram

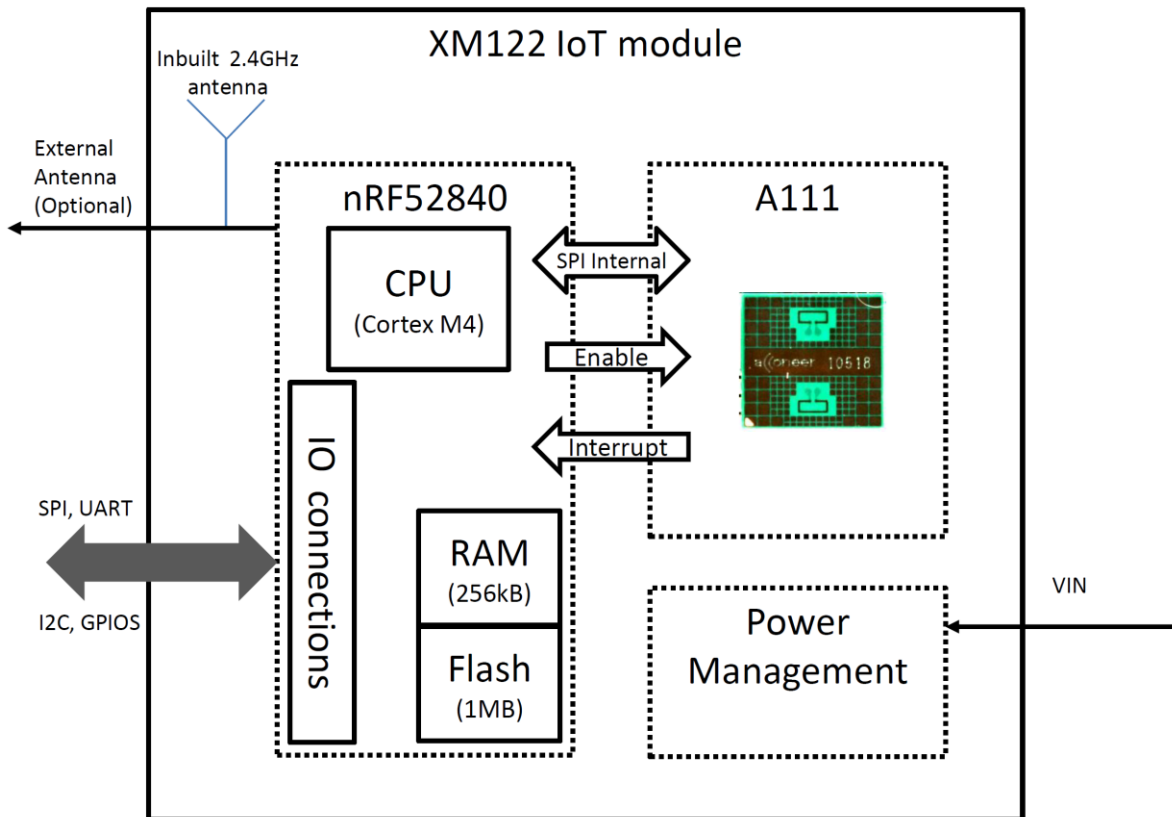


Figure 2.1. XM122 block diagram.

The XM122 block diagram shows the A111 60 GHz PCR radar connected to the nRF52840 microcontroller. The module provides a pin connector where the MCU external I/F are accessible including single voltage supply.



## 2.4 Module board connector and pin description

The board to board connector provides the external interface to the module. Figure 2.2 shows the connector footprint and Table 2.1 describes each signal.

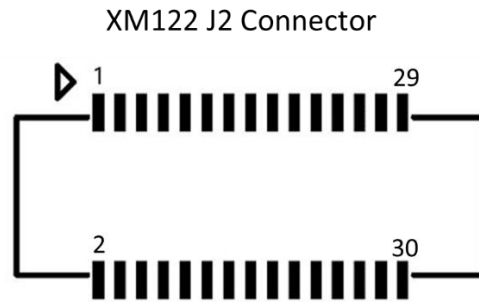


Figure 2.2. XM122 J2 connector footprint.

Pin Number	Signal	Description	nRF52840* pin
1	GPIO		P0.23
2	GND	Ground	-
3	GND	Ground	-
4	VIN	2.0-5.5 V external power supply. Pin 4 and Pin 6 are interconnected.	-
5	GPIO		P0.21
6	VIN	2.0-5.5 V external power supply. Pin 4 and Pin 6 are interconnected.	-
7	GND	Ground	-
8	GND	Ground	-
9	GPIO		P0.24
10	GPIO	Configurable as Analog Input.	P0.04
11	GND	Ground	-
12	GPIO	Configurable as JTAG Trace signal.	P0.11 TRACEDATA2
13	GPIO		P0.22
14	GPIO	Configurable as JTAG Trace signal.	P0.12 TRACEDATA1
15	GND	Ground	-
16	VDD	Regulated 1.8 V output voltage.	-
17	GPIO/UART_RX	Default configuration in Acconeer Module server SW is UART. Could also be used as miscellaneous GPIO.	P0.06
18	GPIO, nRESET	nRF52840 reset pin.	P0.18 nRESET



19	GPIO/UART_TX	Default configuration in Acconeer Module server SW is UART. Could also be used as miscellaneous GPIO.	P0.16
20	SWDIO	SWD interface for flash and debug.	SWDIO
21	GND	Ground	-
22	GPIO, SWO	SWD interface for flash and debug. Configurable as JTAG Trace signal.	P1.00 TRACEDATA0
23	GPIO	Configurable as JTAG Trace signal.	P0.07 TRACECLK
24	GND	Ground	-
25	GPIO	Configurable as JTAG Trace signal.	P1.09 TRACEDATA3
26	SWDCLK	SWD interface for flash and debug.	SWDCLK
27	GPIO/UART_RTS	Default configuration in Acconeer Module server SW is UART. Could also be used as miscellaneous GPIO.	P0.20
28	GND	Ground	-
29	GPIO/UART_CTS	Default configuration in Acconeer Module server SW is UART. Could also be used as miscellaneous GPIO.	P0.19
30	GPIO, DFU	Device Firmware Upgrade. Set low during reset to enter bootloader mode. Could also be used as miscellaneous GPIO.	P0.25

Table 2.1. J2 connector pinout.

## 2.5 Not mounted battery connector support

Not mounted battery connector (Reference Designator J3) supported on XM122 R2D PCB. See chapter 6 schematics for further information. Example of compatible battery connectors:

- Vertical Amphenol 10114828-10102LF
- Horizontal Amphenol 10114828-10102LF
- Horizontal Molex 532617002





## 2.6 Software options

The XM122 module can be used in two regimes:

- **Stand-alone module:** The module operates as an independent system. The application is customized to a specific use case by the customer and runs on the embedded MCU. The customer's application is accessing the RSS API.
- **Controlled module:** The module is connected to an external host where the customer runs their application software. The customer is accessing the RSS API via a hardware interface through the module server, that provides register command protocol. The module output is either detector output data or service radar data through the XM122 external interfaces such as SPI, UART and I2C.

Using the XM122 as stand-alone module Acconeer offers SDK that provides RSS, hardware abstraction layer, device drivers and build system. Based on SDK it is possible for the customer to develop their own application. Both RSS and applications run on the embedded MCU.

Using the XM122 as Controlled module Acconeer provides SW image including RSS and module server application that provides hardware interface accessing the RSS API through a register command protocol, see ref [3].

For further software information, see XM122 IoT Module Evaluation Kit User guide, ref [2].

## 2.7 MAC addresses

The XM122 module comes with a Static Random Bluetooth Address provided by the Nordic nRF52840 SoC. This address is assigned randomly during manufacturing. This static address can be used for evaluation.



## 3 Interfaces

### 3.1 Module supply input

The XM122 support external single power supply for battery power applications, see table 4.2 recommended operating conditions.

Note that supply voltage conditions (E.g. slew rate) need to be taken into consideration according to nRF52840 datasheet, ref [5].

### 3.2 System functions

The XM122 IoT module supports system power states, see XM122 Module Software User guide, Ref [3] for further information.

Module RESET is supported by activating NRST pin (active low).

Module ERASE is used to reinitialize the MCU Flash content and some of its NVM (Non-Volatile Memory) bits to an erased state. See nRF52840 datasheet, ref [5] for further information.

### 3.3 Serial interfaces

The XM122 nRF52840 GPIO pins can be configured to support up to two UART, up to four SPI master or three SPI slave and up to two I2C compatible 2-wire master/slave external serial interfaces. See table 2.1 for HW configuration. See also nRF52840 datasheet, ref [5] for further information.

### 3.4 Digital I/O interfaces

The XM122 module support General Purpose IOs (GPIOs), 16 GPIOs are available. The GPIO pins are configurable for different functions, only the debug and RESET pins are fixed to specific GPIOs. See table 2.1 for HW configuration. See also nRF52840 datasheet, ref [5] for further information.

### 3.5 Analog I/O interfaces

The XM122 module support one analog input (pin 10 on XM122 connector J2) and up to four individual PWM outputs which can be assigned to any of the GPIO pins. See table 2.1 for HW configuration.

### 3.6 Module reset

The XM122 has an external reset option (Pin 18 on XM122 connector J2) that can be configured as a GPIO or RESET input.

### 3.7 Debug interface

The XM122 has 7 debug pins, SWDIO, SWDCLK and Trace signals. TRACE signals reuse GPIO pins. See table 2.1 for HW configuration.



## 4 Electrical specifications

### 4.1 Absolute maximum ratings

The below table shows the XM122 absolute maximum ratings over operating temperature range, unless otherwise noted:

Parameter	Description	Min.	Max.	Unit
V <sub>IN</sub>	power supply	-0.3	6.0	V
I/O	Voltage on I/O pins	-0.3	2.1	V
T <sub>OP</sub>	Operating temperature range	-40	85	°C
T <sub>STG</sub>	High temperature storage		125	°C

Table 4.1. Absolute maximum ratings.

Stresses beyond those listed in table 5.1 may cause permanent damage to the device. These are stress ratings only and functional operation of the device at these conditions or at any other conditions beyond those indicated under Recommended Operating Conditions is not implied. Exposure to absolute-maximum-rated conditions for extended periods of time may affect device reliability.

### 4.2 Recommended operating conditions

The below table shows the XM122 recommended operating conditions:

Parameter	Min.	Typ.	Max.	Unit
V <sub>IN</sub> , operating power supply voltage <sup>1)</sup>	2.0		5.5	V
I/O operating range	0		1.8	V
Operating temperature <sup>1)</sup>	-40		85	°C

Table 4.2. Recommended operating conditions.

<sup>1)</sup> Minimum battery voltage depends on battery internal resistance and temperature.



### 4.3 Power consumption summary

The below table summarizes the XM122 power consumption, maximum current ratings and average current ratings at power terminal at  $T_A = 25^\circ\text{C}$  and 2.0 V/3.0 V supply:

Parameter	Min.	Typ.	Max.	Unit
Average power consumption, 2.0 V supply, 0.1 Hz update rate		0.07 <sup>(1)</sup>		mW
Average power consumption, 3.0 V supply, 0.1 Hz update rate		0.08 <sup>(1)</sup>		mW
Average power consumption, 2.0 V supply, 1 Hz update rate		0.66 <sup>(1)</sup>		mW
Average power consumption, 3.0 V supply, 1 Hz update rate		0.67 <sup>(1)</sup>		mW
Average power consumption, 2.0 V supply, 10 Hz update rate		6.43 <sup>(1)</sup>		mW
Average power consumption, 3.0 V supply, 10Hz update rate		6.51 <sup>(1)</sup>		mW
Idle current		3.75 <sup>(2)</sup>		$\mu\text{A}$

Table 4.3. Average power dissipation ratings at power terminal.

<sup>1</sup> Measuring window set to 0.6m, configuration with Envelope service, maximize SNR profile used. Bluetooth advertisement according to given update rate.

<sup>2</sup> Sensor is powered off and nRF52840 is in sleep mode (System ON) with full RAM retention and wake-up on RTC enabled.



## 4.4 RF specification

The below table shows the XM122 A111 PCR RF specification:

Parameter	Min.	Typ.	Max.	Unit
Center frequency fc		60.5		GHz
EIRP (Equivalent Isotropically Radiated Power)			10	dBm
TX HPBW (Half Power Beam Width), elevation plane <sup>(1)</sup>		45		degrees
TX HPBW (Half Power Beam Width), horizontal plane <sup>(1)</sup>		70		degrees

Table 4.4. XM122 RF specification.

<sup>(1)</sup> Based on simulation

The XM122 support Bluetooth v5 including BLE, mesh, long range and advertising extensions.

The below table shows the XM122 Bluetooth radio performance:

Parameter	Min.	Typ.	Max.	Unit
Frequency (40 channels)	2.4		2.48	GHz
Data rate		2		Mbps
Total radiated power (TRP)		5.5		dBm
Conducted RX sensitivity (BLE)		-97		dBm
Conducted RX sensitivity (Long range)		-101		dBm
Conducted total link budget		-109		dBm

Table 4.5. XM122 Bluetooth radio performance.



## 5 Reference design description XM122 R2C

### 5.1 Schematics & BOM

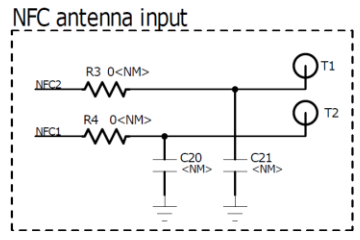
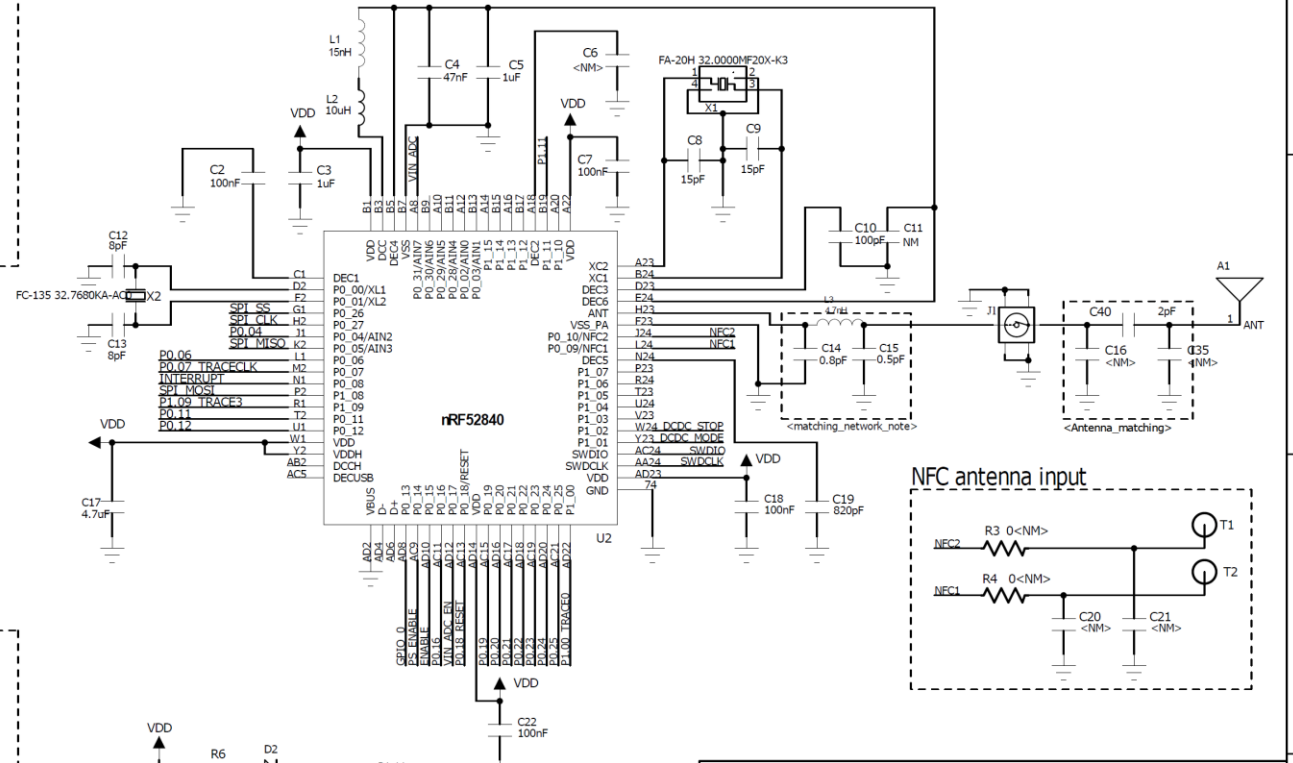
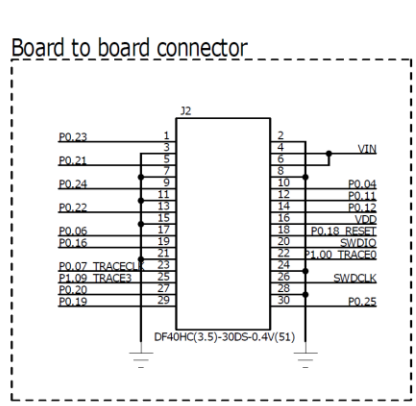
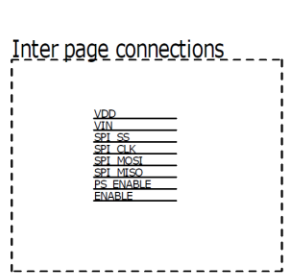
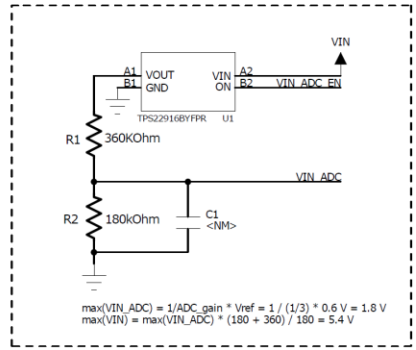
The following pages include the module schematics and bill of materials:



# XM122 IoT Module Datasheet, v2.2

6 5 4 3 2 1

REVISION RECORD			
LTR	ECO NO:	APPROVED:	DATE:



COMPANY: <b>Acconeer AB</b>			
TITLE: <b>XM122</b>			
DRAWN: <b>Hokkai</b>	DATED:	CODE:	SIZE: <b>A3</b>
CHECKED:	DATED:	DRAWING NO:	REV: <b>v2.2</b>
QUALITY CONTROL:	DATED:	SHEET: 1 OF 3	
RELEASED:	DATED:	SCALE:	



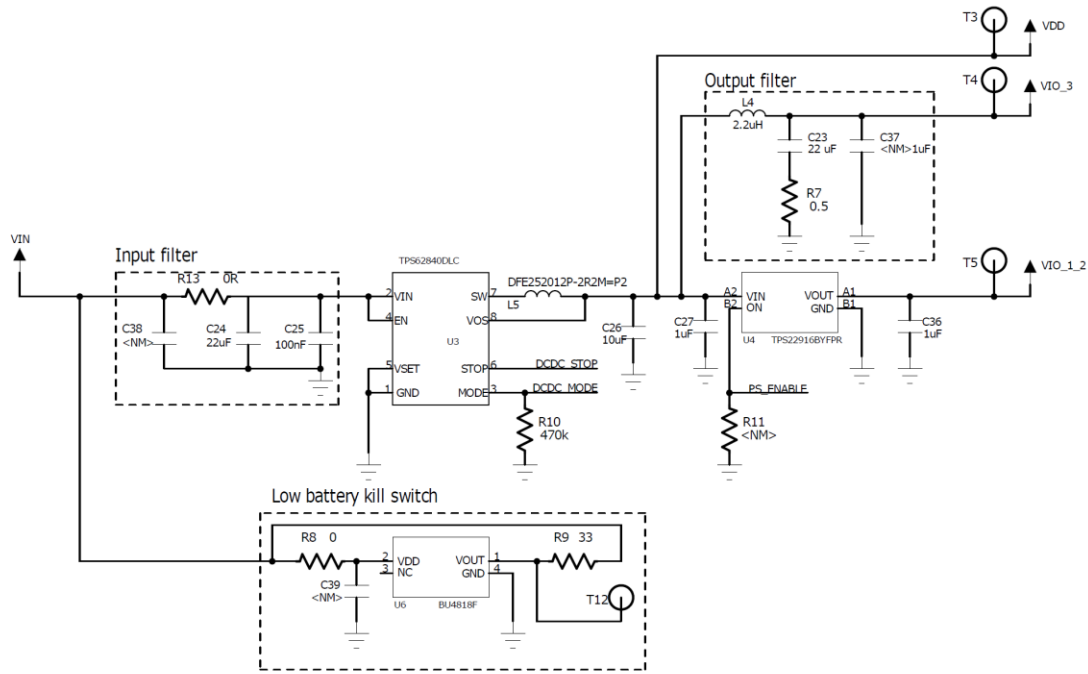
XM122 IoT Module  
Datasheet, v2.2

6 5 4 3 2 1

REVISION RECORD			
LTR	ECO NO:	APPROVED:	DATE:



Power supply



COMPANY:				Acconeer AB			
TITLE:				XM122			
CODE:	SIZE:	DRAWING NO:		REV:			
	A3			v2.2			
SCALE:				SHEET: 2 OF 3			

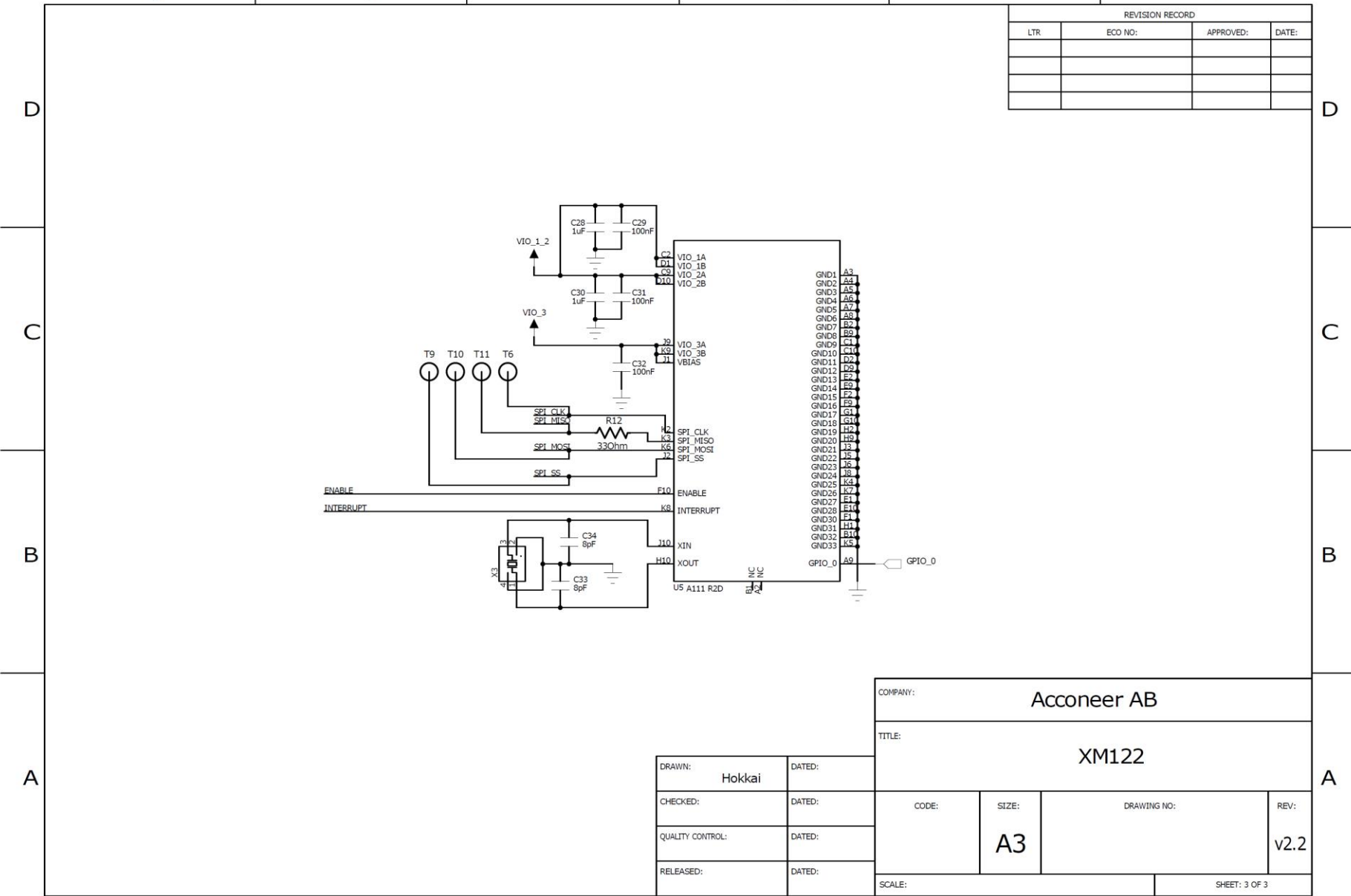
DRAWN:	Hokkai	DATED:	
CHECKED:		DATED:	
QUALITY CONTROL:		DATED:	
RELEASED:		DATED:	





# XM122 IoT Module Datasheet, v2.2

6                      5                      4                      3                      2                      1



REVISION RECORD			
LTR	ECO NO:	APPROVED:	DATE:

COMPANY: <b>Acconeer AB</b>			
TITLE: <b>XM122</b>			
CODE:	SIZE:	DRAWING NO:	REV:
	<b>A3</b>		<b>v2.2</b>
SCALE:			SHEET: 3 OF 3

DRAWN: <b>Hokkai</b>	DATED:
CHECKED:	DATED:
QUALITY CONTROL:	DATED:
RELEASED:	DATED:



## Bill of Material

Table 5.1 shows the BOM for XM122.

Component Ref.	Specification	QTY	Value	Comment
C10	NP0,C0G/1005	1	100 pF	
C12, C13, C33, C34	NP0,C0G/1005	4	8 pF	
C14	C0G/1005	1	0.75 pF	
C15	C0G/1005	1	0.5 pF	
C17	X5R/1005	1	4.7 uF	
C19	NP0/1005	1	820 pF	
C2, C7, C18, C22, C25, C29, C31, C32	X7R/1005	8	100 nF	
C23, C24	X5R/1608	2	22 uF	
C26	X5R/1005	1	10 uF	
C3, C5, C27, C28, C30, C36	X5R/1005	6	1 uF	
C4	X5R/1005	1	47 nF	
C40	N/A/1005	1	2pF	
C8, C9	NP0/1005	2	15 pF	
D2	LTST-C190CKT	1	N/A	
J1	MM8130-2600	1	N/A	
J2	DF40HC(3.5)-30DS-0.4V(51)	1	J2	
L1	15/NH/1005/J	1	15 nH	
L2	10/UH/1608	1	10 uH	
L3	4.7/nH/1005/+0.3nH	1	4.7 μH	
L4	2.2/uH/1608/M	1	2.2 uH	Footprint 1608
L5	2.2/UH/2520/M Murata DFE252012P- 2R2M=P2	1	2.2 uH	Footprint 2520
R1		1	360 Ohm	
R10		1	470 KOhm	
R2		1	180 kOhm	
R6, R9, R12		3	33 Ohm	
R7		1	0.5 Ohm	
R8, R13		2	0 Ohm	
U1, U4	TPS22916BYFPR	2	N/A	Regulator
U2	NORDIC_BT5.0_LONGRANGE	1	N/A	MCU/BT



	_NRF5284			module
U3	TPS62840DLCR	1	N/A	Regulator
U5	A111	1	N/A	PCR
U6		1	N/A	BU4818F-**
X1	32MHz/10ppm/10PF/50OH M/2520	1	32 MHz	
X2	32.768kHz/20ppm/9.5PF/90 KOHM/2	1	32.768kHz	
X3	TSX-3225 24.0000MF20G- AC0/SMD(3225Size)	1	24 MHz	

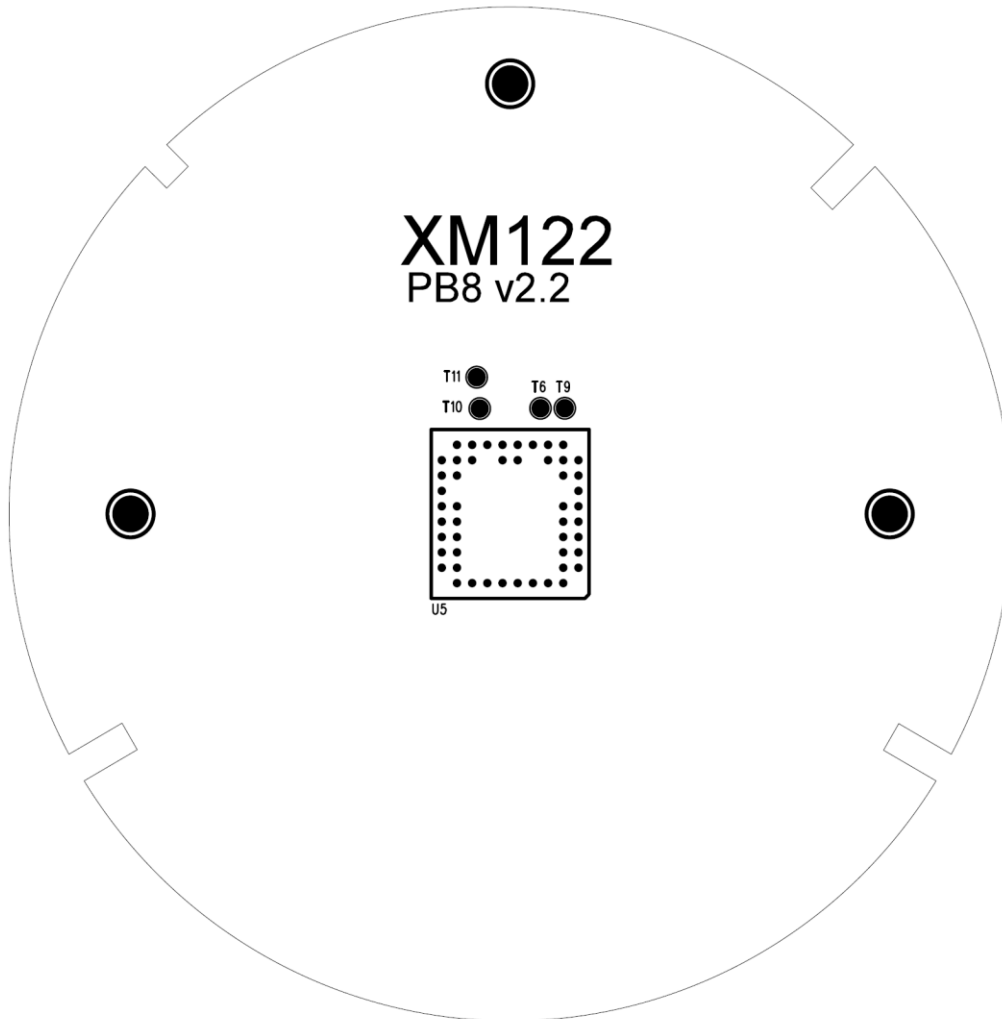
Table 5.1. XM122 BOM list.



## 5.2 Component Placement Drawing

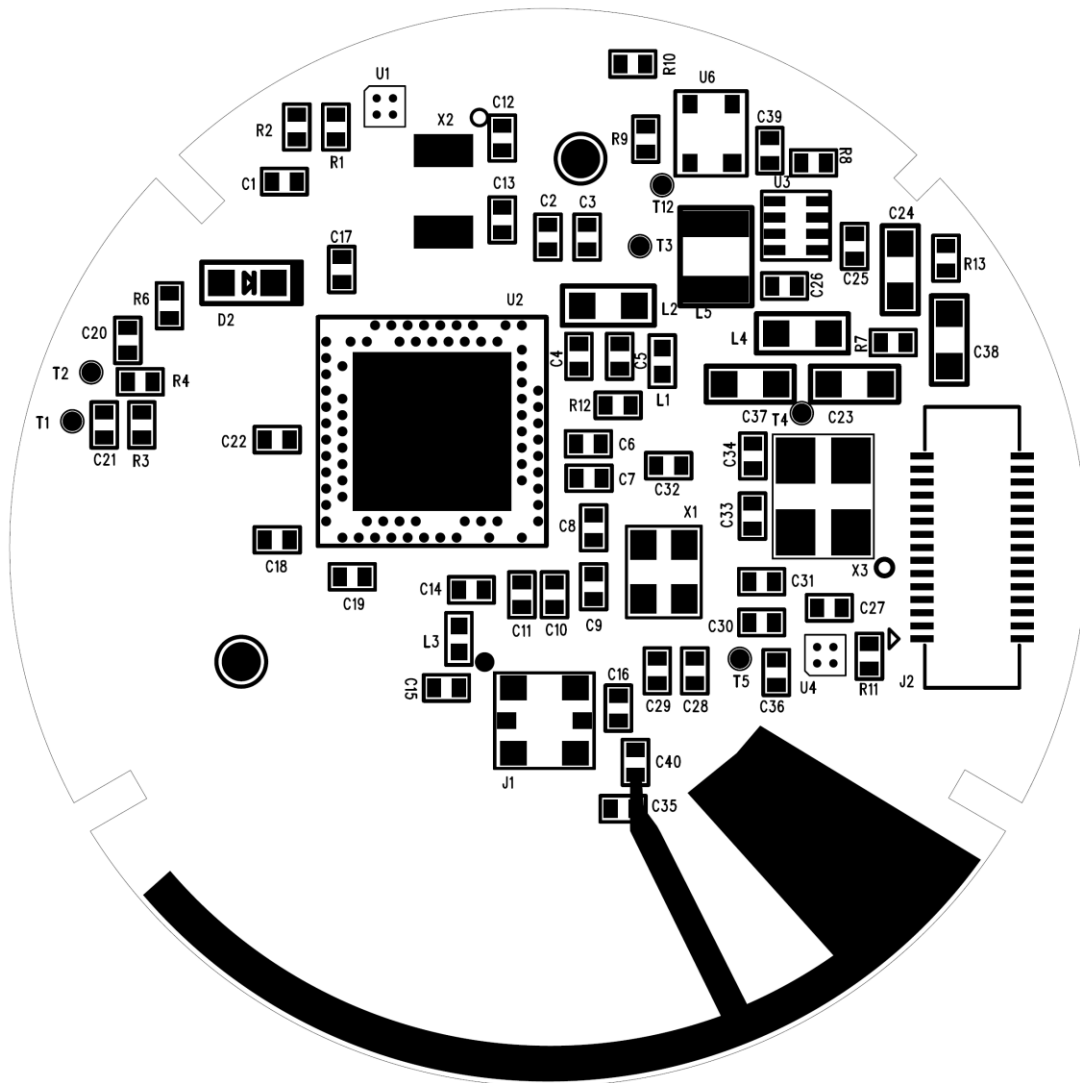
The component placement drawing of XM122 is found below:

Top side





Bottom side:





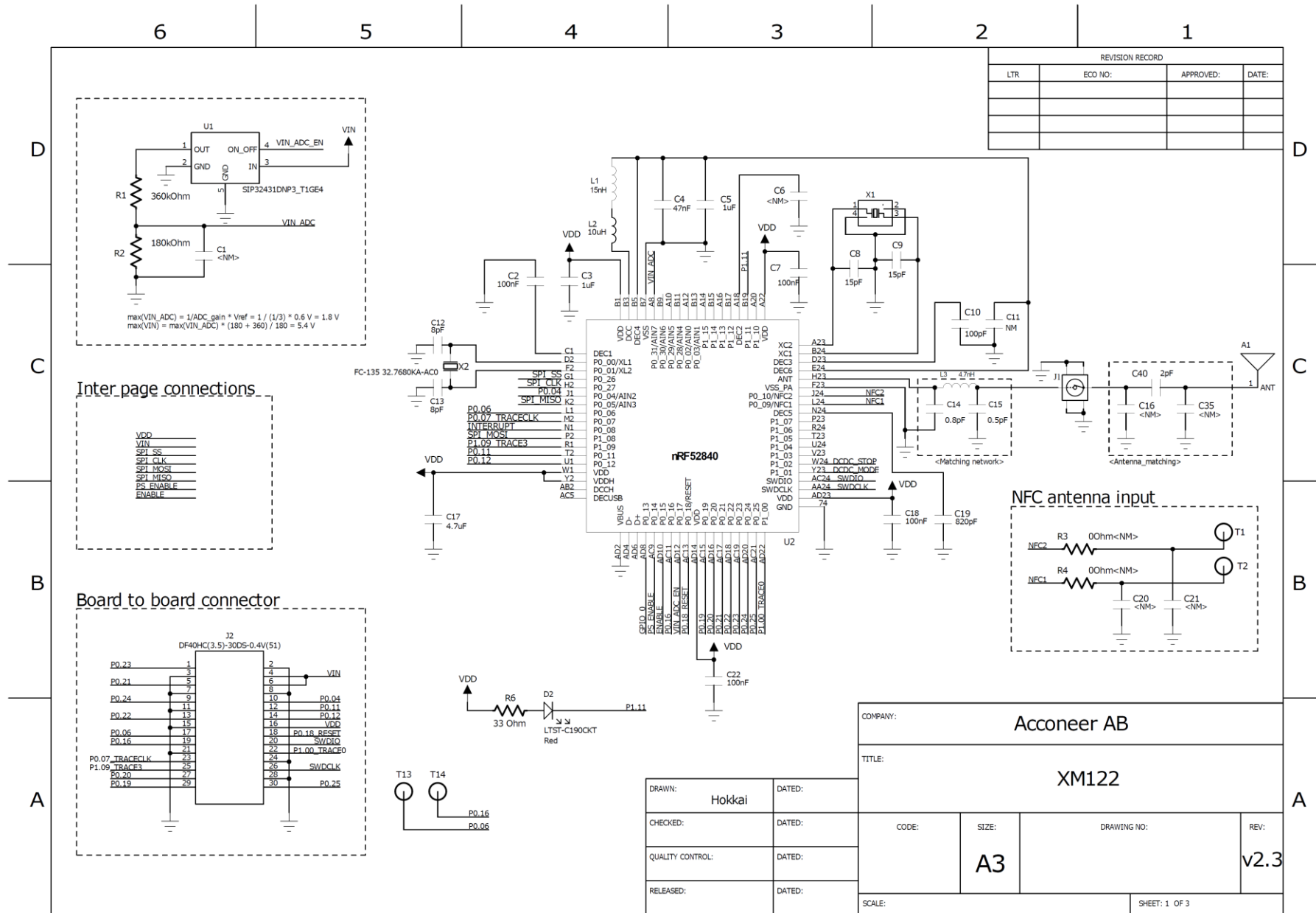
## 6 Reference design description XM122 R2D

### 6.1 Schematics & BOM

The following pages include the module schematics and bill of materials:



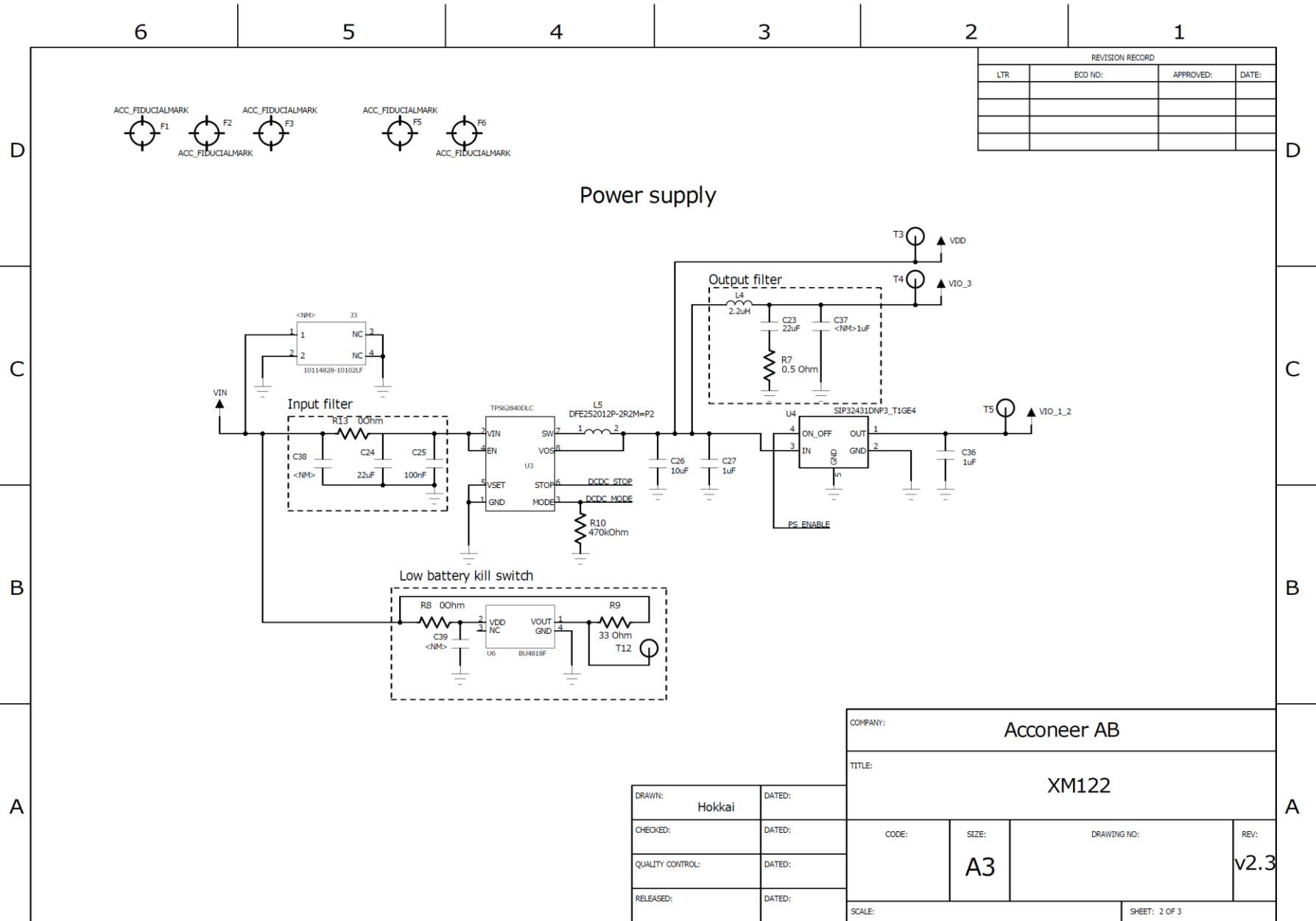
# XM122 IoT Module Datasheet, v2.2



COMPANY: Acconeer AB			
TITLE: XM122			
CODE:	SIZE:	DRAWING NO:	REV: v2.3
A3			
SCALE:	SHEET: 1 OF 3		



XM122 IoT Module  
Datasheet, v2.2







# XM122 IoT Module Datasheet, v2.2

6

5

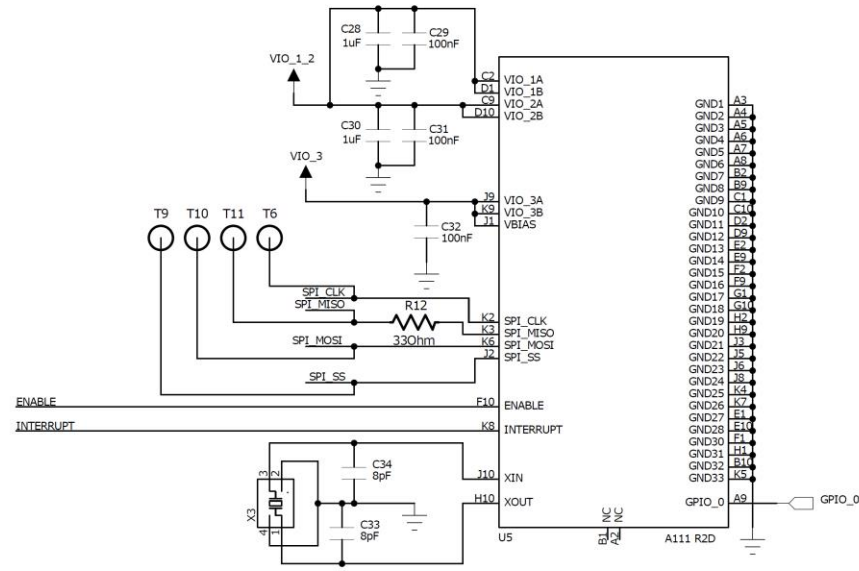
4

3

2

1

REVISION RECORD			
LTR	ECO NO:	APPROVED:	DATE:



COMPANY: <b>Acconeer AB</b>			
TITLE: <b>XM122</b>			
DRAWN:	Hokkai	DATED:	
CHECKED:		DATED:	
QUALITY CONTROL:		DATED:	
RELEASED:		DATED:	
CODE:	SIZE: <b>A3</b>	DRAWING NO:	REV: <b>v2.3</b>
SCALE:		SHEET: 3 OF 3	



## Bill of Material

Table 6.1 shows the BOM for XM122.

Component Ref.	Specification	QTY	Value	Comment
C2,C7,C18,C22,C25,C29,C31,C32	100/NF/10%/50V/X7R/M1005	8	100 nF	
C3,C5,C27,C28,C30,C36	1/UF/10%/10V/X5R/M1005	6	1uF	
C4	47/NF/10%/50V/X5R/M1005	1	47nF	
C8,C9	15/PF/5%/50V/NP0/M1005	2	15pF	
C10	100/PF/5%/10V/NP0,COG/M1005	1	100pF	
C12,C13,C33,C34	8/PF/0.25%/50V/NP0,COG/M1005	4	8pF	
C14	0.75/PF/0.1%/50V/COG/M1005	1	0.8pF	
C15	0.5/PF/0.25%/50V/COG/M1005	1	0.5pF	
C17	4.7/UF/20%/10V/X5R/M1005	1	4.7uF	
C19	820/PF/1%/50V/NP0/M1005	1	820pF	
C23,C24	22/UF/20%/10V/X5R/M1608	2	22uF	
C26	10/UF/20%/10V/X5R/M1005	1	10uF	
C40	2/PF/0.25%/50V/N/A/M1005	1	2pF	
D2	LTST-C190CKT	1		638nm LED RED CLEAR CHIP SMD
J1	MM8130-2600	1		
J2	DF40HC(3.5)-30DS-0.4V(51)	1		Manufacturer: Hirose
L1	15/NH/5%/320mOhm/M1005/	1	15nH	Manufacturer: Murata Part number: LQG15HS15NJ02
L2	10uH/20%/600mOhm/M1608	1	10uH	Manufacturer: TDK Part number:



				MLZ1608N100LT000
L3	4.7nH/0.3nH/110mOhm/M1005	1	4.7nH	Manufacturer: TDK Part number: MHQ1005P4N7ST000
L4	2.2uH/20%/180mOhm/M1608	1	2.2uH	Manufacturer: TDK Part number: MLZ1608N2R2LT000
L5	2.2uH/20%/144mOhm/M2016	1	2.2uH	Manufacturer: Murata Part number: DFE252012P-2R2M=P2
R1	360/Kohm/5%/M1005	1	360 kOhm	0.0625W@70°C, 50V
R2	180/KOHM/1%/M1005	1	180kOhm	0.0625W@70°C, 50V
R6, R9, R12	33/OHM/1%/M1005	3	33 Ohm	0.0625W@70°C, 50V
R7	0.5/OHM/5%/M1005	1	0.5 Ohm	0.0625W@70°C, 50V
R8, R13	0/OHM/5%/M1005	2	0 Ohm	0.0625W@70°C, 50V
R10	470/KOHM/1%/M1005	1	470 kOhm	0.0625W@70°C, 50V
U1, U4	SIP32431DNP3_T1GE4	2		
U2	NORDIC_BT5.0_LONGRANGE_NRF52840	1		NRF52840_QIAA
U3	TPS62840DLCR	1		
U5	A111 R2D	1		
U6	BU4818F-TR	1		
X1	32MHz/10ppm/10PF/50OHM/2520	1		
X2	32.768kHz/20ppm/9.5PF/90KOHM/2	1		
X3	TSX-3225 24.0000MF20G-AC0/SMD	1		

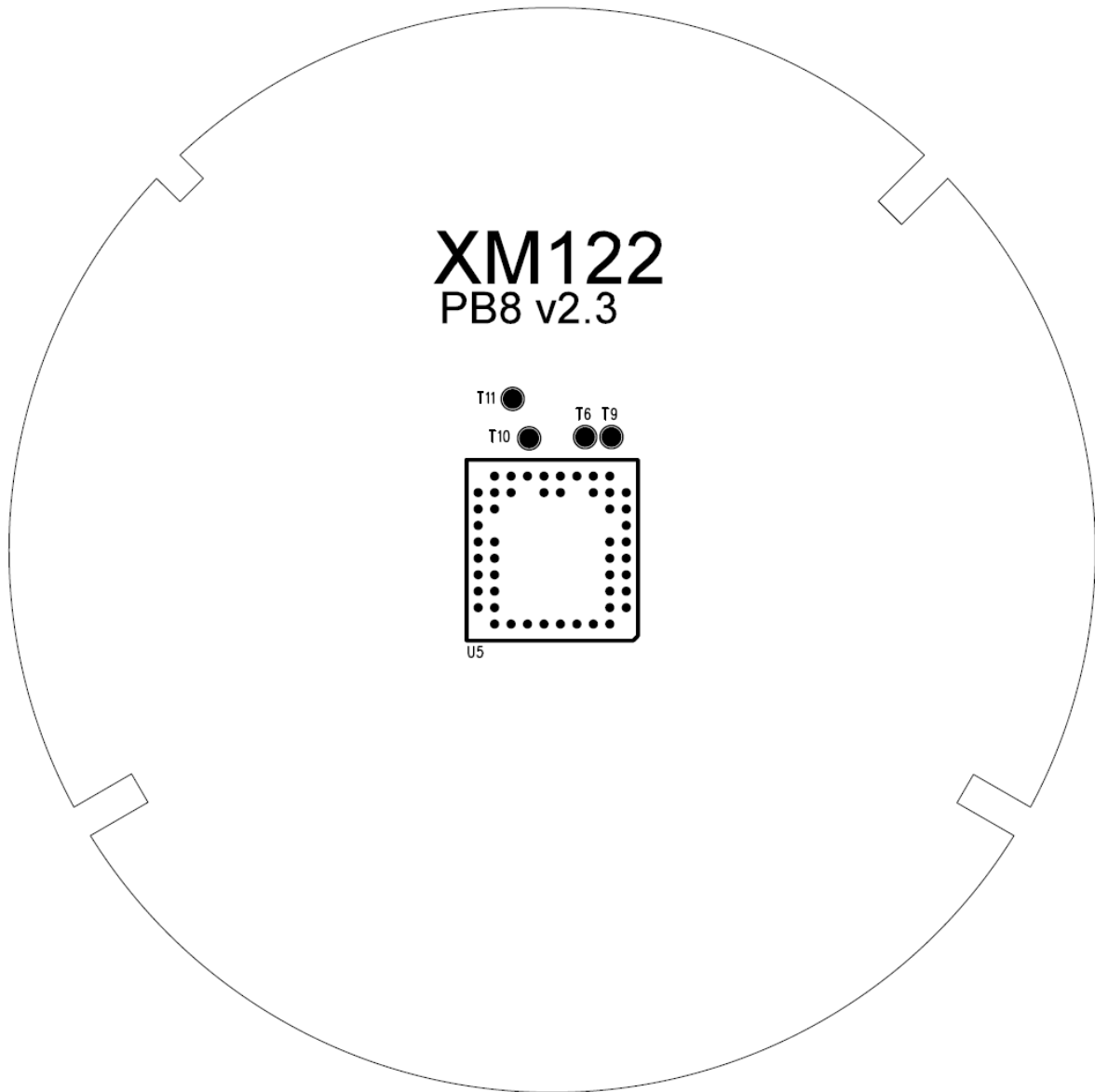
Table 6.1. XM122 BOM list.



## 6.2 Component Placement Drawing

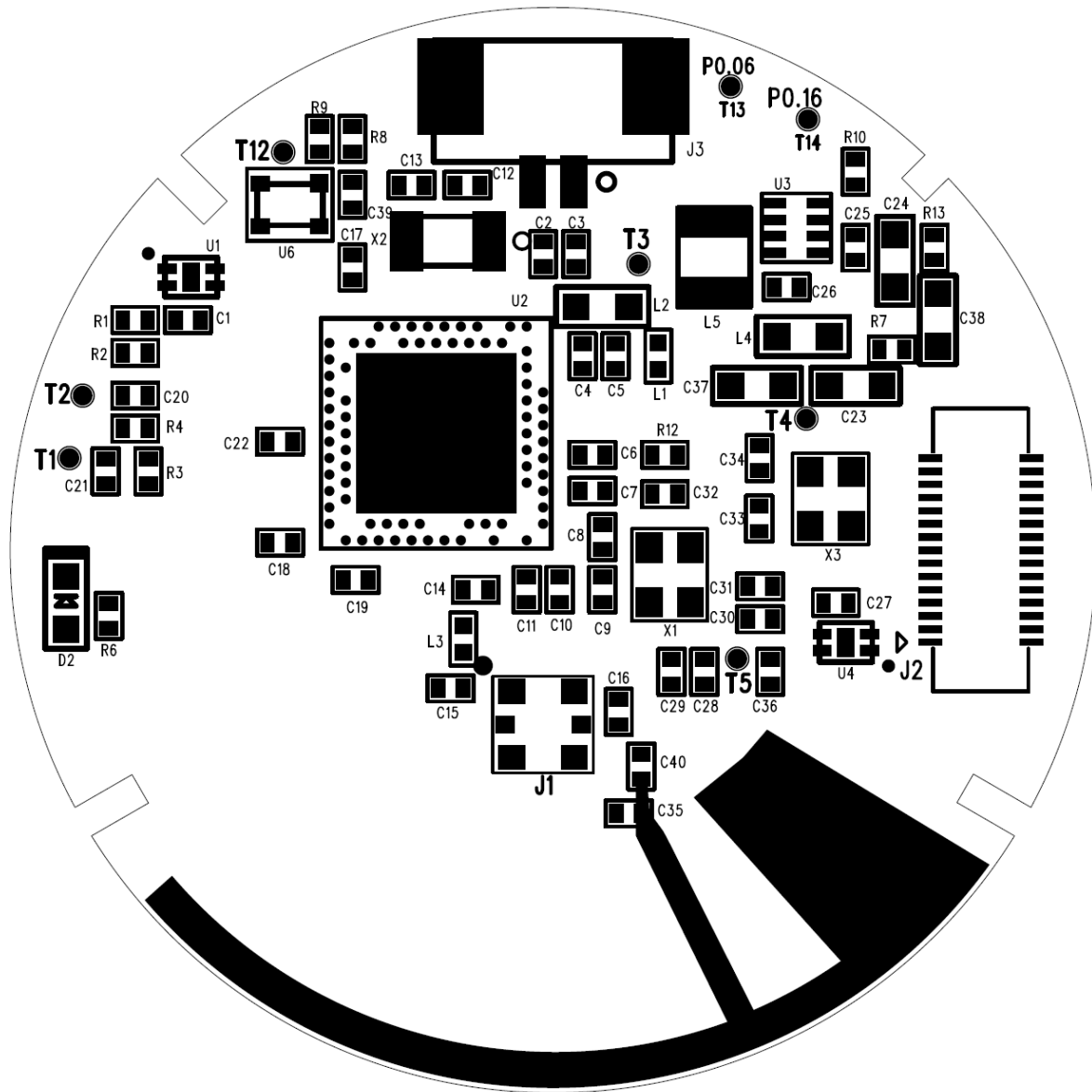
The component placement drawing of XM122 is found below:

Top side





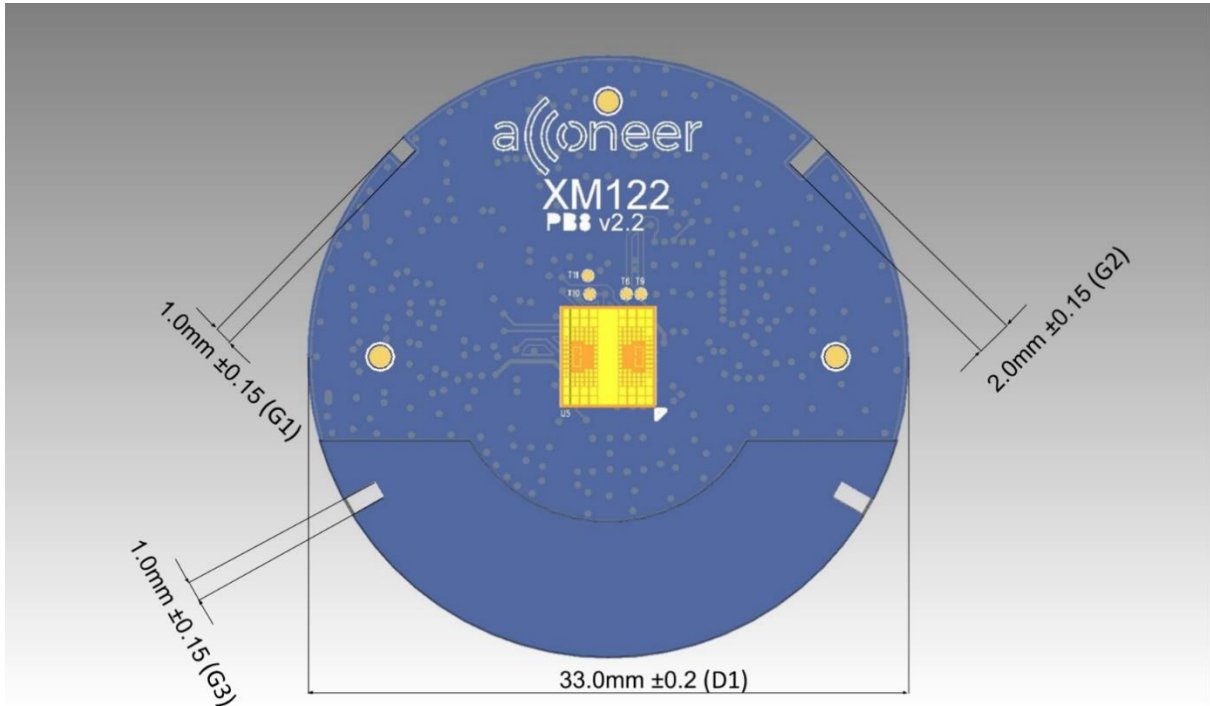
Bottom side:





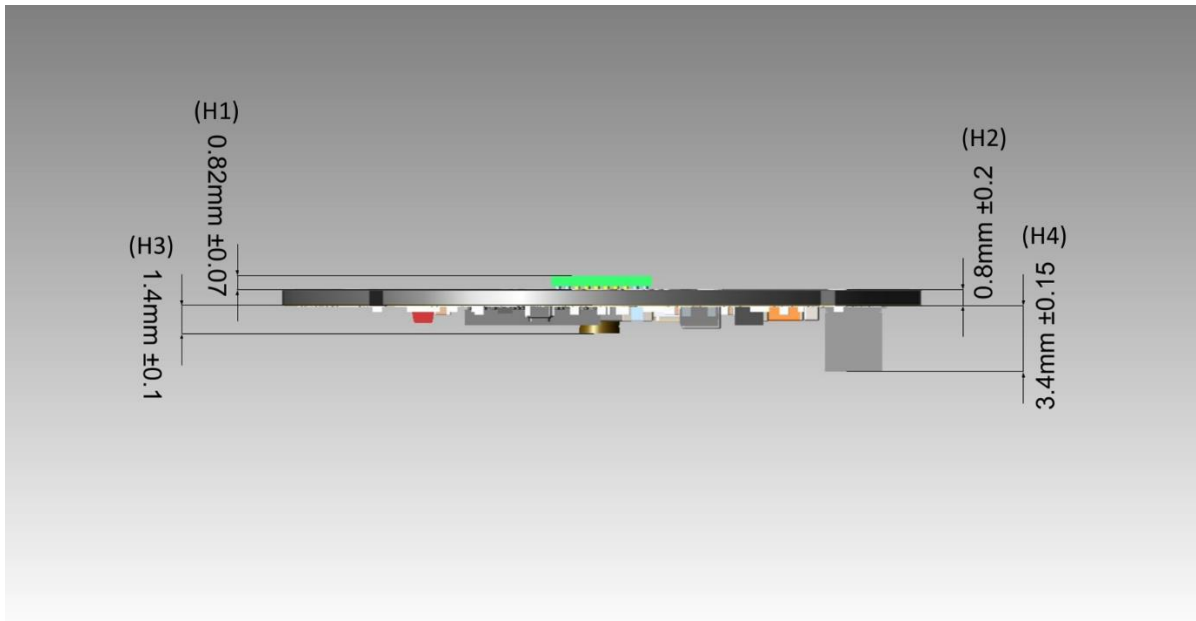
## 7 Mechanical specifications

### XM122 Module outline – Top view





XM122 Module outline – Side view



Distance	Value	Tolerance
D1	33.0 mm	+/-0.2 mm
H1	0.82 mm	+/-0.07 mm
H2	0.8 mm	+/-0.2 mm
H3	1.4 mm	+/-0.1 mm
H4	3.4 mm	+/-0.15 mm
G1	1.0 mm	+/-0.15 mm
G2	2.0 mm	+/-0.15 mm
G3	1.0 mm	+/-0.15 mm







## 9 Reference documents

- [1] A111 Pulsed Coherent Radar (PCR) Datasheet:  
<https://www.acconeer.com/products>
- [2] XM122 IoT Module Evaluation Kit, User guide  
<https://www.acconeer.com/products>
- [3] XM122 Module Software User guide  
<https://www.acconeer.com/products>
- [4] XB122 IoT Module Breakout board, Product brief  
<https://www.acconeer.com/products>
- [5] Nordic nRF50840:  
[Nordic Semiconductor](https://www.nordicsemi.com/Products/Development-modules/nRF50840)
- [6] User Guide – Sensor Integration Electromagnetic Scattering  
<https://www.acconeer.com/products>



## 10 Abbreviations

AiP	Antenna in Package
API	Application Programming Interface
BLE	Bluetooth Low Energy
BOM	Bill of Materials
EIRP	Equivalent Isotropically Radiated Power
GND	Ground
GPIO	General Purpose Input/Output
HPBW	Half Power Beamwidth
HW	HardWare
I2C	Inter-Integrated Circuit
MAC	Media Access Control
MCU	MicroController Unit
NVM	Non-Volatile Memory
PCR	Pulse Coherent Radar
RF	Radio Frequency
RSS	Radar System Software
SDK	Software Development Kit
SoC	System on Chip
SPI	Serial Peripheral Interface
SW	SoftWare
SWD	Serial Wire Debug
UART	Universal Asynchronous Receiver/Transmitter



## Disclaimer

The information herein is believed to be correct as of the date issued. Acconeer AB (“**Acconeer**”) will not be responsible for damages of any nature resulting from the use or reliance upon the information contained herein. Acconeer makes no warranties, expressed or implied, of merchantability or fitness for a particular purpose or course of performance or usage of trade. Therefore, it is the user’s responsibility to thoroughly test the product in their particular application to determine its performance, efficacy and safety. Users should obtain the latest relevant information before placing orders.

Unless Acconeer has explicitly designated an individual Acconeer product as meeting the requirement of a particular industry standard, Acconeer is not responsible for any failure to meet such industry standard requirements.

Unless explicitly stated herein this document Acconeer has not performed any regulatory conformity test. It is the user’s responsibility to assure that necessary regulatory conditions are met and approvals have been obtained when using the product. Regardless of whether the product has passed any conformity test, this document does not constitute any regulatory approval of the user’s product or application using Acconeer’s product.

Nothing contained herein is to be considered as permission or a recommendation to infringe any patent or any other intellectual property right. No license, express or implied, to any intellectual property right is granted by Acconeer herein.

Acconeer reserves the right to at any time correct, change, amend, enhance, modify, and improve this document and/or Acconeer products without notice.

This document supersedes and replaces all information supplied prior to the publication hereof.

© 2023 by Acconeer – All rights reserved



Acconeer AB  
Västra Varvsgatan 19  
211 77 Malmö  
Sweden

[www.acconeer.com](http://www.acconeer.com)  
[info@acconeer.com](mailto:info@acconeer.com)  
+46 10 218 92 00