

1

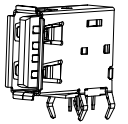
2

3

4

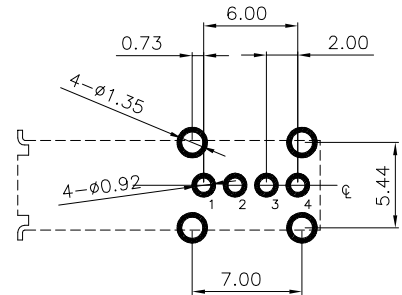
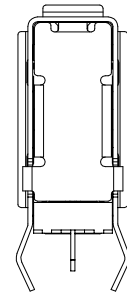
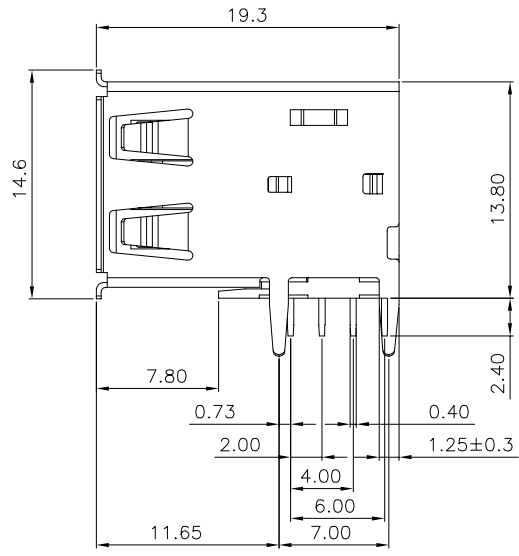
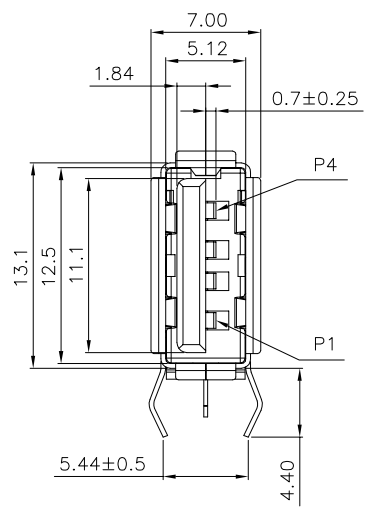
5

Specifications:  
 Current Rating:1.5 AC/DC  
 Voltage Rating:30V AC/DC  
 Contact Resistance:30m Ohm. Max.  
 Insulation Resistance:1,000M Ohm. Min.  
 Withstanding Voltage:500V AC For One Minute  
 Operating Temperature Range:-55°C ~ +85°C



Materials And Finish:  
 Housing:PBT(UL94V-0)  
 Bottom Cover: Nylon 9T(UL94V-0)  
 Contact:Phosphor Bronze  
 Contact Plating:Gold Plated On Contact and  
 Matte Tin Plated 100u" On Solder Tail  
 Over Nickel Plated  
 Shell:Brass&SPCC With Nickel Plated  
 Rear Shell:SPCC

How To Order  
 USB-A1SSXX  
 Plating  
 6: Gold Flash Plated On Contact  
 7: 15u" Gold Plated On Contact  
 8: 30u" Gold Plated On Contact  
 Color:  
 W: White  
 B: Black



TOLERANCE: ±0.05  
 RECOMMENDED PCB LAYOUT  
 (TOP VIEW)

RoHS Compliant

F				DRAWN:	GENERAL TOLERANCE:		<b>ON-SHORE TECHNOLOGY, INC.</b>
E				Jerry Chen	.X=±0.20 .XX=±0.15		
D				CHECKED:	UNIT: MM	DESCRIPTION: USB-A Type, Side Type, Thru hole	SIZE <b>A4</b>
C					SCALE: 1:1		
B				APPROVAL:	SHEET: 1 / 1	PART NO: USB-A1SSXX	
A	20-Apr-2022		Jerry	Mike Wu	PROJECTION:		
REV	DATE	FILE	BY				