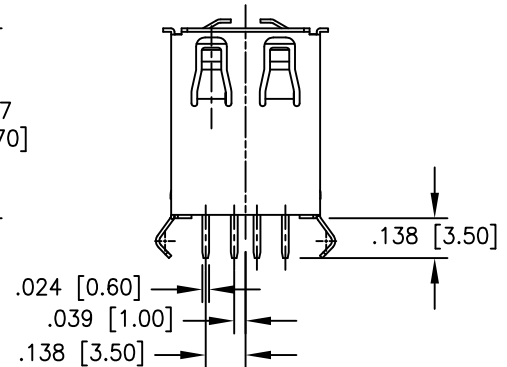
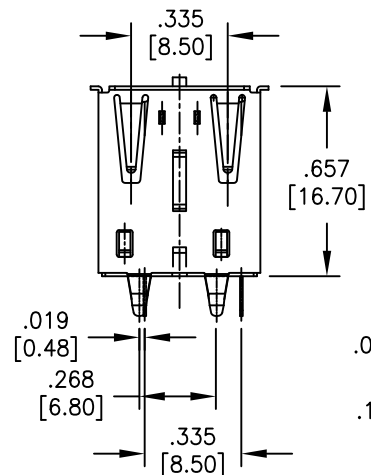
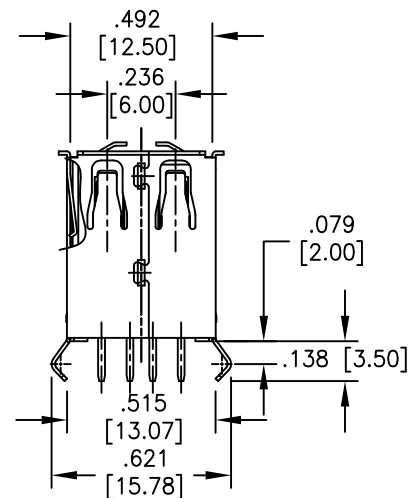
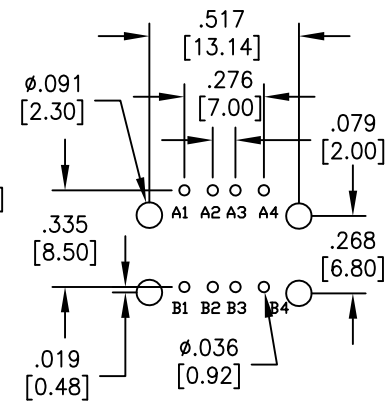
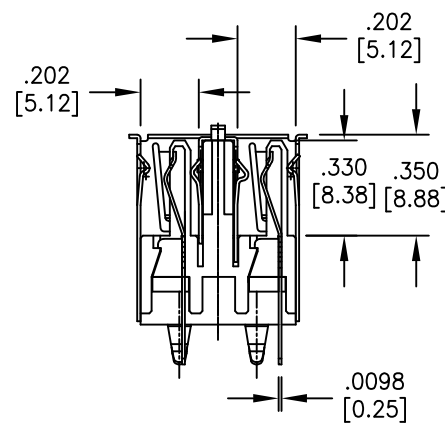
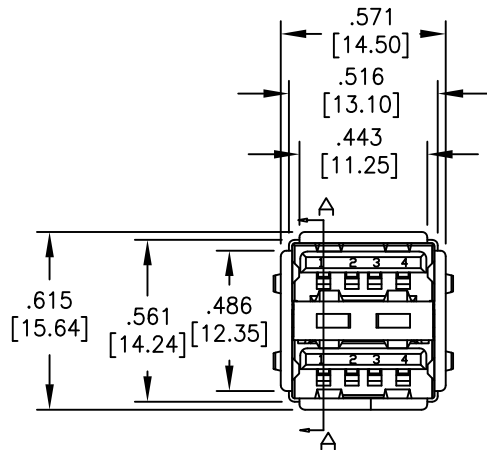


APPROVED: _____

DATE: _____ TITLE: _____

Rev	AWO #	Description	Date	Appr
-		RELEASED	9/22/05	
A		REDRAWN	9/29/09	
B		UPDATED TEMPERATURE RATING	7/18/13	SS
C		UPDATED SPEC.	9/30/16	HR/YC
D		UPDATED SPEC.	2/12/18	SS



SPECIFICATIONS:

Material:
 Insulator: PBT, Glass filled, rated UL 94V-0
 Insulator color: Black
 Contacts: Phosphor Bronze
 Shell: Steel, nickel plated
 Plating:

Gold flash over Nickel underplate on contact area,
 Tin over Nickel underplate on PCB tails

Electrical:
 Voltage rating: 30 V
 Current rating: 1.5 Amp @ 250 VAC
 Contact resistance: 30 mohms max.
 Insulation resistance: 1000 Mohms min.
 Dielectric withstanding voltage: 500 VAC for 1 minute

Temperature Rating:
 Operating temperature: -55°C to +85°C

Environmental:
 Lead free, RoHS compliant.



UNLESS OTHERWISE SPECIFIED ALL DIMENSIONS ARE INCHES [MM] TOLERANCES: EXCEPT AS NOTED INCHES HOLES .X ± .10 ØX ± .10 .XX ± .020 ØXX ± .015 .XXX ± .015 ØXXX ± .010		ADAM TECH 909 Rahway Avenue, Union, NJ 07083 Phone: 908-687-5000 Fax: 908-687-5710	
TITLE UNIVERSAL SERIAL BUS DUAL PORT, VERTICAL, PCB		SIZE PART NO. X USB-A-D-VT	
APPROVALS DRAWN SS 9/22/05 CHECKED APPROVED		DATE REF: S00005C SCALE: NTS SHEET 1 OF 1	