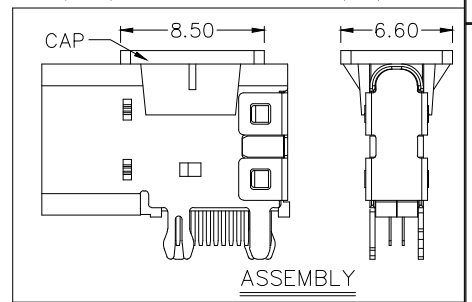
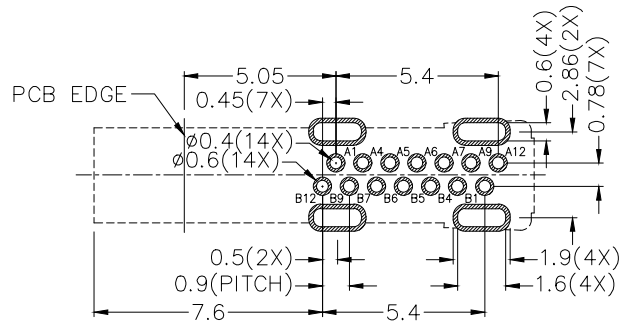
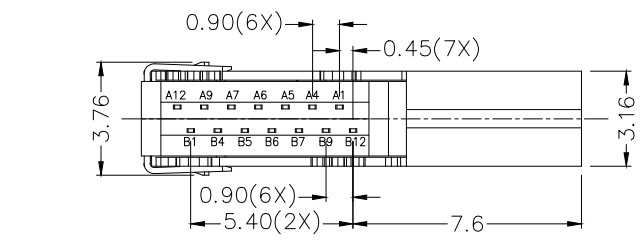
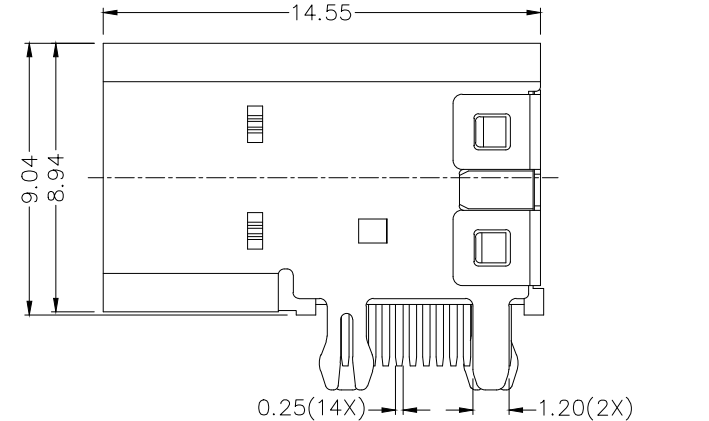
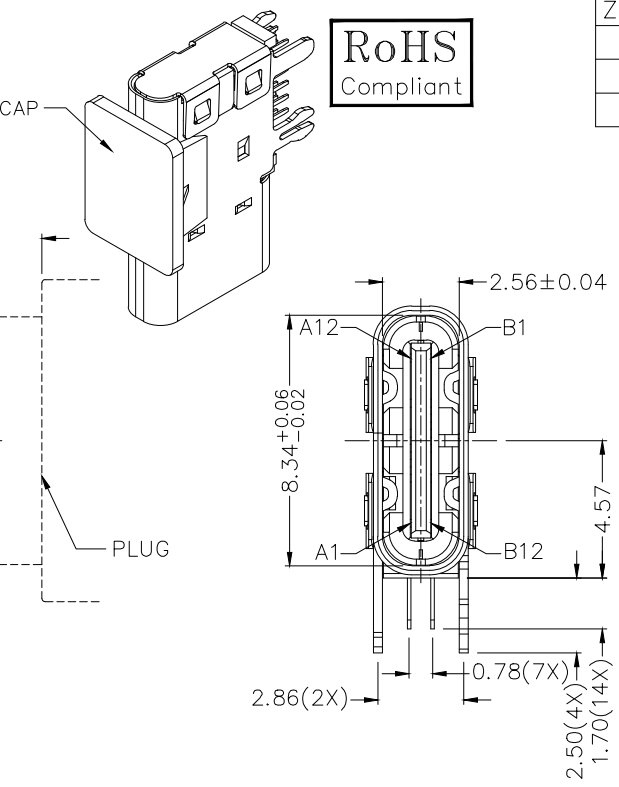
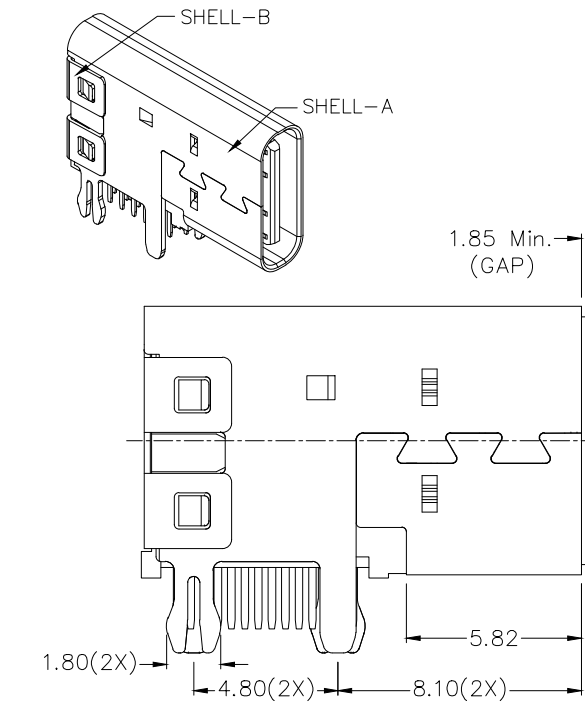


RoHS
Compliant

C		B		A	
ZONE	SYMBOL	REVISION	APPROVAL	DATE	



PIN ASSIGNMENT (FRONT VIEW)

PIN NO.	A1	A4	A5	A6	A7	A9	A12
	GND	Vbus	CC1	D+	D-	Vbus	GND
PIN NO.	B12	B9	B7	B6	B5	B4	B1
	GND	Vbus	D-	D+	CC2	Vbus	GND

RECOMMENDED PCB LAYOUT
TOLERANCE: ±0.05
(TOP VIEW)

DESCRIPTION	MATERIAL	PLATING
CONTACT	COPPER ALLOY	NICKEL PLATED ON ALL AREA, Au 3u" MIN ON CONTACT AND SOLDER AREA
SHELL-A	STAINLESS STEEL	NICKEL(Ni)
SHELL-B	STAINLESS STEEL	NICKEL(Ni)
MIDDLE PLATE	STAINLESS STEEL	
INSULATOR	HIGH TEMP. PLASTIC	COLOR:BLACK
CAP	HIGH TEMP. PLASTIC	COLOR:BLACK

LINKPLEX TECHNOLOGY LIMITED

DESIGN	H.L.TAN	DATE	20-3-2018	SCALE	4:1
DRAWING	J.H.ZHOU	DATE	3-10-2023	MATERIAL	
CHECK	T.Y.LI	DATE	3-10-2023	DWG. NO.	TZ\UBC116-A/1.0
APPROVAL	H.Q.ZHOU	DATE	3-10-2023	SHEET	1/1

PART NAME	USB 2.0 TYPE-C (14PIN) CONNECTOR	TOLERANCE UNLESS	0.0±0.3	UNIT:	mm
PART NO.	LUB-C116	OTHERWISE SPECIFIED:	0.00±0.2 0.000±0.1		