

49US, 49SL Series: HC-49US, HC-49SL Quartz Crystal

49SMT, 49SLMT Series: HC-49SMD, HC-49SLMD Quartz Crystal

3.000 - 80.000 MHz

● SPECIFICATION

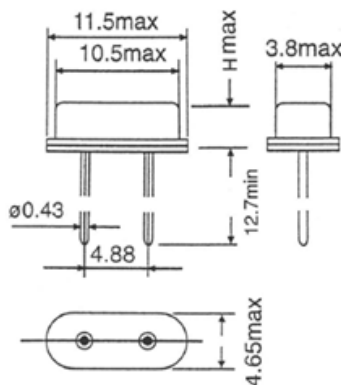
Model	49US, 49SL, 49SMT, 49SLMT Series
Frequency range	3.000 ~ 80.000 MHz
Frequency tolerance	±10 ~ ±30 ppm (at 25°C)
Frequency stability	±10 ~ ±30 ppm (ref. to 25°C)
Operation temperature	- 40°C ~ +85°C or specify
Storage temperature	- 55°C ~ + 125°C
Load capacitance	8 to 32 pF or specify
Drive level	100 uW (typ) , 500 uW (max)
Series resistance	See below
Shunt capacitance	7 pF (max)
Aging	±5 ppm / Year (max)

● EQUIVALENT SERIES RESISTANCE

Frequency MHz	Model	ESR
3.000-3.799	Fundamental	180 Ω (max)
3.800-4.999	Fundamental	150 Ω (max)
5.000-5.999	Fundamental	120 Ω (max)
6.000-7.999	Fundamental	80 Ω (max)
8.000-9.999	Fundamental	80 Ω (max)
10.000-11.999	Fundamental	50 Ω (max)
12.000-15.999	Fundamental	50 Ω (max)
20.000-35.000	Fundamental	40 Ω (max)
26.000-39.999	3rd	100 Ω (max)
40.000-80.000	3rd	80 Ω (max)

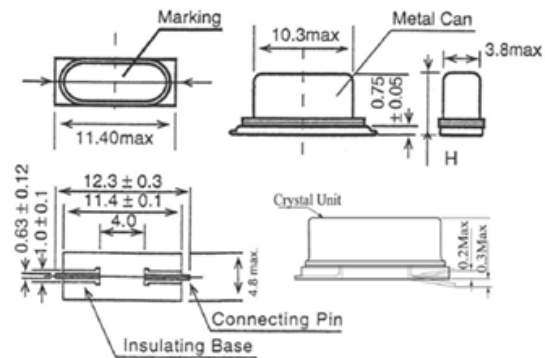
● DIMENSIONS (mm)

49US & 49SL Series



Series	H
49US	3.5max
49SL	2.5max

49SMT & 49SLMT Series



Series	H
49SMT	4.2max
49SLMT	3.2max