

● SPECIFICATION

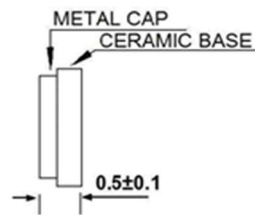
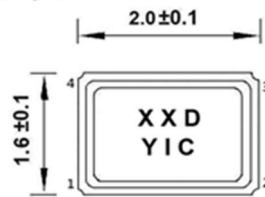
Model	XT214 Series
Frequency range	16.000 ~ 64.000 MHz
Frequency tolerance	±10 ~ ±30 ppm (at 25°C)
Frequency stability	±10 ~ ±30 ppm (ref. to 25°C)
Operation temperature	-20°C ~ +70°C , - 40°C ~ +85°C , - 40°C ~ +125°C , specify
Storage temperature	- 55°C ~ + 125°C
Load capacitance	8 to 32 pF or specify
Drive Level	10 uW (typ) , 100 uW (max)
Series resistance	See below
Shunt capacitance	3 pF (max)
Aging	±3 ppm / Year (max)

● EQUIVALENT SERIES RESISTANCE

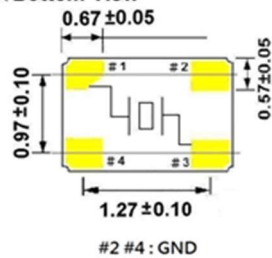
Frequency MHz	Model	ESR
16.000-23.999	Fundamental	120 Ω (max)
24.000-29.999	Fundamental	100 Ω (max)
30.000-37.999	Fundamental	80 Ω (max)
38.000-64.000	Fundamental	60 Ω (max)

● DIMENSIONS (mm)

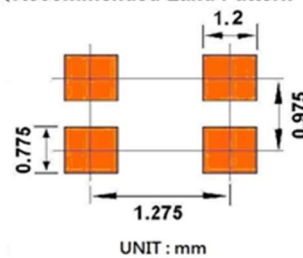
★ Top View



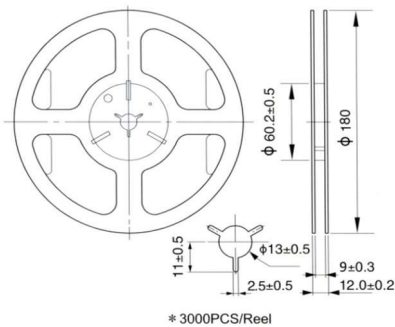
★ Bottom View



★ Recommended Land Pattern



● REEL PACKING(mm)



● TAPE SPECIFICATION(mm)

