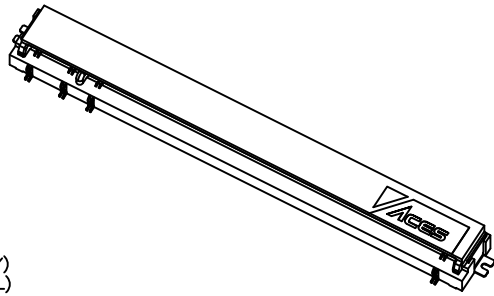


NOTES:

1. MATERIAL:
 - 1.1 HOUSING: THERMOPLASTIC, HIGH TEMP., UL94V-0; COLOR:NATURAL.
 - 1.2 CONTACT: COPPER ALLOY
 - 1.3 FITTING NAIL: COPPER ALLOY
2. FINISH:
 - 2.1 CONTACT:
 - UNDERPLATING: 50u" MIN. NICKEL OVERALL.
 - 8: 3u" Min. GOLD ON CONTACT.
 - T: 10u" Min. GOLD ON CONTACT.
 - 2.2 FITTING NAIL:
 - UNDERPLATING: 50u" MIN. NICKEL OVERALL.
 - FINISH: MATT TIN OVER ALL
3. REFLOW SOLDER CAPABLE TO 260°C PER ACES SPEC.
4. ROHS COMPLIANT PRODUCT.
5. SPEC. PLS. REFER TO PS-88881-XXXX
6. DRAWING PACKAGING REFER TO 88885-XXXX(TRAY)
7. DRAWING PACKAGING REFER TO 88885-XXXX(REEL)
8. PART NUMBER

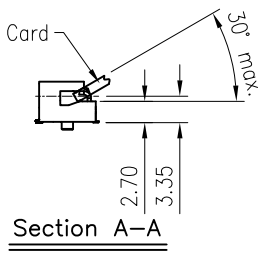
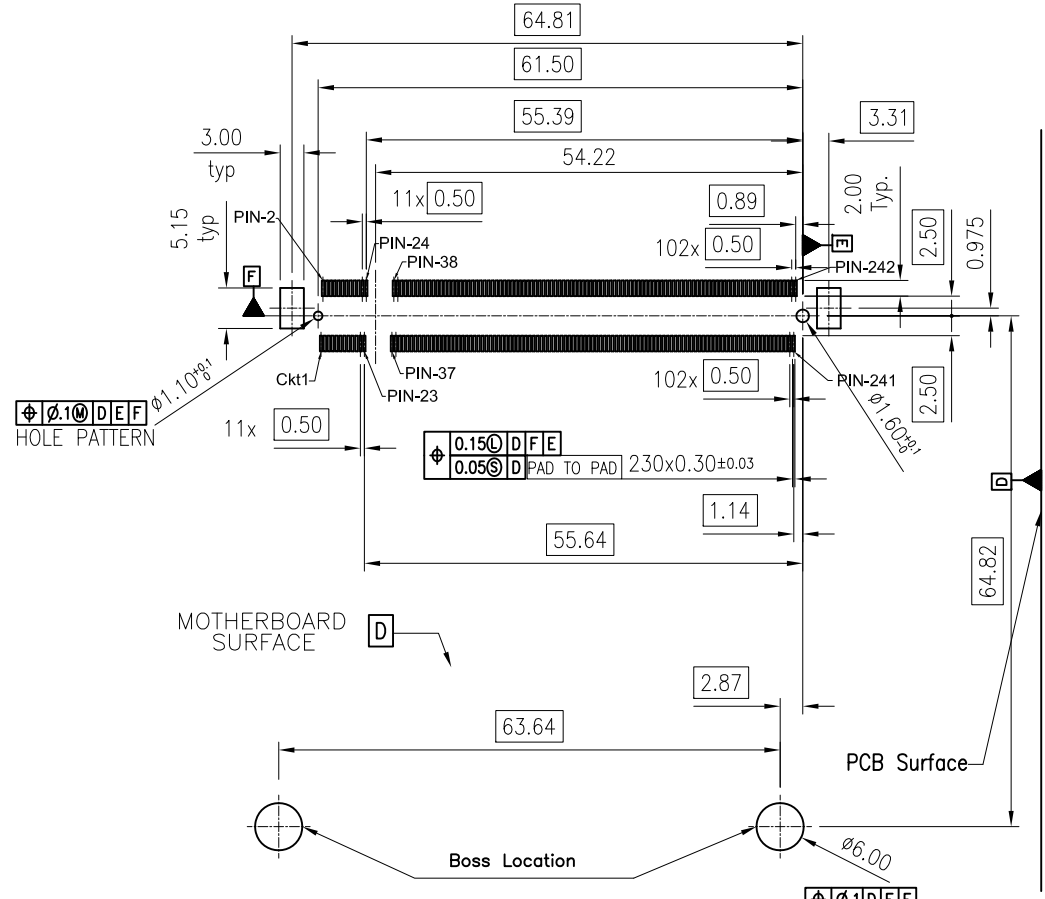
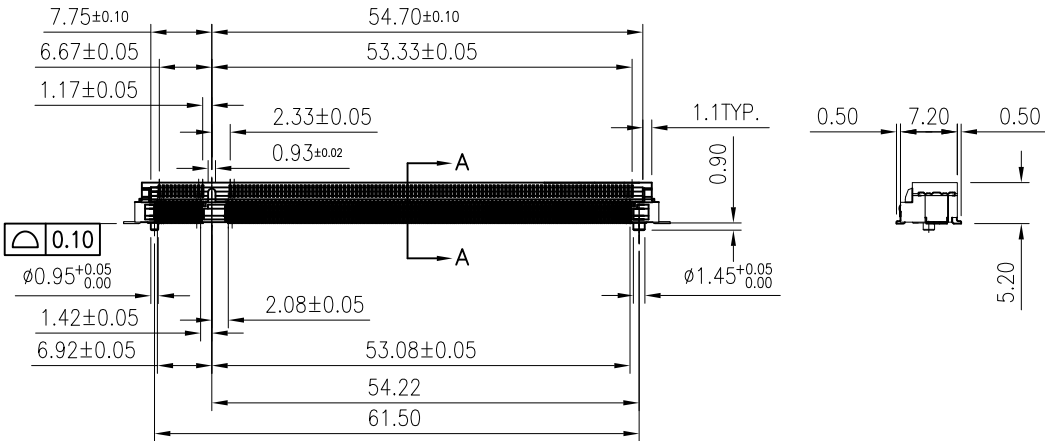
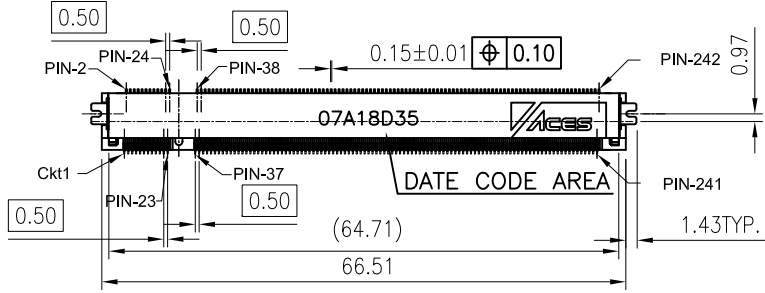


88885-2D X X

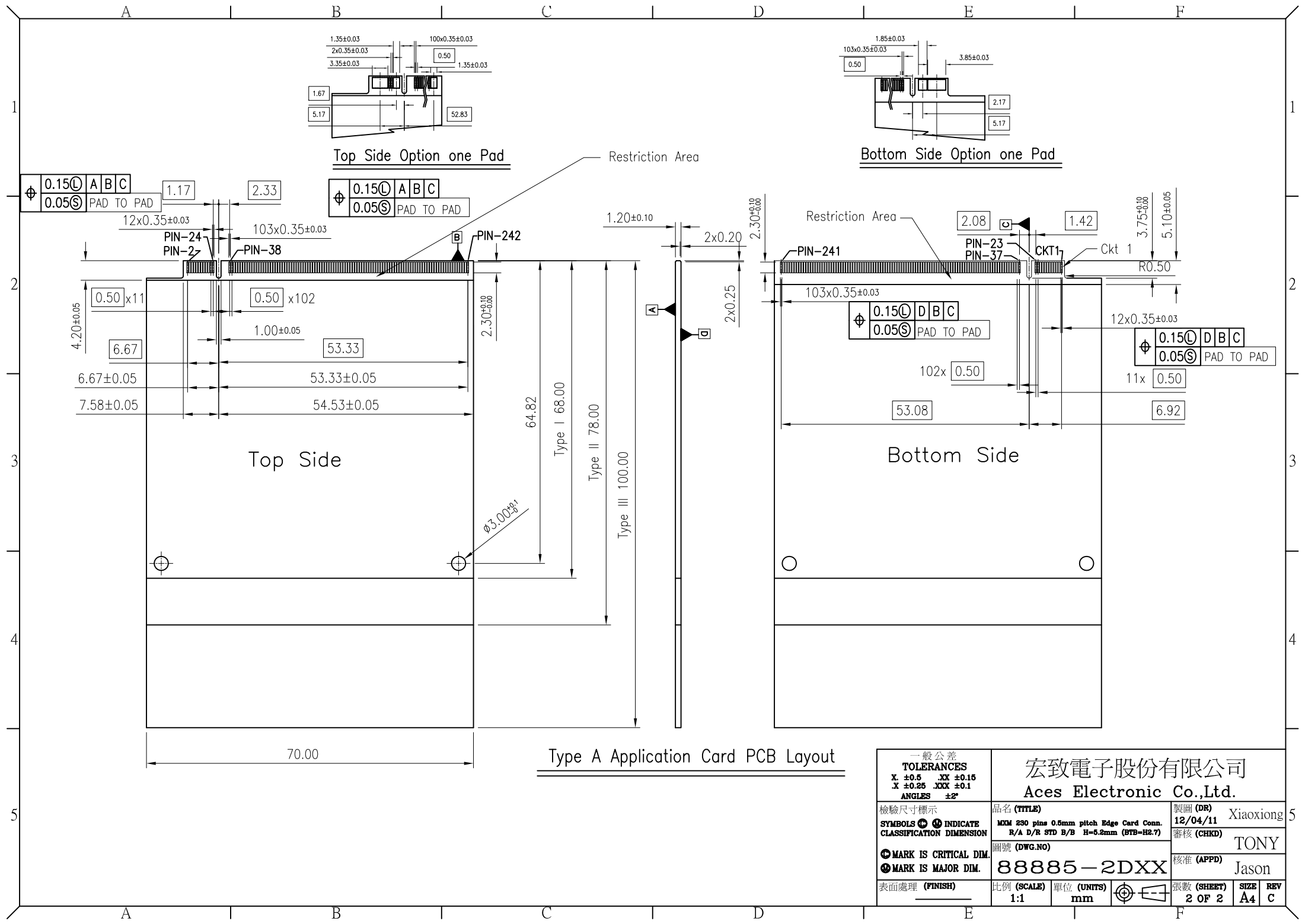
NO. OF CKT 230 CKTS

PACKING 0:TAPE & REEL 2:TRAY

PLATING 8: G/F OVER ALL(LEAD FREE) GOLD 3u" MIN. ON CONTACT T: 10u" GOLD ON CONTACT



一般公差 TOLERANCES X ±0.5 XX ±0.15 X ±0.25 XXX ±0.1 ANGLES ±2°		宏致電子股份有限公司 Aces Electronic Co.,Ltd.	
檢驗尺寸標示 SYMBOLS ⊕ ⊕ INDICATE CLASSIFICATION DIMENSION ⊕ MARK IS CRITICAL DIM. ⊕ MARK IS MAJOR DIM.	品名 (TITLE) MXM 230 pins 0.5mm pitch Edge Card Conn. R/A D/R STD B/B H=5.2mm (BTB-H2.7)	製圖 (DR) 12/04/11 審核 (CHKD) TONY 核准 (APPD) Jason	圖號 (DWG.NO) 88885-2DXX
表面處理 (FINISH)	比例 (SCALE) 單位 (UNITS) 1:1 mm	張數 (SHEET) 1 OF 2 尺寸 (SIZE) A4 版次 (REV) C	製圖 (DR) Xiaoxiong 核准 (CHKD) TONY 核准 (APPD) Jason



Type A Application Card PCB Layout

一般公差 TOLERANCES X ±0.5 XX ±0.15 X ±0.25 XXX ±0.1 ANGLES ±2°		宏致電子股份有限公司 Aces Electronic Co.,Ltd.	
檢驗尺寸標示 SYMBOLS ⊕ ⊕ INDICATE CLASSIFICATION DIMENSION ⊕ MARK IS CRITICAL DIM. ⊕ MARK IS MAJOR DIM.		品名 (TITLE) MXM 230 pins 0.5mm pitch Edge Card Conn. R/A D/R STD B/B H=5.2mm (BTB-H2.7) 圖號 (DWG.NO) 88885-2DXX	
表面處理 (FINISH)		製圖 (DR) Xiaoxiong 5 12/04/11 審核 (CHKD) TONY 核准 (APPD) Jason 比例 (SCALE) 單位 (UNITS) 1:1 mm 張數 (SHEET) 2 OF 2 尺寸 (SIZE) A4 版次 (REV) C	