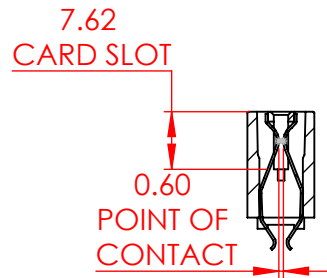
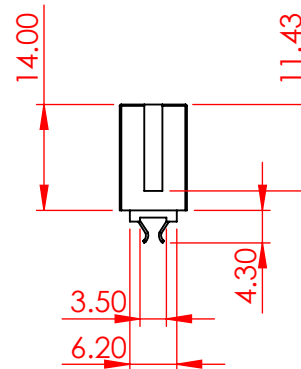
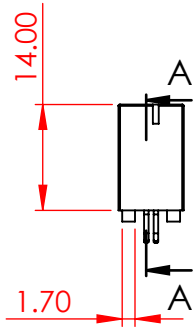
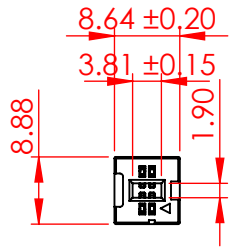


| TOLERANCE UNLESS OTHERWISE SPECIFIED | |
|--|-------|
| 0-10 | ±0.20 |
| 10-30 | ±0.30 |
| 30-100 | ±0.40 |

THIS IS A C.A.D. GENERATED DRAWING
DO NOT MAKE MANUAL REVISIONS TO MASTER.



| ISSUE NUMBER | |
|------------------------------------|---------------|
| ORIGINAL | ① |
| UPDATE PAGE 2 AVAILABILITY J.L. | APR.11/2024 ② |



SECTION A-A

SPECIFICATIONS:

MATERIAL:

GLASS REINFORCED
THERMOPLASTIC, PA66

**CONTACT:
PLATING:**

COPPER ALLOY
GOLD FLASH PLATING ON
CONTACT AREA, TIN PLATING ON
SOLDERING AREA

**ELECTRICAL
VOLTAGE RATING:
CURRENT RATING:
DIELECTRIC**

250 VAC RMS
1A

WITHSTANDING VOLTAGE: 500VAC RMS 60Hz FOR 60s
INSULATION RESISTANCE: 1000 MEGA OHMS MIN AT 500VDC
CONTACT RESISTANCE: 30 mOHMS MAX

MECHANICAL

**RETENTION FORCE:
INSERTION FORCE:
WITHDRAWAL FORCE:**

460g MIN PER CONTACT
230g MAX PER CONTACT PAIR
15g MIN PER CONTACT PAIR

ENVIRONMENTAL

TEMPERATURE RANGE:

-55°C TO +85°C



THIS SERIES FULLY CONFORMS TO
THE EUROPEAN UNION DIRECTIVES
2011/65/EU FOR RoHS COMPLIANCY.



YOUR CONNECTION TO QUALITY & SERVICE

EDAC INC
TORONTO, ONTARIO
CANADA

THESE DRAWINGS AND SPECIFICATIONS
ARE THE PROPERTY OF EDAC INC., AND
SHALL NOT BE REPRODUCED, OR COPIED
OR USED AS THE BASIS FOR THE
MANUFACTURE OR SALE OF APPARATUS
WITHOUT WRITTEN PERMISSION.

302 SERIES CARD EDGE CONNECTOR

| | | |
|---------------------|-----------------|----------------|
| ACAD REFERENCE NO.: | 302 Assembly | UNIT: MM |
| DRAWN: | J.L. | DATE: 06/06/23 |
| CHECKED: | R.S.M. | DATE: 04/09/24 |
| SCALE: | 1:1 | SHEET 1 OF 2 |
| DRAWING NUMBER: | 302-004-256-201 | ISSUE |
| PART NUMBER: | 302-004-256-201 | 2 |

THIS IS A C.A.D. GENERATED DRAWING
DO NOT MAKE MANUAL REVISIONS TO MASTER.



ISSUE NUMBER

SEE PAGE 1

| NO. OF POS. | CONTACT CODE 56 |
|-------------|-----------------|
| 04 | AVAILABLE |
| 06 | AVAILABLE |
| 08 | AVAILABLE |
| 10 | AVAILABLE |
| 12 | AVAILABLE |
| 14 | AVAILABLE |
| 16 | AVAILABLE |
| 20 | AVAILABLE |
| 22 | AVAILABLE |
| 24 | AVAILABLE |
| 26 | AVAILABLE |
| 30 | AVAILABLE |
| 32 | AVAILABLE |
| 36 | AVAILABLE |
| 40 | AVAILABLE |
| 48 | AVAILABLE |
| 50 | AVAILABLE |
| 52 | AVAILABLE |
| 60 | AVAILABLE |
| 68 | AVAILABLE |
| 70 | AVAILABLE |
| 80 | AVAILABLE |
| 100 | AVAILABLE |
| 110 | AVAILABLE |
| 120 | AVAILABLE |
| 124 | AVAILABLE |

302-004-256-201



302 SERIES CARD EDGE CONNECTOR

| | | |
|----------------------------------|----------------|----------|
| ACAD REFERENCE NO.: 302 Assembly | | UNIT: MM |
| DRAWN: J.L. | DATE: 06/06/23 | |
| CHECKED: R.S.M. | DATE: 04/09/24 | |
| SCALE: 3:2 | SHEET 2 OF 2 | |
| DRAWING NUMBER: 302-004-256-201 | | ISSUE |
| PART NUMBER: 302-004-256-201 | | 2 |



THIS SERIES FULLY CONFORMS TO
THE EUROPEAN UNION DIRECTIVES
2011/65/EU FOR RoHS COMPLIANCY.



YOUR CONNECTION TO QUALITY & SERVICE

EDAC INC
TORONTO, ONTARIO
CANADA

THESE DRAWINGS AND SPECIFICATIONS
ARE THE PROPERTY OF EDAC INC., AND
SHALL NOT BE REPRODUCED, OR COPIED
OR USED AS THE BASIS FOR THE
MANUFACTURE OR SALE OF APPARATUS
WITHOUT WRITTEN PERMISSION.