

BPDx Series



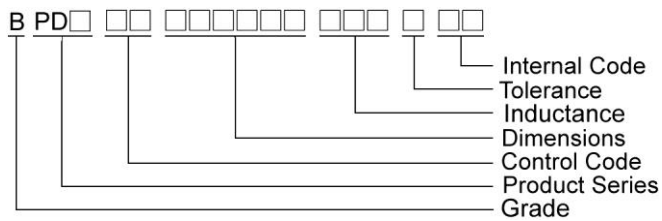
Features

- RoHS, Halogen Free and REACH Compliance
- Magnetic shielded
- Various package size and wide inductance range

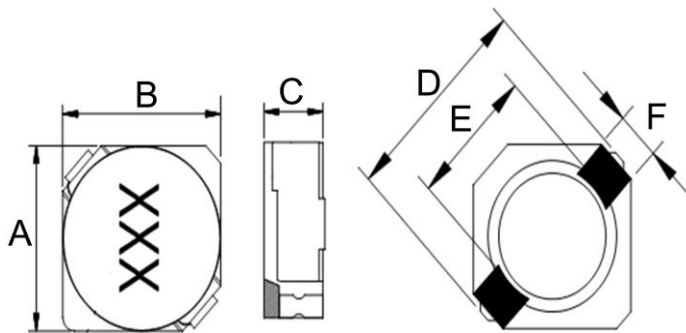
Applications

- AP Routers
- STBs
- LCD TVs and monitors
- Game consoles
- LED lightings
- DC/DC converters

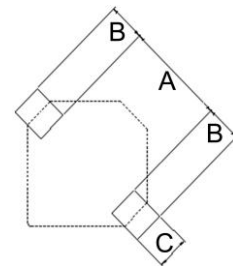
Product Identification



Shape and Dimensions



Recommended Pattern



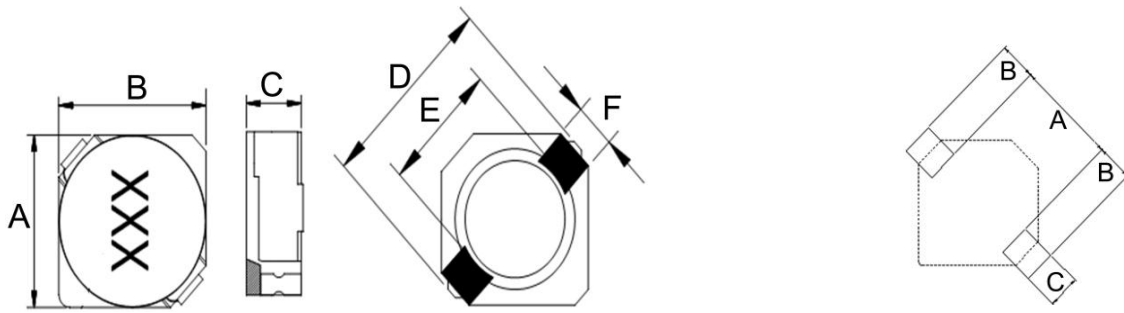
Dimensions in mm

TYPE	Shape and Dimensions						Recommended Pattern		
	A	B	C	D	E	F	A	B	C
BPDL00030312	3.0±0.2	3.0±0.2	1.2Max	4.5Max	2.1	1.0	1.7	1.3	1.3
BPDS00030316	3.0±0.2	3.0±0.2	1.55Max	4.5Max	2.1	1.0	1.7	1.3	1.3
BPDx00030320	3.0±0.2	3.0±0.2	2.0Max	4.5Max	2.1	1.0	1.7	1.3	1.3

SMD Shielded Power Inductors – BPDx Series

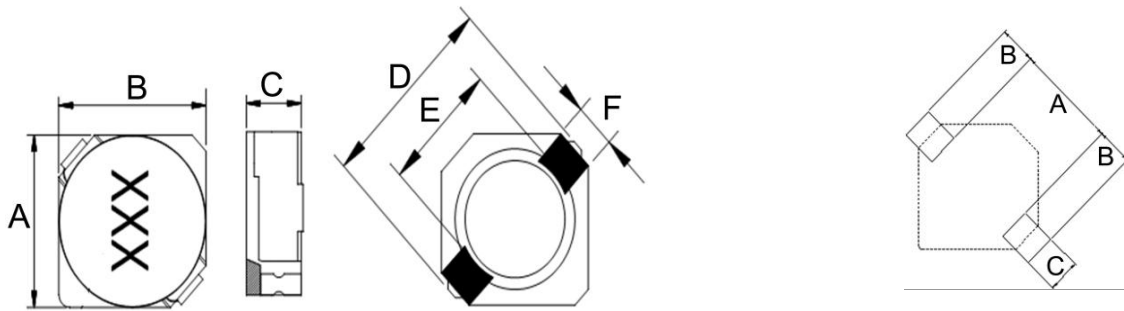
Shape and Dimensions

Recommended Pattern



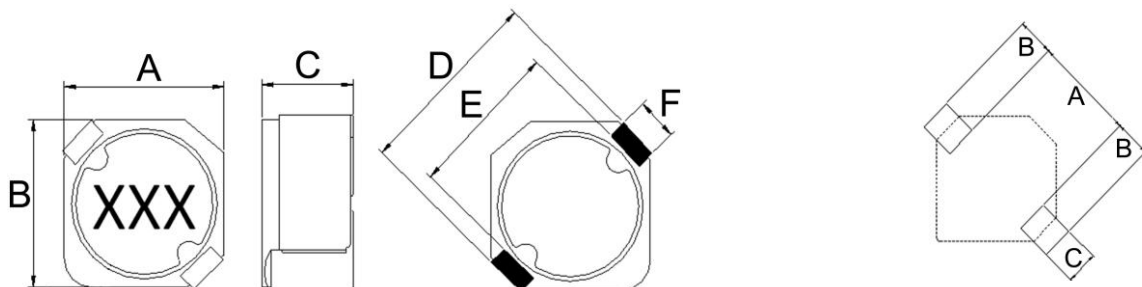
Dimensions in mm

TYPE	Shape and Dimensions						Recommended Pattern		
	A	B	C	D	E	F	A	B	C
BPDx00040415	3.8±0.2	3.8±0.2	1.5Max	5.2Max	2.8	1.1	2.4	1.4	1.5
BPDH00040418 (1R0~4R7)	3.8±0.2	3.8±0.2	1.5Max	5.4Max	2.8	1.1	2.4	1.4	1.5
BPDH00040418 (6R8~561)	3.8±0.2	3.8±0.2	1.5Max	5.2Max	2.8	1.1	2.4	1.4	1.5
BPDN00040423	3.8±0.2	3.8±0.2	2.3Max	5.0±0.4	2.8	1.1	2.4	1.4	1.5
BPDN00040430	3.8±0.2	3.8±0.2	3.0Max	5.4Max	2.8	1.1	2.4	1.4	1.5



Dimensions in mm

TYPE	Shape and Dimensions						Recommended Pattern		
	A	B	C	D	E	F	A	B	C
BPDH00040412	3.8±0.2	3.8±0.2	1.2Max	5.2Max	2.8	1.1	2.4	1.4	1.5
BPDH00060618	5.6±0.2	5.6±0.2	1.8Max	7.0Max	4.7	1.2	4.3	1.45	1.6

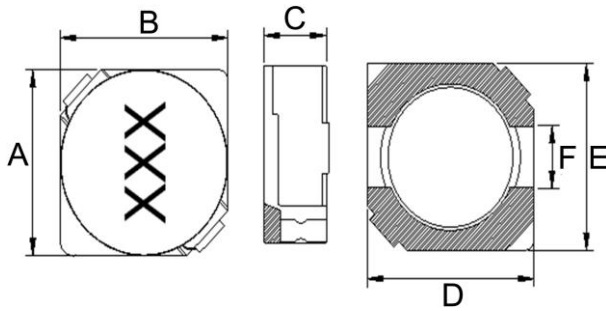


Dimensions in mm

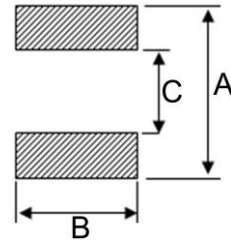
TYPE	Shape and Dimensions						Recommended Pattern		
	A	B	C	D	E	F	A	B	C
BPDC00050520	5.1Max	5.1Max	2.0Max	6.2Max	4.4	1.4	4	1.25	2
BPDC00050530	5.1Max	5.1Max	3.0Max	6.2Max	4.4	1.4	4	1.25	2

SMD Shielded Power Inductors – BPDx Series

Shape and Dimensions



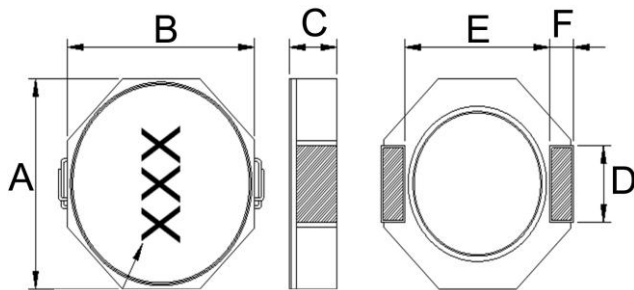
Recommended Pattern



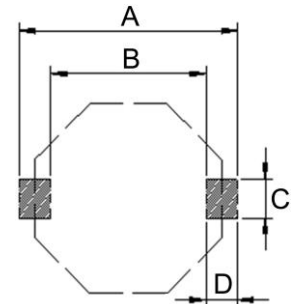
Dimensions in mm

TYPE	Shape and Dimensions						Recommended Pattern		
	A	B	C	D	E	F	A	B	C
BPDR00040416	3.8±0.2	3.8±0.2	1.6±0.3	3.7	3.7	1.2	4.4	4.4	1.2
BPDR00050520	4.7±0.3	4.7±0.3	2.0Max	4.5	4.5	1.5	5.3	5.3	1.5
BPDR00050530	4.7±0.3	4.7±0.3	3.0Max	4.5	4.5	1.5	5.3	5.3	1.5
BPDR00060620	5.7±0.3	5.7±0.3	2.0Max	5.5	5.5	2.0	6.3	6.3	2.0
BPDR00060630	5.7±0.3	5.7±0.3	3.0Max	5.5	5.5	2.0	6.3	6.3	2.0
BPDx00070730	6.7±0.3	6.7±0.3	3.0Max	6.5	6.5	2.0	7.3	7.3	2.0
BPDR00070740	6.7±0.3	6.7±0.3	4.0Max	6.5	6.5	2.0	7.3	7.3	2.0

Shape and Dimensions



Recommended Pattern



Dimensions in mm

TYPE	Shape and Dimensions						Recommended Pattern			
	A	B	C	D	E	F	A	B	C	D
BPDR00080830	8.0±0.2	8.0±0.2	3.0Max	2.5	6.3	1.2	10.1	6.1	2.8	2
BPDR00080840	8.0±0.2	8.0±0.2	4.0Max	2.5	6.3	1.2	10.1	6.1	2.8	2
BPDR00080845	8.0±0.2	8.0±0.2	4.5Max	2.5	6.3	1.2	10.1	6.1	2.8	2

SMD Shielded Power Inductors – BPDC Series

Standard Specifications

Part Number	Inductance (uH)	Tolerance (±%)	Test Frequency (kHz)	RDC (Ω)Max	Rated Current (A)Max	Marking
BPDC000505201R1□00	1.1	30	100	0.029	2.4	1R1
BPDC000505201R2□00	1.2	30	100	0.029	2.4	1R2
BPDC000505202R2□00	2.2	20,30	100	0.039	1.7	2R2
BPDC000505203R0□00	3.0	30	100	0.061	1.5	3R0
BPDC000505203R3□00	3.3	20,30	100	0.061	1.5	3R3
BPDC000505204R7□00	4.7	20,30	100	0.110	1.15	4R7
BPDC000505206R8□00	6.8	30	100	0.125	1.05	6R8
BPDC00050520100□00	10	20,30	100	0.156	0.83	100
BPDC00050520150□00	15	20,30	100	0.194	0.70	150
BPDC00050520220□00	22	20,30	100	0.323	0.60	220
BPDC00050520330□00	33	20,30	100	0.550	0.46	330
BPDC00050520470□00	47	20,30	100	0.783	0.41	470
BPDC00050520680□00	68	20,30	100	1.16	0.305	680
BPDC00050520101□00	100	20,30	100	1.51	0.250	101

Note: When ordering, please specify tolerance code. Tolerance: M=±20% , T=±30%

- Operating temperature range – 40°C ~ 125°C (Including self - temperature rise)
- Rated Current : Based on inductance change ($\Delta L/L_0$: drop 35% Max.) @ ambient temp. 25°C and Based on temperature rise (ΔT : 40°C Typ.)

SMD Shielded Power Inductors – BPDC Series

Standard Specifications

Part Number	Inductance (uH)	Tolerance (±%)	Test Frequency (kHz)	RDC (Ω)Max	Rated Current (A)Max	Marking
BPDC000505301R1□00	1.1	30	100	0.022	3.8	1R1
BPDC000505302R0□00	2.0	20,30	100	0.029	2.6	2R0
BPDC000505303R2□00	3.2	30	100	0.042	2.3	3R2
BPDC000505304R7□00	4.7	20,30	100	0.063	1.8	4R7
BPDC000505306R3□00	6.3	30	100	0.094	1.3	6R3
BPDC00050530100□00	10	20,30	100	0.106	1.26	100
BPDC00050530150□00	15	20,30	100	0.137	1.05	150
BPDC00050530220□00	22	20,30	100	0.207	0.85	220
BPDC00050530330□00	33	20,30	100	0.331	0.70	330
BPDC00050530470□00	47	20,30	100	0.510	0.54	470
BPDC00050530680□00	68	20,30	100	0.625	0.49	680
BPDC00050530101□00	100	20,30	100	0.948	0.40	101

Note: When ordering, please specify tolerance code. Tolerance: M=±20% , T=±30%

- Operating temperature range – 40°C ~ 125°C (Including self - temperature rise)
- Rated Current : Based on inductance change ($\Delta L/Lo$: drop 35% Max.) @ ambient temp. 25°C and Based on temperature rise (ΔT : 40°C Typ.)

SMD Shielded Power Inductors – BPDH Series

Standard Specifications

Part Number	Inductance (uH)	Tolerance (±%)	Test Frequency (kHz)	RDC (Ω)Max	Isat (A)Max	Irms (A)Typ	Marking
BPDH000303201R3□00	1.3	30	100	0.044	1.90	2.5	1R3
BPDH000303201R5□00	1.5	30	100	0.044	1.85	2.2	1R5
BPDH000303201R7□00	1.7	30	100	0.044	1.85	2.2	1R7
BPDH000303202R2□00	2.2	20,30	100	0.060	1.60	1.9	2R2
BPDH000303203R3□00	3.3	20,30	100	0.086	1.45	1.55	3R3
BPDH000303203R9□00	3.9	30	100	0.125	1.30	1.35	3R9
BPDH000303204R7□00	4.7	20,30	100	0.140	1.20	1.20	4R7
BPDH000303206R3□00	6.3	20,30	100	0.160	1.05	1.15	6R3
BPDH0003032010□00	10	20,30	100	0.245	0.85	0.90	100
BPDH00030320150□00	15	20,30	100	0.345	0.7	0.64	150
BPDH00030320470□00	47	20,30	100	1.1	0.4	0.40	470

Note: When ordering, please specify tolerance code. Tolerance: M=±20% , T=±30%

- Operating temperature range – 40°C ~ 125°C (Including self - temperature rise)
- Isat for Inductance drop 35% from its value without current
- Irms for a 40°C temperature rise from 25°C ambient with current
- Rated DC Current : The less value which is Isat or Irms

SMD Shielded Power Inductors – BPDH Series

Standard Specifications

Part Number	Inductance (uH)	Tolerance (±%)	Test Frequency (kHz)	RDC (Ω)Max	Isat (A)Max	Irms (A)Typ	Marking
BPDH00040412R60□00	0.6	30	100	0.059	2.9	1.80	R60
BPDH000404121R2□00	1.2	30	100	0.082	2.0	1.70	1R2
BPDH000404121R5□00	1.5	30	100	0.104	1.85	1.45	1R5
BPDH000404122R2□00	2.2	30	100	0.143	1.60	1.15	2R2
BPDH000404122R5□00	2.5	20,30	100	0.150	1.55	1.10	2R5
BPDH000404123R3□00	3.3	30	100	0.182	1.25	0.95	3R3
BPDH000404124R7□00	4.7	20,30	100	0.234	1.00	0.90	4R7
BPDH000404125R6□00	5.6	20,30	100	0.305	0.93	0.80	5R6
BPDH000404126R8□00	6.8	30	100	0.377	0.85	0.70	6R8
BPDH00040412100□00	10	20,30	100	0.413	0.80	0.60	100
BPDH00040412120□00	12	20,30	100	0.585	0.64	0.48	120
BPDH00040412150□00	15	20,30	100	0.653	0.58	0.45	150
BPDH00040412180□00	18	20,30	100	0.888	0.52	0.40	180
BPDH00040412220□00	22	20,30	100	1.012	0.45	0.33	220

Note: When ordering, please specify tolerance code. Tolerance: M=±20% , T=±30%

- Operating temperature range – 40°C ~ 125°C (Including self - temperature rise)
- Isat for Inductance drop 35% from its value without current
- I rms for a 40°C temperature rise from 25°C ambient with current
- Rated DC Current : The less value which is Isat or I rms

SMD Shielded Power Inductors – BPDH Series

Standard Specifications

Part Number	Inductance (uH)	Tolerance (±%)	Test Frequency (kHz)	RDC (Ω)Max	Isat (A)Max	Irms (A)Typ	Marking
BPDH000404151R5□00	1.5	25,30	100	0.076	2.6	1.85	1R5
BPDH000404152R2□00	2.2	30	100	0.129	2.0	1.32	2R2
BPDH000404152R4□00	2.4	30	100	0.129	2.0	1.32	2R4
BPDH000404153R2□00	3.2	30	100	0.139	1.8	1.25	3R2
BPDH000404154R7□00	4.7	20,25,30	100	0.214	1.45	1.04	4R7
BPDH000404156R8□00	6.8	20,25,30	100	0.29	1.20	0.84	6R8
BPDH00040415100□00	10	20,25,30	100	0.44	1.00	0.67	100
BPDH00040415150□00	15	20,30	100	0.65	0.80	0.50	150
BPDH00040415180□00	18	20,30	100	0.74	0.73	0.49	180
BPDH00040415220□00	22	20,25,30	100	0.83	0.65	0.48	220

Note: When ordering, please specify tolerance code. Tolerance: M=±20% , Y=±25% , T=±30%

- Operating temperature range – 40°C ~ 125°C (Including self - temperature rise)
- Isat for Inductance drop 35% from its value without current
- I rms for a 40°C temperature rise from 25°C ambient with current
- Rated DC Current : The less value which is Isat or I rms

SMD Shielded Power Inductors – BPDH Series

Standard Specifications

Part Number	Inductance (uH)	Tolerance (±%)	Test Frequency (kHz)	RDC (Ω)Max	Isat (A)Max	Irms (A)Typ	Marking
BPDH000404181R0□00	1.0	30	100	0.048	2.5	2.8	1R0
BPDH000404181R2□00	1.2	30	100	0.0495	2.3	2.6	1R2
BPDH000404181R5□00	1.5	30	100	0.051	2.0	2.4	1R5
BPDH000404181R7□00	1.7	30	100	0.051	2.0	2.4	1R7
BPDH000404182R2□00	2.2	20,30	100	0.059	1.75	2.3	2R2
BPDH000404183R3□00	3.3	20,30	100	0.085	1.4	1.8	3R3
BPDH000404184R7□00	4.7	20,30	100	0.116	1.2	1.5	4R7
BPDH000404186R8□00	6.8	20,30	100	0.18	1.0	1.1	6R8
BPDH00040418100□00	10	20,30	100	0.23	0.84	1.0	100
BPDH00040418150□00	15	20,30	100	0.41	0.65	0.75	150
BPDH00040418220□00	22	20,30	100	0.61	0.55	0.52	220
BPDH00040418330□00	33	20,30	100	0.87	0.46	0.41	330
BPDH00040418470□00	47	20,30	100	0.95	0.42	0.37	470
BPDH00040418561□00	560	20,30	100	15	0.09	0.11	561

Note: When ordering, please specify tolerance code. Tolerance: M=±20% , T=±30%

- Operating temperature range – 40°C ~ 125°C (Including self - temperature rise)
- Isat for Inductance drop 35% from its value without current
- Irms for a 40°C temperature rise from 25°C ambient with current
- Rated DC Current : The less value which is Isat or Irms

SMD Shielded Power Inductors – BPDH Series

Standard Specifications

Part Number	Inductance (uH)	Tolerance (±%)	Test Frequency (kHz)	RDC (Ω)Max	Isat (A)Max	Irms (A)Typ	Marking
BPDH00060618R90□00	0.9	30	100	0.022	4.7	5.0	R90
BPDH000606182R2□00	2.2	20,30	100	0.0359	3.0	2.9	2R2
BPDH000606184R7□00	4.7	20,30	100	0.0641	2.1	2.1	4R7
BPDH00060618100□00	10	20,30	100	0.14	1.45	1.3	100
BPDH00060618150□00	15	20,30	100	0.24	1.10	1.1	150
BPDH00060618220□00	22	20,30	100	0.32	0.95	0.8	220

Note: When ordering, please specify tolerance code. Tolerance: M=±20% , T=±30%

- Operating temperature range – 40°C ~ 125°C (Including self - temperature rise)
- Isat for Inductance drop 35% from its value without current
- I rms for a 40°C temperature rise from 25°C ambient with current
- Rated DC Current : The less value which is Isat or I rms

SMD Shielded Power Inductors – BPDH Series

Standard Specifications

Part Number	Inductance (uH)	Tolerance (±%)	Test Frequency (kHz)	RDC (Ω)Max	Isat (A)Max	Irms (A)Typ	Marking
BPDH000707304R7□00	4.7	20,30	100	0.042	3.5	3.5	4R7
BPDH00070730100□00	10	20,30	100	0.085	2.3	2.3	100
BPDH00070730150□00	15	20,30	100	0.128	2.0	1.45	150
BPDH00070730220□00	22	20,30	100	0.174	1.7	1.2	220
BPDH00070730330□00	33	20,30	100	0.250	1.5	1.1	330

Note: When ordering, please specify tolerance code. Tolerance: M=±20% , T=±30%

- Operating temperature range – 40°C ~ 125°C (Including self - temperature rise)
- Isat for Inductance drop 35% from its value without current
- I rms for a 40°C temperature rise from 25°C ambient with current
- Rated DC Current : The less value which is Isat or I rms

SMD Shielded Power Inductors – BPDF Series

Standard Specifications

Part Number	Inductance (uH)	Tolerance (±%)	Test Frequency (kHz)	RDC (Ω)Max	Isat (A)Max	Irms (A)Typ	Marking
BPDF000303121R5□00	1.5	30	100	0.068	0.90	1.48	1R5
BPDF000303122R2□00	2.2	30	100	0.098	0.78	1.27	2R2
BPDF000303123R3□00	3.3	30	100	0.123	0.60	1.02	3R3
BPDF000303124R7□00	4.7	20,30	100	0.17	0.50	0.88	4R7
BPDF000303126R8□00	6.8	30	100	0.26	0.44	0.80	6R8
BPDF00030312100□00	10	20,30	100	0.40	0.35	0.65	100
BPDF00030312150□00	15	20,30	100	0.52	0.31	0.60	150
BPDF00030312220□00	22	20,30	100	0.67	0.27	0.55	220
BPDF00030312330□00	33	20,30	100	1.00	0.22	0.40	330

Note: When ordering, please specify tolerance code. Tolerance: M=±20% , T=±30%

- Operating temperature range – 40°C ~ 125°C (Including self - temperature rise)
- Isat for Inductance drop 35% from its value without current
- I rms for a 40°C temperature rise from 25°C ambient with current
- Rated DC Current : The less value which is Isat or I rms

SMD Shielded Power Inductors – BPDF Series

Standard Specifications

Part Number	Inductance (uH)	Tolerance (±%)	Test Frequency (kHz)	RDC (Ω)Max	Isat (A)Max	Irms (A)Typ	Marking
BPDF000303202R2□00	2.2	20,30	100	0.041	0.85	2.3	2R2
BPDF000303203R3□00	3.3	20,30	100	0.054	0.75	2.1	3R3
BPDF000303204R7□00	4.7	30	100	0.078	0.63	1.65	4R7
BPDF000303206R8□00	6.8	30	100	0.106	0.52	1.32	6R8
BPDF0003032010□00	10	20,30	100	0.18	0.43	1.00	10
BPDF0003032015□00	15	30	100	0.22	0.35	0.80	15
BPDF0003032022□00	22	20,30	100	0.32	0.30	0.68	22
BPDF0003032033□00	33	20,30	100	0.46	0.24	0.56	33
BPDF0003032047□00	47	20,30	100	0.66	0.20	0.48	47

Note: When ordering, please specify tolerance code. Tolerance: M=±20% , T=±30%

- Operating temperature range – 40°C ~ 125°C (Including self - temperature rise)
- Isat for Inductance drop 35% from its value without current
- I rms for a 40°C temperature rise from 25°C ambient with current
- Rated DC Current : The less value which is Isat or I rms

SMD Shielded Power Inductors – BPDN Series

Standard Specifications

Part Number	Inductance (uH)	Tolerance (±%)	Test Frequency (kHz)	RDC (Ω)Max	Isat (A)Max	Irms (A)Typ	Marking
BPDN000404152R2□00	2.2	25,30	100	0.055	1.15	2.2	2R2
BPDN000404154R7□00	4.7	25,30	100	0.105	0.75	1.45	4R7

Note: When ordering, please specify tolerance code. Tolerance: Y=±25% , T=±30%

- Operating temperature range – 40°C ~ 125°C (Including self - temperature rise)
- Isat for Inductance drop 35% from its value without current
- Irms for a 40°C temperature rise from 25°C ambient with current
- Rated DC Current : The less value which is Isat or Irms

SMD Shielded Power Inductors – BPDN Series

Standard Specifications

Part Number	Inductance (uH)	Tolerance (±%)	Test Frequency (kHz)	RDC (Ω)Max	Isat (A)Max	Irms (A)Typ	Marking
BPDN000404231R0□00	1.0	25	100	0.025	2.8	3.1	1R0
BPDN000404231R5□00	1.5	25	100	0.029	2.2	2.9	1R5
BPDN000404232R2□00	2.2	25	100	0.0383	1.8	2.5	2R2
BPDN000404233R3□00	3.3	25	100	0.0563	1.45	2.2	3R3
BPDN000404234R7□00	4.7	25	100	0.0688	1.30	1.9	4R7
BPDN000404235R6□00	5.6	25	100	0.075	1.10	1.8	5R6
BPDN000404236R8□00	6.8	25	100	0.0878	1.00	1.7	6R8
BPDN000404238R2□00	8.2	25	100	0.0948	0.95	1.6	8R2
BPDN0004042310□00	10	20,25	100	0.117	0.85	1.4	100
BPDN00040423150□00	15	20,25	100	0.119	0.70	0.85	150
BPDN00040423220□00	22	20,25	100	0.270	0.55	0.75	220
BPDN00040423330□00	33	20,25	100	0.381	0.50	0.60	330
BPDN00040423470□00	47	20,25	100	0.546	0.35	0.55	470

Note: When ordering, please specify tolerance code. Tolerance: M=±20% , Y=±25%

- Operating temperature range – 40°C ~ 125°C (Including self - temperature rise)
- Isat for Inductance drop 35% from its value without current
- I rms for a 40°C temperature rise from 25°C ambient with current
- Rated DC Current : The less value which is Isat or I rms

SMD Shielded Power Inductors – BPDN Series

Standard Specifications

Part Number	Inductance (uH)	Tolerance (±%)	Test Frequency (kHz)	RDC (Ω)Max	Isat (A)Max	Irms (A)Typ	Marking
BPDN000404301R0□00	1.0	30	100	0.021	3.7	5.2	1R0
BPDN000404302R2□00	2.2	30	100	0.045	2.5	2.2	2R2
BPDN000404303R3□00	3.3	30	100	0.0721	2.0	1.85	3R3
BPDN000404304R7□00	4.7	30	100	0.0883	1.65	1.62	4R7
BPDN000404306R8□00	6.8	30	100	0.119	1.24	1.32	6R8
BPDN00040430100□00	10	30	100	0.145	1.05	1.18	100
BPDN00040430150□00	15	30	100	0.213	0.90	1.02	150
BPDN00040430220□00	22	30	100	0.335	0.76	0.74	220
BPDN00040430330□00	33	30	100	0.481	0.58	0.63	330
BPDN00040430470□00	47	30	100	0.599	0.48	0.56	470

Note: When ordering, please specify tolerance code. Tolerance: T=±30%

- Operating temperature range – 40°C ~ 125°C (Including self - temperature rise)
- Isat for Inductance drop 35% from its value without current
- Irms for a 40°C temperature rise from 25°C ambient with current
- Rated DC Current : The less value which is Isat or Irms

SMD Shielded Power Inductors – BPDR Series

Standard Specifications

Part Number	Inductance (uH)	Tolerance (±%)	Test Frequency (kHz)	RDC (Ω)Max	Rated Current (A)Max	Marking
BPDR000404162R2□00	2.2	20,30	100	0.072	1.2	2R2
BPDR000404163R3□00	3.3	30	100	0.085	1.1	3R3
BPDR000404164R7□00	4.7	20,30	100	0.105	0.9	4R7
BPDR000404166R2□00	6.2	30	100	0.16	0.8	6R2
BPDR000404166R8□00	6.8	20,30	100	0.17	0.73	6R8
BPDR000404168R2□00	8.2	30	100	0.20	0.65	8R2
BPDR00040416100□00	10	20,30	100	0.21	0.55	100
BPDR00040416150□00	15	20,30	100	0.295	0.45	150
BPDR00040416220□00	22	20,30	100	0.43	0.40	220
BPDR00040416330□00	33	20,30	100	0.675	0.32	330
BPDR00040416390□00	39	20,30	100	0.82	0.26	390
BPDR00040416470□00	47	20,30	100	0.99	0.24	470
BPDR00040416680□00	68	20,30	100	1.1	0.22	680
BPDR00040416101□00	100	20,30	100	2.2	0.17	101
BPDR00040416221□00	220	20,30	100	4.0	0.15	221

Note: When ordering, please specify tolerance code. Tolerance: M=±20% , T=±30%

- Operating temperature range – 40°C ~ 125°C (Including self - temperature rise)
- Rated Current : Based on inductance change ($\Delta L/L_0$: drop 35% Max.) @ ambient temp. 25°C and Based on temperature rise (ΔT : 40°C Typ.)

SMD Shielded Power Inductors – BPDR Series

Standard Specifications

Part Number	Inductance (uH)	Tolerance (±%)	Test Frequency (kHz)	RDC (Ω)Max	Rated Current (A)Max	Marking
BPDR000505201R0□00	1.0	30	100	0.045	1.72	1R0
BPDR000505202R2□00	2.2	30	100	0.075	1.32	2R2
BPDR000505202R7□00	2.7	30	100	0.105	1.28	2R7
BPDR000505203R3□00	3.3	30	100	0.110	1.04	3R3
BPDR000505203R9□00	3.9	30	100	0.155	0.88	3R9
BPDR000505204R7□00	4.7	20,30	100	0.162	0.84	4R7
BPDR000505205R6□00	5.6	20,30	100	0.170	0.80	5R6
BPDR000505206R8□00	6.8	20,30	100	0.200	0.76	6R8
BPDR000505208R2□00	8.2	20,30	100	0.245	0.68	8R2
BPDR00050520100□00	10	20,30	100	0.260	0.61	100
BPDR00050520120□00	12	20,30	100	0.280	0.56	120
BPDR00050520150□00	15	20,30	100	0.310	0.50	150
BPDR00050520180□00	18	20,30	100	0.338	0.48	180
BPDR00050520220□00	22	20,30	100	0.397	0.41	220
BPDR00050520270□00	27	20,30	100	0.441	0.35	270
BPDR00050520330□00	33	20,30	100	0.694	0.32	330
BPDR00050520390□00	39	20,30	100	0.709	0.30	390
BPDR00050520101□00	100	20,30	100	1.4	0.20	101
BPDR00050520221□00	220	20,30	100	2.4	0.15	221

Note: When ordering, please specify tolerance code. Tolerance: M=±20% , T=±30%

- Operating temperature range – 40°C ~ 125°C (Including self - temperature rise)
- Rated Current : Based on inductance change ($\Delta L/L_0$: drop 35% Max.) @ ambient temp. 25°C and Based on temperature rise (ΔT : 40°C Typ.)

SMD Shielded Power Inductors – BPDR Series

Standard Specifications

Part Number	Inductance (uH)	Tolerance (±%)	Test Frequency (kHz)	RDC (Ω)Max	Rated Current (A)Max	Marking
BPDR000505301R0□00	1.0	30	100	0.0236	2.56	1R0
BPDR000505301R2□00	1.2	30	100	0.0236	2.56	1R2
BPDR000505301R8□00	1.8	20,30	100	0.0275	2.20	1R8
BPDR000505302R2□00	2.2	20,30	100	0.0313	2.04	2R2
BPDR000505302R7□00	2.7	30	100	0.0433	1.60	2R7
BPDR000505303R3□00	3.3	20,30	100	0.0492	1.57	3R3
BPDR000505303R9□00	3.9	30	100	0.0648	1.44	3R9
BPDR000505304R7□00	4.7	20,30	100	0.0720	1.32	4R7
BPDR000505305R6□00	5.6	20,30	100	0.1009	1.17	5R6
BPDR000505306R8□00	6.8	20,30	100	0.1089	1.12	6R8
BPDR000505308R2□00	8.2	20,30	100	0.1175	1.04	8R2
BPDR00050530100□00	10	20,30	100	0.1283	1.00	100
BPDR00050530120□00	12	20,30	100	0.1316	0.84	120
BPDR00050530150□00	15	20,30	100	0.149	0.76	150
BPDR00050530180□00	18	20,30	100	0.166	0.72	180
BPDR00050530220□00	22	20,30	100	0.235	0.70	220
BPDR00050530270□00	27	20,30	100	0.261	0.58	270
BPDR00050530330□00	33	20,30	100	0.3313	0.56	330
BPDR00050530390□00	39	20,30	100	0.3837	0.50	390
BPDR00050530470□00	47	20,30	100	0.587	0.48	470
BPDR00050530560□00	56	20,30	100	0.6245	0.41	560
BPDR00050530680□00	68	20,30	100	0.699	0.35	680
BPDR00050530820□00	82	20,30	100	0.9148	0.32	820
BPDR00050530101□00	100	10,20	100	1.02	0.29	101
BPDR00050530121□00	120	10,20	100	1.27	0.27	121
BPDR00050530151□00	150	10,20	100	1.35	0.24	151
BPDR00050530181□00	180	10,20	100	1.54	0.22	181
BPDR00050530271□00	270	20,30	100	3.00	0.16	271

Note: When ordering, please specify tolerance code. Tolerance: K=±10% , M=±20% , T=±30%

- Operating temperature range – 40°C ~ 125°C (Including self - temperature rise)
- Rated Current : Based on inductance change ($\Delta L/L_0$: drop 35% Max.) @ ambient temp. 25°C and Based on temperature rise (ΔT : 40°C Typ.)

SMD Shielded Power Inductors – BPDR Series

Standard Specifications

Part Number	Inductance (uH)	Tolerance (±%)	Test Frequency (kHz)	RDC (Ω)Max	Rated Current (A)Max	Marking
BPDR000606204R1□00	4.1	30	100	0.057	1.95	4R1
BPDR000606205R4□00	5.4	30	100	0.076	1.60	5R4
BPDR000606206R2□00	6.2	20,30	100	0.096	1.40	6R2
BPDR000606206R8□00	6.8	20,30	100	0.096	1.40	6R8
BPDR000606208R9□00	8.9	20,30	100	0.116	1.25	8R9
BPDR00060620100□00	10	20,30	100	0.124	1.20	100
BPDR00060620120□00	12	20,30	100	0.153	1.10	120
BPDR00060620150□00	15	20,30	100	0.196	0.97	150
BPDR00060620180□00	18	20,30	100	0.21	0.85	180
BPDR00060620220□00	22	20,30	100	0.29	0.80	220
BPDR00060620270□00	27	20,30	100	0.33	0.75	270
BPDR00060620330□00	33	20,30	100	0.385	0.65	330
BPDR00060620390□00	39	20,30	100	0.52	0.57	390
BPDR00060620470□00	47	20,30	100	0.595	0.54	470
BPDR00060620560□00	56	20,30	100	0.665	0.50	560
BPDR00060620680□00	68	20,30	100	0.84	0.43	680
BPDR00060620820□00	82	20,30	100	0.978	0.41	820
BPDR00060620101□00	100	10,20	100	1.2	0.36	101

Note: When ordering, please specify tolerance code. Tolerance: K=±10% , M=±20% , T=±30%

- Operating temperature range – 40°C ~ 125°C (Including self - temperature rise)
- Rated Current : Based on inductance change ($\Delta L/L_0$: drop 35% Max.) @ ambient temp. 25°C and Based on temperature rise (ΔT : 40°C Typ.)

SMD Shielded Power Inductors – BPDR Series

Standard Specifications

Part Number	Inductance (uH)	Tolerance (±%)	Test Frequency (kHz)	RDC (Ω)Max	Rated Current (A)Max	Marking
BPDR000606301R0□00	1.0	30	100	0.012	3.7	1R0
BPDR000606301R2□00	1.2	30	100	0.013	3.5	1R2
BPDR000606302R2□00	2.2	30	100	0.018	2.8	2R2
BPDR000606302R5□00	2.5	30	100	0.018	2.6	2R5
BPDR000606302R7□00	2.7	30	100	0.018	2.6	2R7
BPDR000606303R0□00	3.0	30	100	0.024	2.4	3R0
BPDR000606303R3□00	3.3	20,30	100	0.024	2.4	3R3
BPDR000606303R9□00	3.9	30	100	0.031	2.2	3R9
BPDR000606304R2□00	4.2	30	100	0.031	2.2	4R2
BPDR000606304R7□00	4.7	20,30	100	0.035	2.0	4R7
BPDR000606305R3□00	5.3	30	100	0.038	1.9	5R3
BPDR000606306R2□00	6.2	20,30	100	0.045	1.8	6R2
BPDR000606306R6□00	6.6	20,30	100	0.045	1.8	6R6
BPDR000606308R2□00	8.2	20,30	100	0.053	1.6	8R2
BPDR00060630100□00	10	20,30	100	0.065	1.3	100
BPDR00060630120□00	12	20,30	100	0.076	1.2	120
BPDR00060630150□00	15	20,30	100	0.103	1.1	150
BPDR00060630180□00	18	20,30	100	0.110	1.0	180
BPDR00060630220□00	22	20,30	100	0.112	0.9	220
BPDR00060630270□00	27	20,30	100	0.175	0.85	270
BPDR00060630330□00	33	20,30	100	0.189	0.75	330
BPDR00060630390□00	39	20,30	100	0.212	0.7	390
BPDR00060630470□00	47	20,30	100	0.250	0.62	470
BPDR00060630560□00	56	20,30	100	0.305	0.58	560
BPDR00060630680□00	68	20,30	100	0.355	0.52	680
BPDR00060630820□00	82	20,30	100	0.463	0.46	820
BPDR00060630101□00	100	20,30	100	0.52	0.42	101
BPDR00060630151□00	150	20,30	100	1.05	0.35	151
BPDR00060630181□00	180	20,30	100	1.55	0.32	181
BPDR00060630221□00	220	20,30	100	1.90	0.28	221

Note: When ordering, please specify tolerance code. Tolerance: M=±20% , T=±30%

- Operating temperature range – 40°C ~ 125°C (Including self - temperature rise)
- Rated Current : Based on inductance change ($\Delta L/L_0$: drop 35% Max.) @ ambient temp. 25°C and Based on temperature rise (ΔT : 40°C Typ.)

SMD Shielded Power Inductors – BPDR Series

Standard Specifications

Part Number	Inductance (uH)	Tolerance (±%)	Test Frequency (kHz)	RDC (Ω)Max	Rated Current (A)Max	Marking
BPDR000707301R2□00	1.2	30	100	0.014	4.5	1R2
BPDR000707301R5□00	1.5	30	100	0.015	4.0	1R5
BPDR000707302R2□00	2.2	20,30	100	0.020	3.5	2R2
BPDR000707303R0□00	3.0	30	100	0.024	3.0	3R0
BPDR000707303R3□00	3.3	30	100	0.025	3.0	3R3
BPDR000707303R6□00	3.6	30	100	0.027	2.6	3R6
BPDR000707303R9□00	3.9	30	100	0.027	2.6	3R9
BPDR000707304R7□00	4.7	20,30	100	0.030	2.5	4R7
BPDR000707305R0□00	5.0	30	100	0.031	2.4	5R0
BPDR000707306R0□00	6.0	30	100	0.035	2.25	6R0
BPDR000707306R8□00	6.8	30	100	0.054	2.1	6R8
BPDR000707307R3□00	7.3	30	100	0.054	2.1	7R3
BPDR000707308R6□00	8.6	30	100	0.058	1.85	8R6
BPDR000707309R0□00	9.0	20,30	100	0.058	1.85	9R0
BPDR00070730100□00	10	20,30	100	0.065	1.7	100
BPDR00070730120□00	12	20,30	100	0.070	1.55	120
BPDR00070730150□00	15	20,30	100	0.084	1.4	150
BPDR00070730180□00	18	20,30	100	0.095	1.32	180
BPDR00070730220□00	22	20,30	100	0.128	1.2	220
BPDR00070730270□00	27	20,30	100	0.142	1.05	270
BPDR00070730330□00	33	20,30	100	0.165	0.97	330
BPDR00070730390□00	39	20,30	100	0.210	0.86	390
BPDR00070730470□00	47	20,30	100	0.238	0.80	470
BPDR00070730560□00	56	20,30	100	0.277	0.73	560
BPDR00070730680□00	68	20,30	100	0.304	0.65	680
BPDR00070730820□00	82	20,30	100	0.390	0.60	820
BPDR00070730101□00	100	20,30	100	0.535	0.54	101
BPDR00070730151□00	150	20,30	100	0.72	0.40	151

Note: When ordering, please specify tolerance code. Tolerance: M=±20% , T=±30%

- Operating temperature range – 40°C ~ 125°C (Including self - temperature rise)
- Rated Current : Based on inductance change ($\Delta L/L_0$: drop 35% Max.) @ ambient temp. 25°C and Based on temperature rise (ΔT : 40°C Typ.)

SMD Shielded Power Inductors – BPDR Series

Standard Specifications

Part Number	Inductance (uH)	Tolerance (±%)	Test Frequency (kHz)	RDC (Ω)Max	Rated Current (A)Max	Marking
BPDR000707401R0□00	1.0	30	100	0.010	4.5	1R0
BPDR000707401R5□00	1.5	30	100	0.011	4.3	1R5
BPDR000707402R2□00	2.2	30	100	0.015	4.0	2R2
BPDR000707403R3□00	3.3	20,30	100	0.020	3.5	3R3
BPDR000707403R8□00	3.	30	100	0.020	3.5	3R8
BPDR000707405R0□00	5.0	30	100	0.024	2.9	5R0
BPDR000707406R2□00	6.2	30	100	0.027	2.5	6R2
BPDR000707406R8□00	6.8	20,30	100	0.027	2.4	6R8
BPDR000707407R4□00	7.4	30	100	0.031	2.3	7R4
BPDR000707408R2□00	8.2	30	100	0.034	2.2	8R2
BPDR000707408R7□00	8.7	30	100	0.034	2.2	8R7
BPDR00070740100□00	10	20,30	100	0.038	2.0	100
BPDR00070740120□00	12	20,30	100	0.053	1.7	120
BPDR00070740150□00	15	20,30	100	0.057	1.6	150
BPDR00070740180□00	18	20,30	100	0.092	1.5	180
BPDR00070740220□00	22	20,30	100	0.096	1.3	220
BPDR00070740270□00	27	20,30	100	0.109	1.2	270
BPDR00070740330□00	33	20,30	100	0.124	1.1	330
BPDR00070740390□00	39	20,30	100	0.138	1.0	390
BPDR00070740470□00	47	20,30	100	0.155	0.95	470
BPDR00070740560□00	56	20,30	100	0.202	0.85	560
BPDR00070740680□00	68	20,30	100	0.234	0.75	680
BPDR00070740820□00	82	20,30	100	0.324	0.70	820
BPDR00070740101□00	100	10,20,30	100	0.358	0.65	101
BPDR00070740221□00	220	20,30	100	1.50	0.45	221
BPDR00070740331□00	330	20,30	100	1.55	0.35	331

Note: When ordering, please specify tolerance code. Tolerance: K=±10% , M=±20% , T=±30%

- Operating temperature range – 40°C ~125°C (Including self - temperature rise)
- Rated Current : Based on inductance change ($\Delta L/L_0$: drop 35% Max.) @ ambient temp. 25°C and Based on temperature rise (ΔT : 40°C Typ.)

SMD Shielded Power Inductors – BPDR Series

Standard Specifications

Part Number	Inductance (uH)	Tolerance (±%)	Test Frequency (kHz)	RDC (Ω)Max	Isat (A)Max	Irms (A)Typ	Marking
BPDR000808302R5□00	2.5	30	100	0.0156	4.5	6.4	2R5
BPDR000808303R3□00	3.3	20,30	100	0.0182	4.0	6.0	3R3
BPDR000808303R6□00	3.6	20,30	100	0.0240	3.8	4.6	3R6
BPDR000808304R7□00	4.7	20,30	100	0.0247	3.4	4.5	4R7
BPDR000808307R3□00	7.3	30	100	0.039	2.8	3.4	7R3
BPDR00080830100□00	10	20,30	100	0.047	2.5	3.2	100
BPDR00080830150□00	15	20,30	100	0.069	1.9	2.35	150
BPDR00080830220□00	22	20,30	100	0.099	1.6	1.85	220
BPDR00080830330□00	33	20,30	100	0.156	1.3	1.45	330
BPDR00080830470□00	47	20,30	100	0.195	1.15	1.30	470
BPDR00080830680□00	68	20,30	100	0.286	0.92	0.98	680
BPDR00080830101□00	100	20,30	100	0.430	0.75	0.80	101

Note: When ordering, please specify tolerance code. Tolerance: M=±20% , T=±30%

- Operating temperature range – 40°C ~ 125°C (Including self - temperature rise)
- Isat for Inductance drop 35% from its value without current
- Irms for a 40°C temperature rise from 25°C ambient with current
- Rated DC Current : The less value which is Isat or Irms

SMD Shielded Power Inductors – BPDR Series

Standard Specifications

Part Number	Inductance (uH)	Tolerance (±%)	Test Frequency (kHz)	RDC (Ω)Max	Isat (A)Max	Irms (A)Typ	Marking
BPDR000808401R8□00	1.8	30	100	0.0156	7.0	6.8	1R8
BPDR000808402R5□00	2.5	30	100	0.0175	6.5	6.0	2R5
BPDR000808403R5□00	3.5	30	100	0.024	5.0	5.2	3R5
BPDR000808404R7□00	4.7	20,30	100	0.029	4.6	4.4	4R7
BPDR000808406R0□00	6.0	20,30	100	0.032	4.2	4.0	6R0
BPDR00080840100□00	10	20,30	100	0.048	3.0	3.2	100
BPDR00080840150□00	15	20,30	100	0.067	2.75	2.5	150
BPDR00080840220□00	22	20,30	100	0.105	2.3	2.0	220
BPDR00080840330□00	33	20,30	100	0.157	1.75	1.6	330
BPDR00080840390□00	39	20,30	100	0.173	1.65	1.51	390
BPDR00080840470□00	47	20,30	100	0.189	1.52	1.42	470
BPDR00080840680□00	68	20,30	100	0.29	1.3	1.08	680
BPDR00080840101□00	100	20,30	100	0.41	1.05	0.88	101

Note: When ordering, please specify tolerance code. Tolerance: M=±20% , T=±30%

- Operating temperature range – 40°C ~ 125°C (Including self - temperature rise)
- Isat for Inductance drop 35% from its value without current
- I rms for a 40°C temperature rise from 25°C ambient with current
- Rated DC Current : The less value which is Isat or I rms

SMD Shielded Power Inductors – BPDR Series

Standard Specifications

Part Number	Inductance (uH)	Tolerance (±%)	Test Frequency (kHz)	RDC (Ω)Max	Isat (A)Max	Irms (A)Typ	Marking
BPDR000808451R0□00	1.0	30	100	0.0122	8.0	6.2	1R0
BPDR000808451R2□00	1.2	30	100	0.0122	8.0	6.2	1R2
BPDR000808452R0□00	2.0	30	100	0.014	7.0	5.5	2R0
BPDR000808452R2□00	2.2	30	100	0.016	6.8	5.0	2R2
BPDR000808453R6□00	3.6	20,30	100	0.019	5.9	4.5	3R3
BPDR000808453R9□00	3.9	30	100	0.019	5.9	4.5	3R9
BPDR000808454R7□00	4.7	20,30	100	0.022	5.6	4.1	4R7
BPDR000808456R8□00	6.8	20,30	100	0.025	4.4	3.9	6R8
BPDR000808458R2□00	8.2	20,30	100	0.033	4.2	3.6	8R2
BPDR00080845100□00	10	20,30	100	0.036	4.0	3.2	100
BPDR00080845150□00	15	20,30	100	0.062	2.9	2.3	150
BPDR00080845220□00	22	20,30	100	0.075	2.6	1.8	220
BPDR00080845330□00	33	20,30	100	0.125	2.2	1.4	330
BPDR00080845470□00	47	20,30	100	0.150	1.8	1.3	470
BPDR00080845560□00	56	20,30	100	0.225	1.65	1.2	560
BPDR00080845680□00	68	20,30	100	0.240	1.5	1.0	680
BPDR00080845101□00	100	20,30	100	0.360	1.3	0.8	101
BPDR00080845121□00	120	20,30	100	0.51	1.0	0.7	121
BPDR00080845221□00	220	20,30	100	1.00	0.6	0.6	221

Note: When ordering, please specify tolerance code. Tolerance: M=±20% , T=±30%

- Operating temperature range – 40°C ~ 125°C (Including self - temperature rise)
- Isat for Inductance drop 35% from its value without current
- I rms for a 40°C temperature rise from 25°C ambient with current
- Rated DC Current : The less value which is Isat or I rms

SMD Shielded Power Inductors – BPDS Series

Standard Specifications

Part Number	Inductance (uH)	Tolerance (±%)	Test Frequency (kHz)	RDC (Ω)Max	Isat (A)Max	Irms (A)Typ	Marking
BPDS000303161R5□00	1.5	30	100	0.063	1.80	2.0	1R5
BPDS000303161R8□00	1.8	30	100	0.075	1.65	1.8	1R8
BPDS000303162R2□00	2.2	20,25,30	100	0.094	1.50	1.6	2R2
BPDS000303162R7□00	2.7	20,30	100	0.106	1.35	1.4	2R7
BPDS000303163R3□00	3.3	30	100	0.125	1.2	1.24	3R3
BPDS000303163R9□00	3.9	30	100	0.138	1.1	1.12	3R9
BPDS000303164R7□00	4.7	20,30	100	0.169	1.0	1.00	4R7
BPDS000303165R6□00	5.6	20,30	100	0.188	0.95	0.98	5R6
BPDS000303166R8□00	6.8	30	100	0.213	0.85	0.92	6R8
BPDS000303168R2□00	8.2	30	100	0.281	0.80	0.80	8R2
BPDS00030316100□00	10	20,30	100	0.294	0.70	0.76	100
BPDS00030316120□00	12	20,30	100	0.394	0.62	0.64	120
BPDS00030316220□00	22	20,30	100	0.65	0.30	0.30	220
BPDS00030316330□00	33	20,30	100	1.00	0.24	0.24	330
BPDS00030316470□00	47	20,30	100	1.25	0.20	0.20	470
BPDS00030316101□00	100	20,30	100	2.40	0.12	0.12	101

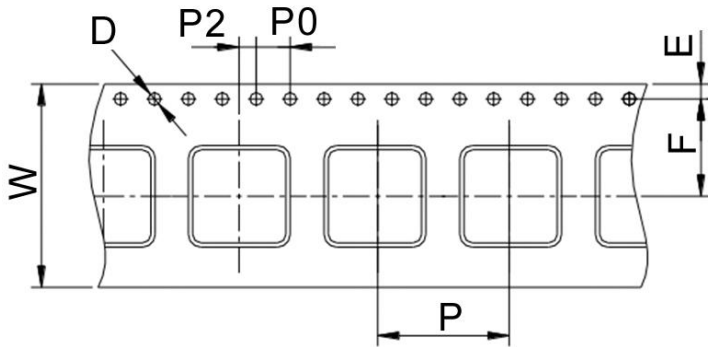
Note: When ordering, please specify tolerance code. Tolerance: M=±20% , Y=±25% , T=±30%

- Operating temperature range –40°C ~125°C (Including self - temperature rise)
- Isat for Inductance drop 35% from its value without current
- Irms for a 40°C temperature rise from 25°C ambient with current
- Rated DC Current : The less value which is Isat or Irms

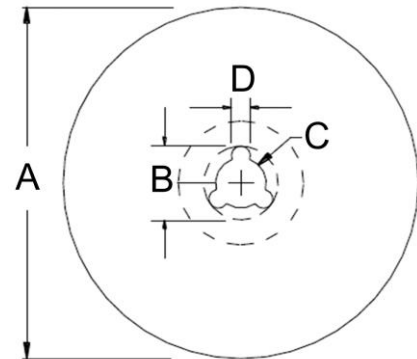
SMD Shielded Power Inductors – BPDx Series

Packaging Specifications

Tape Dimensions



Reel Dimensions



Dimensions in mm

TYPE	Tape Dimensions							Reel Dimensions				Quantity PCS / Reel
	W	D	E	F	P	P0	P2	A	B	C	D	
BPDL00030312	12	1.5	1.75	5.5	8	4	2	178	20	13	2	1000
BPDS00030316	12	1.5	1.75	5.5	8	4	2	178	20	13	2	1000
BPDx00030320	12	1.5	1.75	5.5	8	4	2	178	20	13	2	1000
BPDH00040412	12	1.5	1.75	5.5	8	4	2	178	20	13	2	1000
BPDx00040415	12	1.5	1.75	5.5	8	4	2	330	20	13	2	3500
BPDR00040416	12	1.5	1.75	5.5	8	4	2	330	20	13	2	3500
BPDH00040418	12	1.5	1.75	5.5	8	4	2	330	20	13	2	3500
BPDN00040423	12	1.5	1.75	5.5	8	4	2	330	20	13	2	2500
BPDN00040430	12	1.5	1.75	5.5	8	4	2	330	20	13	2	2000
BPDx00050520	12	1.5	1.75	5.5	8	4	2	330	20	13	2	2000
BPDx00050530	12	1.5	1.75	5.5	8	4	2	330	20	13	2	2000
BPDH00060618	12	1.5	1.75	5.5	8	4	2	330	20	13	2	2000
BPDR00060620	12	1.5	1.75	5.5	8	4	2	330	20	13	2	2000
BPDR00060630	12	1.5	1.75	5.5	8	4	2	330	20	13	2	2000
BPDx00070730	16	1.5	1.75	7.5	12	4	2	330	20	13	2	1000
BPDR00070740	16	1.5	1.75	7.5	12	4	2	330	20	13	2	1000
BPDR00080830	16	1.5	1.75	7.5	12	4	2	330	20	13	2	1000
BPDR00080840	16	1.5	1.75	7.5	16	4	2	330	20	13	2	900
BPDR00080845	16	1.5	1.75	7.5	16	4	2	330	20	13	2	900