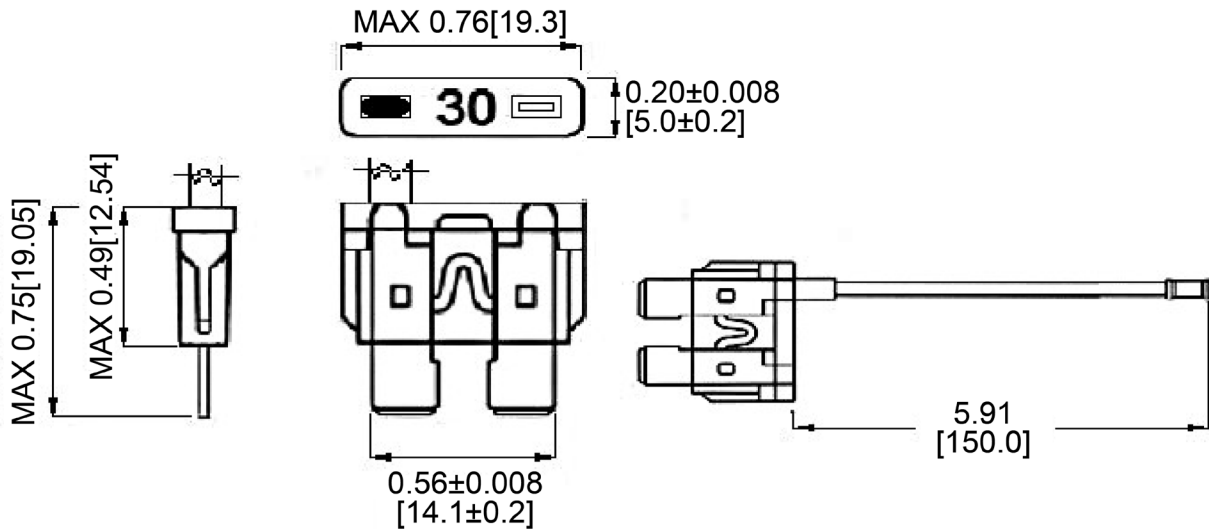


Mechanical Dimensions: Inches [mm]

Tolerances ± 0.012 [0.3] Unless Otherwise Specified



Part Numbers Information

Amperage	Body Color	Bulk Part #	Voltage Drop
2A	Gray	ANM-UL-2A	225mV
3A	Violet	ANM-UL-3A	200mV
4A	Pink	ANM-UL-4A	200mV
5A	Tan	ANM-UL-5A	175mV
7.5A	Brown	ANM-UL-7.5A	150mV
10A	Red	ANM-UL-10A	140mV

Electrical Specifications

Voltage Rating	32VDC
Interrupting Rating	1000A @ 32VDC
Interrupting Rating	US
Designed to meet ISO 8820 Standards	

Material Specifications

Body Material	PA66
Terminal Material	Zinc Alloy, Tin Plated

Time vs Percent of Rated Current

% of Rated Current	Min Hold Time	Max Hold Time
110%	100h	~
135%	750ms	1800s
200%	150ms	5s
350%	40ms	500ms
600%	20ms	200ms

Rev	Date of issue	Revision Notes	Designed	Approved
B	03-14-2025	Initial Drawing	RC	OF