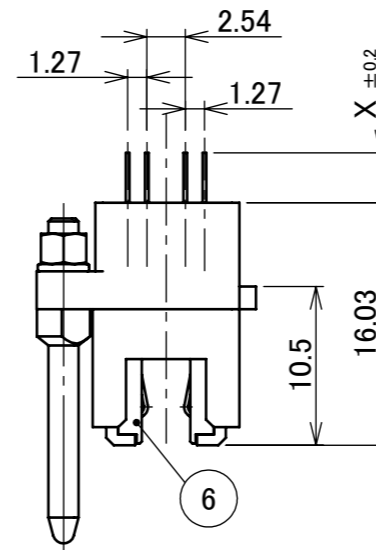
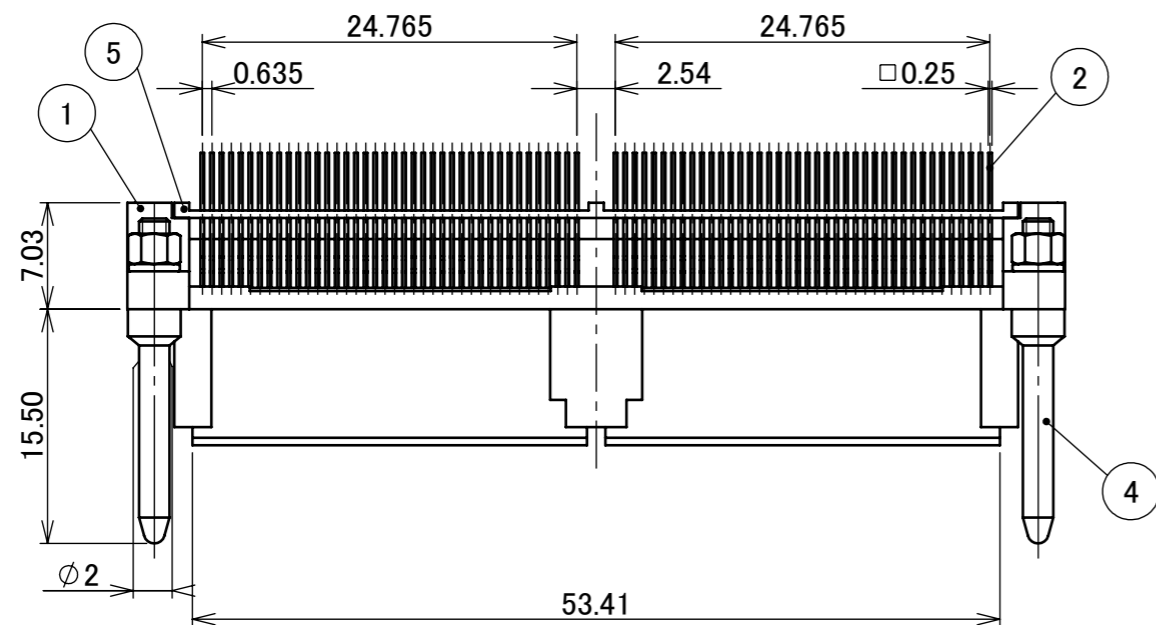


Recommended P/N 30056-160T-F

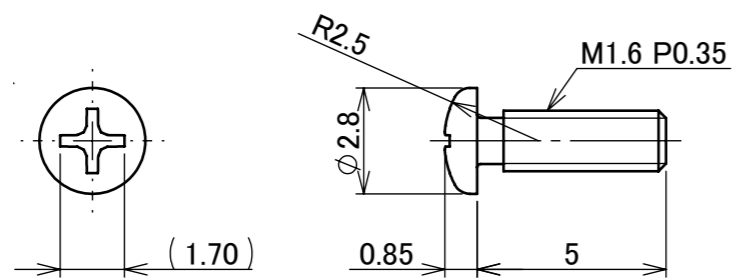
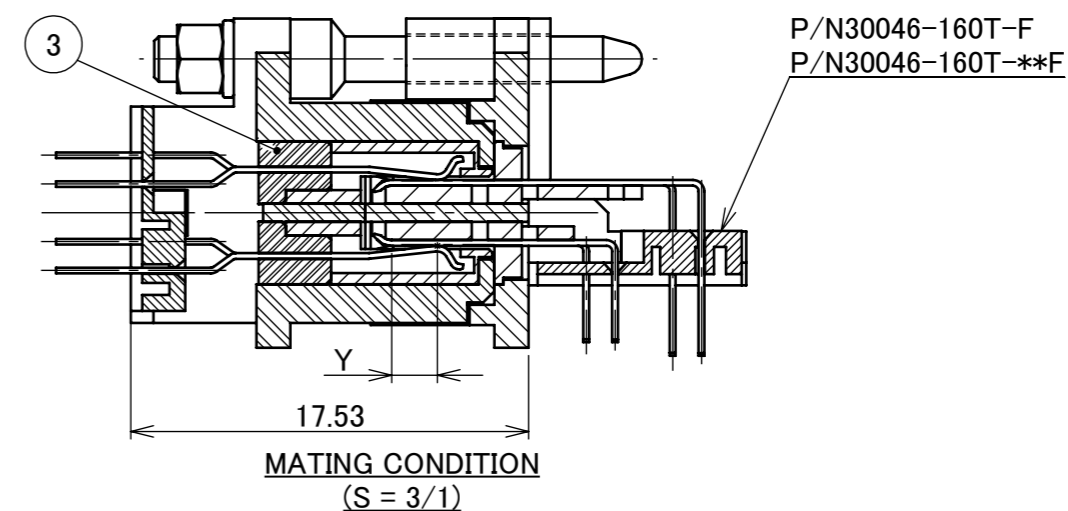
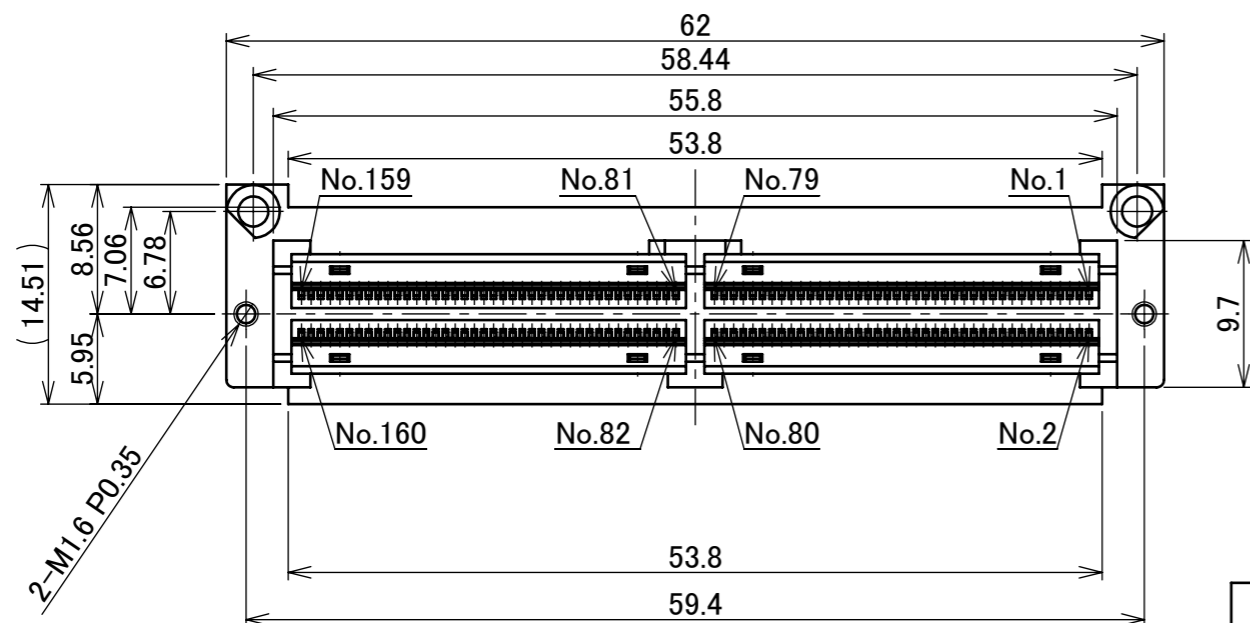
PART NO.	LEAD DIMENSION X	NOTES
30056-160T-F	3.3	WITH SCREW
30056-160T-01F		WITHOUT SCREW



RoHS Compliant



BE MATED	Y (MATING TRAVEL OF C/T)
P/N 30046-160T	1.4, 2.1



SCREW 90061-001
(S = 5/1)

NOTES

- CONNECTOR TO BE MATED: 30046
- ALLOWANCE DIMENSION OF GUIDE PIN : 0.8 mm

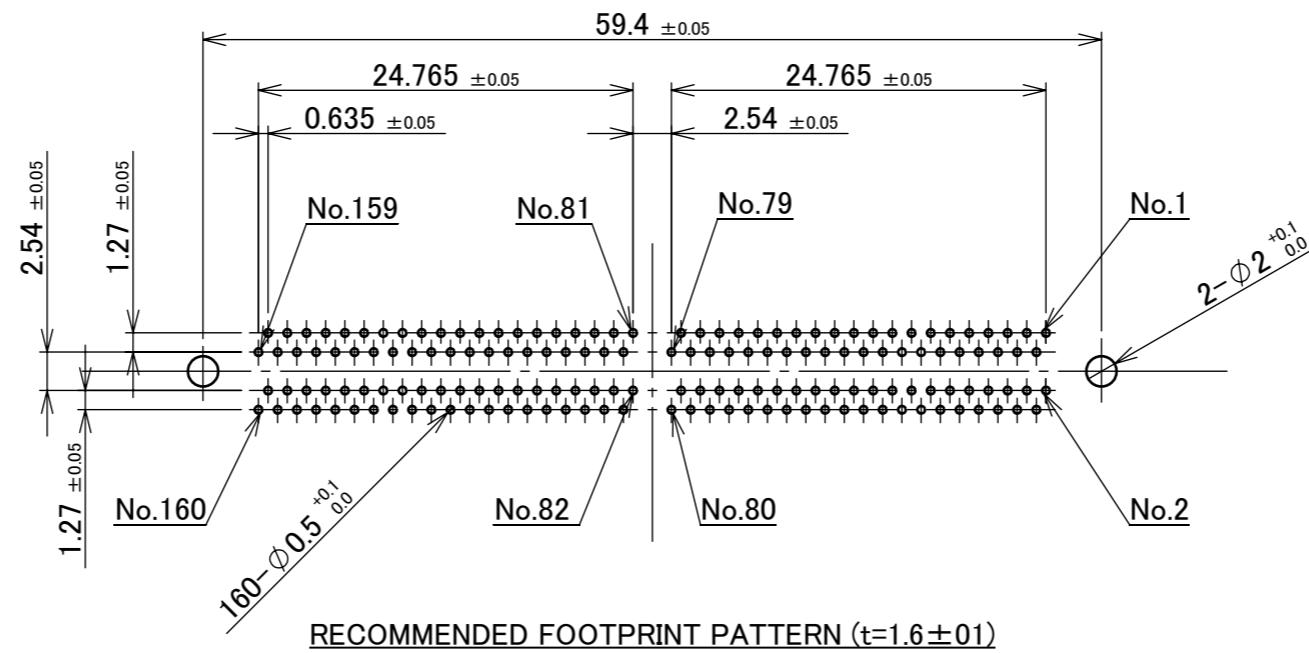
6	CONTACT GUIDE	PPS	BLACK UL94V-0
5	LOCATOR PLATE	PA	BLACK UL94V-0
4	GUIDE PIN	STEEL	Ni PLATING
3	RECE INSULATOR	PPS	BLACK UL94V-0
2	RECE CONTACT	COPPER ALLOY	CONTACT PART Au FLASH SOLDER TAIL Au FLASH
1	RECE SHELL	Zn ALLOY	Ni PLATING
NO.	DISCRIPTION	MATERIAL	FINISH , REMARKS

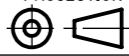

14	Z240897	K.W	July/09/'24	S.S	ANGLE	±2°	6 OVER 30 MAX.	±0.3	PROJECTION ⊕	SERIES No. R5	CUSTOMER COPY		
13	Z240688	Y.I	Jun./06/'24	M.T	6 MAX.	±0.2	30 OVER 120 MAX.	±0.5					
12	Z220241	M.H	Mar./18/'22	Y.H	GENERAL TOLERANCE.				TITLE MINIDOCK™ Slim Type CONNECTOR VERTICAL RECEPTACLE	SCALE 2:1	UNIT mm	SHEET 1/4	REV. 14
11	Z191328	IMI	Oct./01/'19	Y.S	DWG.	DATE 1998/10/16							
10	Z180838	R.H	June/28/'18	TAK	A.Hino								
9	Z171490	R.H	Dec./25/'17	M.T	T.Harada								
REV.	ECN	BY	DATE	APP.	K.Katabuchi			DWG. No.	30056	SIZE	A3		

REVISION RECORD

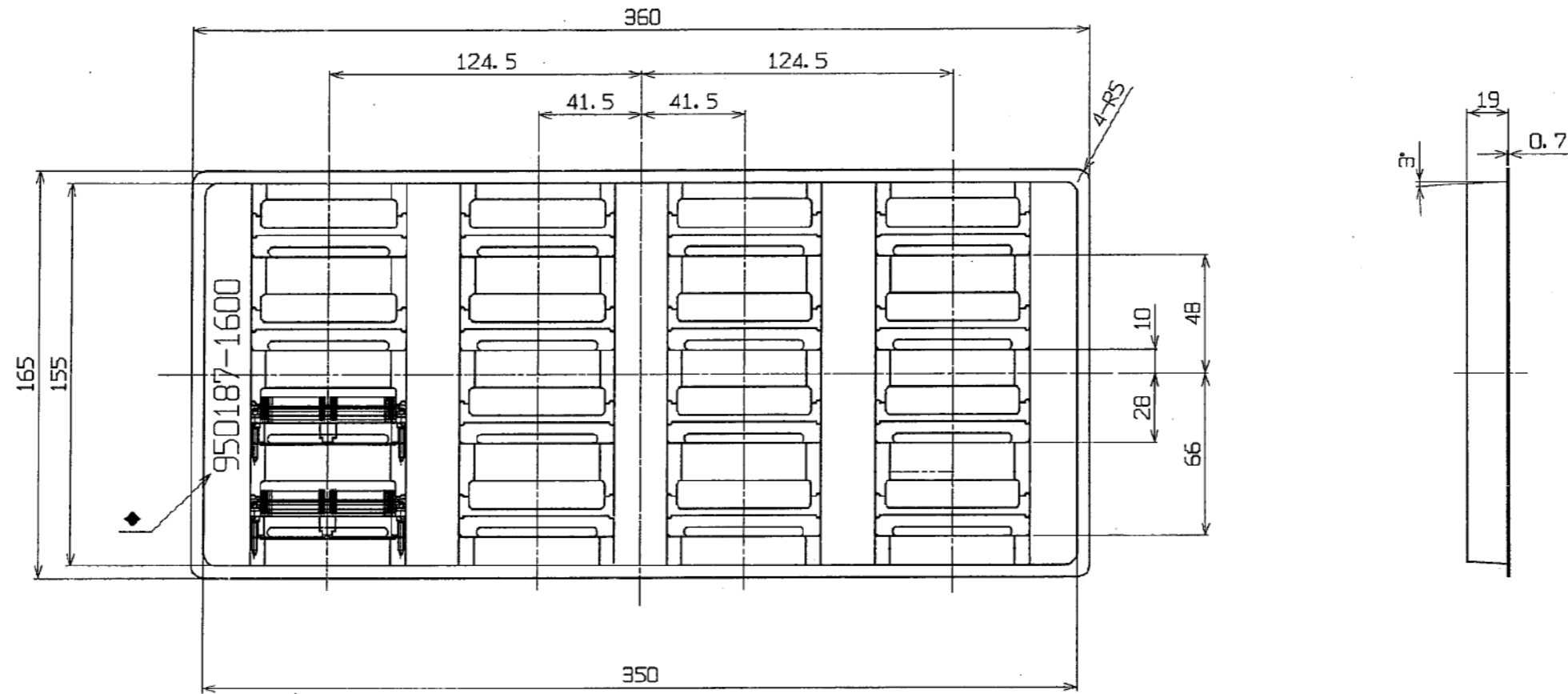
ITEMS	SPECIFICATION
RATING VOLTAGE	250V AC (PER CONTACT PIN)
RATING AMPERAGE (FOR CONTACT)	0.5A AC/DC (PER CONTACT PIN)
OPERATING TEMPERATURE	208~358K(-65°C~+85°C)
OPERATING HUMIDITY	85% MAX.
CONTACT RESISTANCE (FOR CONTACT)	INITIAL : 70mohm MAX. / AFTER TEST : \triangleleft 25mohm MAX.
INSULATION RESISTANCE	INITIAL : 10,000Mohm MIN. / AFTER TEST : 1,000Mohm MIN.
DIELECTRIC WITHSTANDING VOLTAGE	AC500V 1min
DURABILITY	5,000 CYCLES
MATING FORCE (INITIAL)	0.9N/pos. MAX.
UNMATING FORCE (AFTER TEST)	0.059N/pos. MIN.
COPLANARITY	-
PRODUCT SPECIFICATION	PRS-1011
TEST REPORT	TR-9020
PACKING STANDARD	300-151
INSTRUCTION MANUAL	-
APPEARANCE CRITERIA No.	QLS-A***

ANGLE	$\pm 2^\circ$	6 OVER 30 MAX.	± 0.3	PROJECTION 	SERIES No. R5	CUSTOMER COPY		
6 MAX.	± 0.2	30 OVER 120 MAX.	± 0.5					
GENERAL TOLERANCE.				TITLE MINIDOCK™ Slim Type CONNECTOR VERTICAL RECEPTACLE	SCALE 	I-PEX		
DWG.	DATE							
CHK.								
APP.								
				DWG. No.	30056	SIZE A3	SHEET 2/4	REV. 14



ANGLE	$\pm 2^\circ$	6 OVER 30 MAX.	± 0.3	PROJECTION 	SERIES No. R5	CUSTOMER COPY		
6 MAX.	± 0.2	30 OVER 120 MAX.	± 0.5					
GENERAL TOLERANCE.				TITLE MINIDOCK™ Slim Type CONNECTOR VERTICAL RECEPTACLE	SCALE 2:1 UNIT mm			
DWG.	DATE							
CHK.								
APP.								
				DWG. No.	30056	SIZE A3	SHEET 3/4	REV. 14

PART NO.	Pos.	QTY./ TRAY	QTY./ SHIPPING CARTON	QTY./ PACKING CARTON
30056-160T-F	160P	16	16 × 3 = 48	48 × 4 = 192
30056-160T-01F				



7	TRAY	PET	-
NO.	DISCRIPTION	MATERIAL	FINISH , REMARKS

ANGLE	±2°	6 OVER 30 MAX.	±0.3	PROJECTION ⊕	SERIES No. R5	CUSTOMER COPY		
	6 MAX.	±0.2	30 OVER 120 MAX.					±0.5
GENERAL TOLERANCE.				TITLE MINIDOCK™ Slim Type CONNECTOR VERTICAL RECEPTACLE	SCALE 1:X UNIT mm	I-PEX		
DWG.	DATE							
CHK.								
APP.								
				DWG. No.	30056	SIZE A3	SHEET 4/4	REV. 14

Confidential C

I-PEX Inc.

QKE-DFE06-02 REV.12