

# PF5300\_PF5301\_PF5302

12 A / 8 A / 15 A core supply regulators with AVP and watchdog

Rev. 2 — 5 June 2023

Product short data sheet



## Document Information

Information	Content
Keywords	Safety, SBC, automotive, low power, ASIL D, industrial
Abstract	The PF5300, PF5301, and PF5302 integrate high-performance buck converters, 12 A, 8 A, and 15 A, respectively, to power high-end automotive and industrial processors. With adaptive voltage positioning and a high-bandwidth loop, they offer transient regulation to minimize capacitor requirements.



## 1 Overview

---

The PF5300, PF5301, and PF5302 integrate high-performance buck converters, 12 A, 8 A, and 15 A, respectively, to power high-end automotive and industrial processors.

With adaptive-voltage positioning and a high-bandwidth loop, they offer transient regulation to minimize capacitor requirements.

Clock synchronization and spread-spectrum features reduce EMC issues in the system. The PF5300/PF5301/PF5302 can operate as standalone point-of-load regulator ICs or as companion chips to a larger PMIC.

Built-in one-time programmable (OTP) memory stores key startup configurations, drastically reducing external components. Regulator parameters are adjustable through high-speed I<sup>2</sup>C after startup, offering flexibility for different system states.

PF5300/PF5301/PF5302 have been developed to comply with the ISO 26262 automotive safety specification. They include configurable feature sets to fit in or support applications with safety levels up to ASIL D.

To simplify, PF5300 is used in this document to refer to PF5300, PF5301, and PF5302. Unless explicitly mentioned, references to PF5300 include PF5301 and PF5302.

## 2 Features

The PF5300/PF5301/PF5302 integrate a high-performance 12 A / 8 A / 15 A buck converter to power high-end automotive and industrial processors.

- High-performance core buck regulator
  - 12 A, 5 V<sub>IN</sub> buck regulator - internal FETs (PF5300)
  - 8 A, 5 V<sub>IN</sub> buck regulator - internal FETs (PF5301)
  - 15 A, 5 V<sub>IN</sub> buck regulator - internal FETs (PF5302)
  - 2.7 V to 5.5 V input range
  - 0.5 V to 1.2 V output range
  - High efficiency
  - ±1 % output accuracy
  - 2 MHz to 3 MHz switching frequency
  - Dynamic voltage scaling
  - Programmable adaptive-voltage positioning (AVP) (droop)
- 1.5 μA quiescent current in OFF mode
- Fast startup time (< 500 μs)
- OTP memory for device configuration
- Overtemperature protection
- Safety features
  - Available in ASIL D, ASIL B, and QM variations
  - Watchdog timer
  - 1 % OV/UV monitoring
  - PGOOD output
  - Analog built-in self-test
- AEC-Q100 qualified version available
- Rated from -40 °C to 150 °C T<sub>j</sub>
- 3.5 mm x 4.5 mm WF-QFN package

### 3 Simplified application diagram

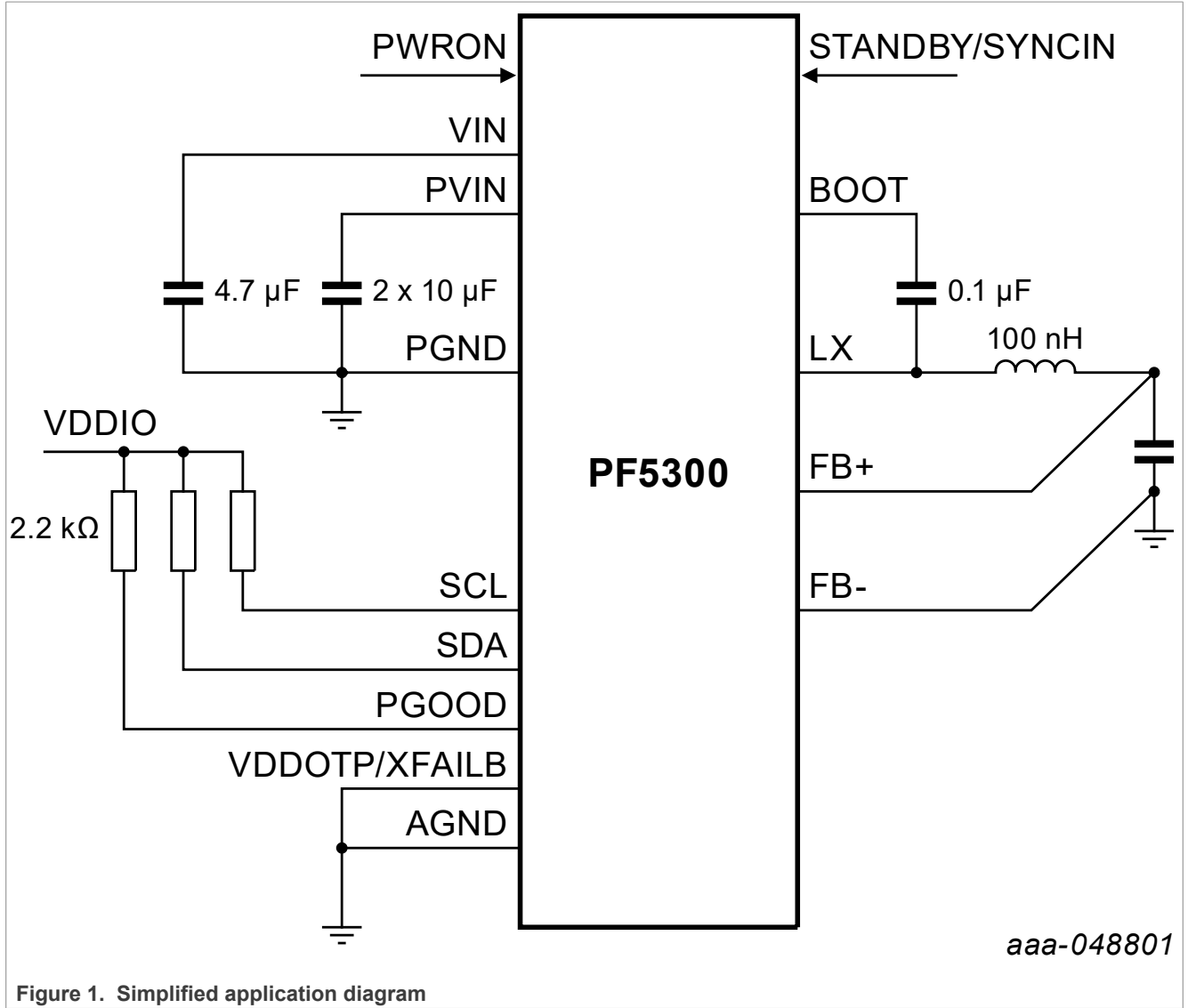


Figure 1. Simplified application diagram

## 4 Applications

---

- Automotive – infotainment, gateway, domain controllers
- High-end consumer and industrial

## 5 General description

### 5.1 Functional block diagram

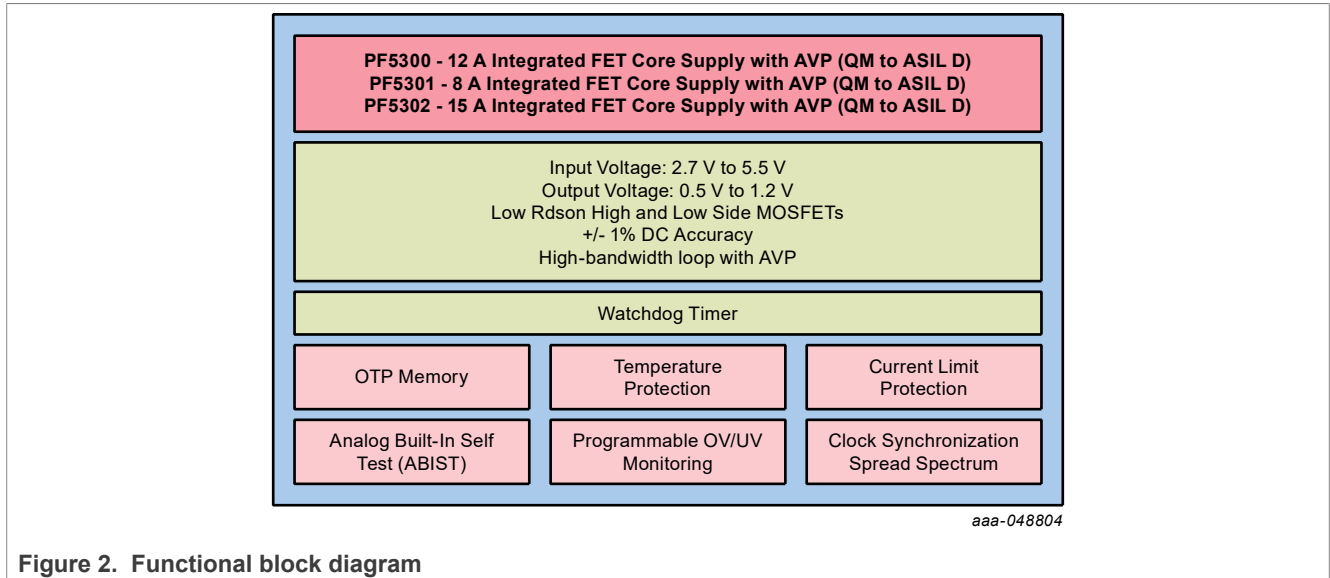


Figure 2. Functional block diagram

## 6 Revision history

Document ID	Release date	Data sheet status	Change notice	Supersedes
PF5300_PF5301_PF5302_SDS v.2	20230605	Product short data sheet	—	PB_PF5300 v.1
Modifications	<ul style="list-style-type: none"><li>• Replaced product brief format with short data sheet format</li><li>• Added disclaimer regarding suitability for use in industrial applications (functional safety)</li></ul>			
PB_PF5300 v.1	20210910	Product brief	—	—

## 7 Legal information

### 7.1 Data sheet status

Document status <sup>[1][2]</sup>	Product status <sup>[3]</sup>	Definition
Objective [short] data sheet	Development	This document contains data from the objective specification for product development.
Preliminary [short] data sheet	Qualification	This document contains data from the preliminary specification.
Product [short] data sheet	Production	This document contains the product specification.

[1] Please consult the most recently issued document before initiating or completing a design.

[2] The term 'short data sheet' is explained in section "Definitions".

[3] The product status of device(s) described in this document may have changed since this document was published and may differ in case of multiple devices. The latest product status information is available on the Internet at URL <http://www.nxp.com>.

### 7.2 Definitions

**Draft** — A draft status on a document indicates that the content is still under internal review and subject to formal approval, which may result in modifications or additions. NXP Semiconductors does not give any representations or warranties as to the accuracy or completeness of information included in a draft version of a document and shall have no liability for the consequences of use of such information.

**Short data sheet** — A short data sheet is an extract from a full data sheet with the same product type number(s) and title. A short data sheet is intended for quick reference only and should not be relied upon to contain detailed and full information. For detailed and full information see the relevant full data sheet, which is available on request via the local NXP Semiconductors sales office. In case of any inconsistency or conflict with the short data sheet, the full data sheet shall prevail.

**Product specification** — The information and data provided in a Product data sheet shall define the specification of the product as agreed between NXP Semiconductors and its customer, unless NXP Semiconductors and customer have explicitly agreed otherwise in writing. In no event however, shall an agreement be valid in which the NXP Semiconductors product is deemed to offer functions and qualities beyond those described in the Product data sheet.

### 7.3 Disclaimers

**Limited warranty and liability** — Information in this document is believed to be accurate and reliable. However, NXP Semiconductors does not give any representations or warranties, expressed or implied, as to the accuracy or completeness of such information and shall have no liability for the consequences of use of such information. NXP Semiconductors takes no responsibility for the content in this document if provided by an information source outside of NXP Semiconductors.

In no event shall NXP Semiconductors be liable for any indirect, incidental, punitive, special or consequential damages (including - without limitation - lost profits, lost savings, business interruption, costs related to the removal or replacement of any products or rework charges) whether or not such damages are based on tort (including negligence), warranty, breach of contract or any other legal theory.

Notwithstanding any damages that customer might incur for any reason whatsoever, NXP Semiconductors' aggregate and cumulative liability towards customer for the products described herein shall be limited in accordance with the Terms and conditions of commercial sale of NXP Semiconductors.

**Right to make changes** — NXP Semiconductors reserves the right to make changes to information published in this document, including without limitation specifications and product descriptions, at any time and without notice. This document supersedes and replaces all information supplied prior to the publication hereof.

**Applications** — Applications that are described herein for any of these products are for illustrative purposes only. NXP Semiconductors makes no representation or warranty that such applications will be suitable for the specified use without further testing or modification.

Customers are responsible for the design and operation of their applications and products using NXP Semiconductors products, and NXP Semiconductors accepts no liability for any assistance with applications or customer product design. It is customer's sole responsibility to determine whether the NXP Semiconductors product is suitable and fit for the customer's applications and products planned, as well as for the planned application and use of customer's third party customer(s). Customers should provide appropriate design and operating safeguards to minimize the risks associated with their applications and products.

NXP Semiconductors does not accept any liability related to any default, damage, costs or problem which is based on any weakness or default in the customer's applications or products, or the application or use by customer's third party customer(s). Customer is responsible for doing all necessary testing for the customer's applications and products using NXP Semiconductors products in order to avoid a default of the applications and the products or of the application or use by customer's third party customer(s). NXP does not accept any liability in this respect.

**Limiting values** — Stress above one or more limiting values (as defined in the Absolute Maximum Ratings System of IEC 60134) will cause permanent damage to the device. Limiting values are stress ratings only and (proper) operation of the device at these or any other conditions above those given in the Recommended operating conditions section (if present) or the Characteristics sections of this document is not warranted. Constant or repeated exposure to limiting values will permanently and irreversibly affect the quality and reliability of the device.

**Terms and conditions of commercial sale** — NXP Semiconductors products are sold subject to the general terms and conditions of commercial sale, as published at <http://www.nxp.com/profile/terms>, unless otherwise agreed in a valid written individual agreement. In case an individual agreement is concluded only the terms and conditions of the respective agreement shall apply. NXP Semiconductors hereby expressly objects to applying the customer's general terms and conditions with regard to the purchase of NXP Semiconductors products by customer.

**No offer to sell or license** — Nothing in this document may be interpreted or construed as an offer to sell products that is open for acceptance or the grant, conveyance or implication of any license under any copyrights, patents or other industrial or intellectual property rights.

**Quick reference data** — The Quick reference data is an extract of the product data given in the Limiting values and Characteristics sections of this document, and as such is not complete, exhaustive or legally binding.

**Export control** — This document as well as the item(s) described herein may be subject to export control regulations. Export might require a prior authorization from competent authorities.



**Translations** — A non-English (translated) version of a document, including the legal information in that document, is for reference only. The English version shall prevail in case of any discrepancy between the translated and English versions.

**Security** — Customer understands that all NXP products may be subject to unidentified vulnerabilities or may support established security standards or specifications with known limitations. Customer is responsible for the design and operation of its applications and products throughout their lifecycles to reduce the effect of these vulnerabilities on customer's applications and products. Customer's responsibility also extends to other open and/or proprietary technologies supported by NXP products for use in customer's applications. NXP accepts no liability for any vulnerability. Customer should regularly check security updates from NXP and follow up appropriately. Customer shall select products with security features that best meet rules, regulations, and standards of the intended application and make the ultimate design decisions regarding its products and is solely responsible for compliance with all legal, regulatory, and security related requirements concerning its products, regardless of any information or support that may be provided by NXP.

NXP has a Product Security Incident Response Team (PSIRT) (reachable at [PSIRT@nxp.com](mailto:PSIRT@nxp.com)) that manages the investigation, reporting, and solution release to security vulnerabilities of NXP products.

**Suitability for use in automotive applications (functional safety)** — This NXP product has been qualified for use in automotive applications. It has been developed in accordance with ISO 26262, and has been ASIL classified accordingly. If this product is used by customer in the development of, or for incorporation into, products or services (a) used in safety critical applications or (b) in which failure could lead to death, personal injury, or severe physical or environmental damage (such products and services hereinafter referred to as "Critical Applications"), then customer makes the ultimate design decisions regarding its products and is solely responsible for compliance with all legal, regulatory, safety, and security related requirements concerning its products, regardless of any information or support that may be provided by NXP. As such, customer assumes all risk related to use of any products in Critical Applications and NXP and its suppliers shall not be liable for any such use by customer. Accordingly, customer will indemnify and hold NXP harmless from any claims, liabilities, damages and associated costs and expenses (including attorneys' fees) that NXP may incur related to customer's incorporation of any product in a Critical Application.

**Suitability for use in industrial applications (functional safety)** — This NXP product has been qualified for use in industrial applications. It has been developed in accordance with IEC 61508, and has been SIL-classified accordingly. If this product is used by customer in the development of, or for incorporation into, products or services (a) used in safety critical applications or (b) in which failure could lead to death, personal injury, or severe physical or environmental damage (such products and services hereinafter referred to as "Critical Applications"), then customer makes the ultimate design decisions regarding its products and is solely responsible for compliance with all legal, regulatory, safety, and security related requirements concerning its products, regardless of any information or support that may be provided by NXP. As such, customer assumes all risk related to use of any products in Critical Applications and NXP and its suppliers shall not be liable for any such use by customer. Accordingly, customer will indemnify and hold NXP harmless from any claims, liabilities, damages and associated costs and expenses (including attorneys' fees) that NXP may incur related to customer's incorporation of any product in a Critical Application.

**NXP B.V.** - NXP B.V. is not an operating company and it does not distribute or sell products.

## 7.4 Trademarks

Notice: All referenced brands, product names, service names, and trademarks are the property of their respective owners.

**NXP** — wordmark and logo are trademarks of NXP B.V.

**SafeAssure** — is a trademark of NXP B.V.

**Figures**

Fig. 1. Simplified application diagram .....4      Fig. 2. Functional block diagram ..... 6

## Contents

---

<b>1</b>	<b>Overview .....</b>	<b>2</b>
<b>2</b>	<b>Features .....</b>	<b>3</b>
<b>3</b>	<b>Simplified application diagram .....</b>	<b>4</b>
<b>4</b>	<b>Applications .....</b>	<b>5</b>
<b>5</b>	<b>General description .....</b>	<b>6</b>
5.1	Functional block diagram .....	6
<b>6</b>	<b>Revision history .....</b>	<b>7</b>
<b>7</b>	<b>Legal information .....</b>	<b>8</b>

---

Please be aware that important notices concerning this document and the product(s) described herein, have been included in section 'Legal information'.

---

© 2023 NXP B.V.

All rights reserved.

For more information, please visit: <http://www.nxp.com>

Date of release: 5 June 2023  
Document identifier: PF5300\_SDS