

Customer Information Sheet

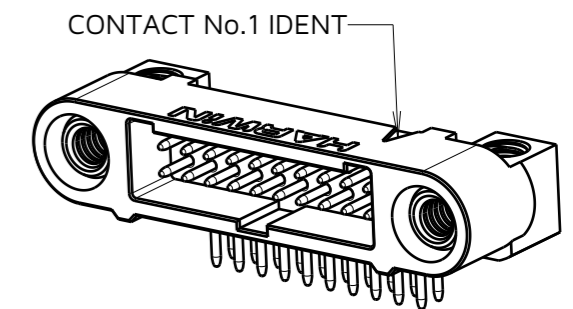
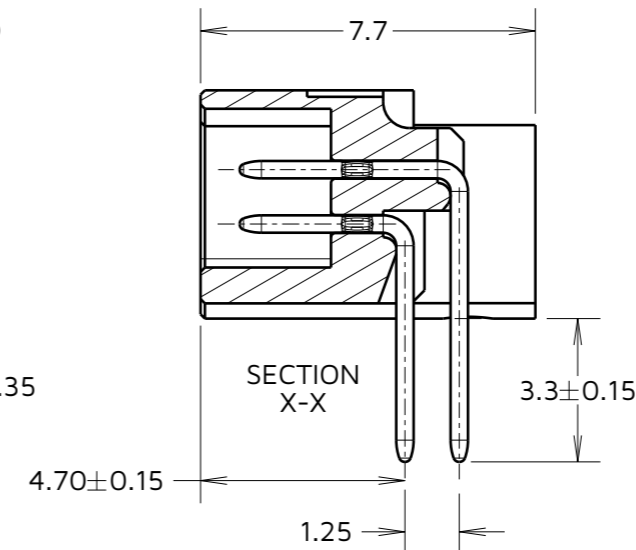
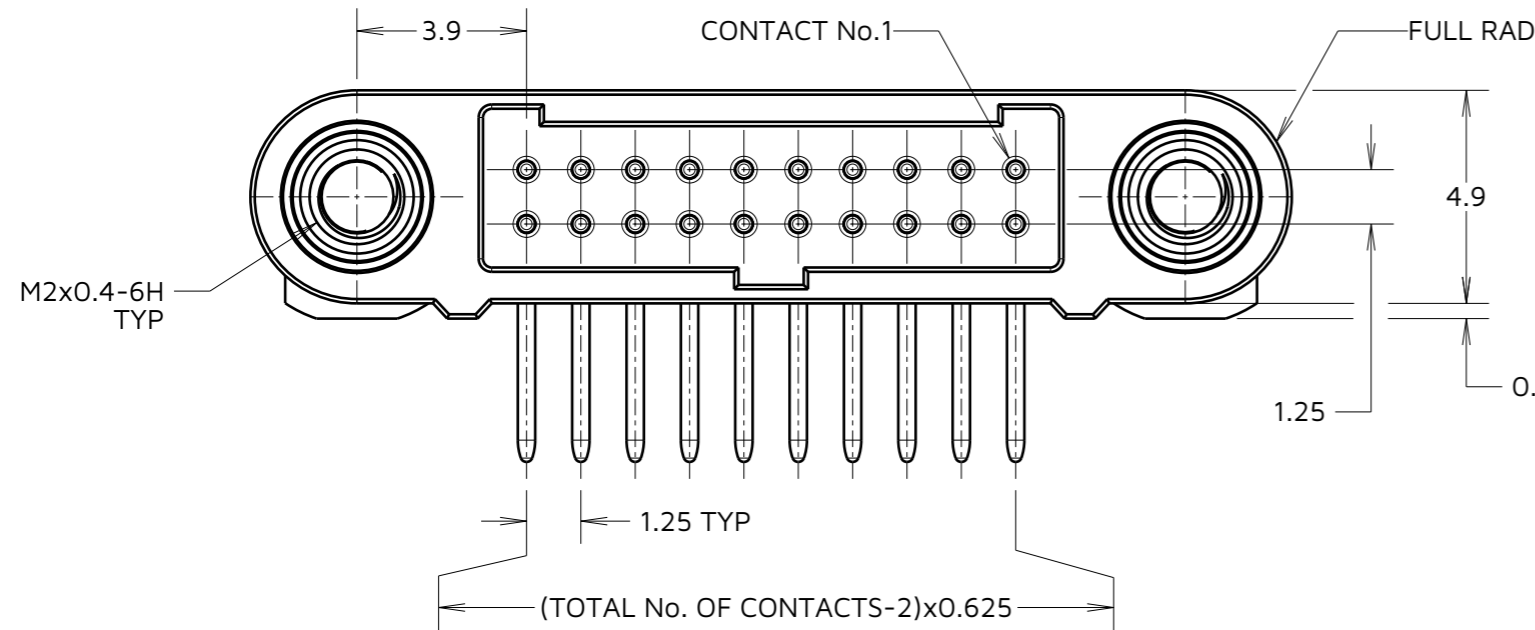
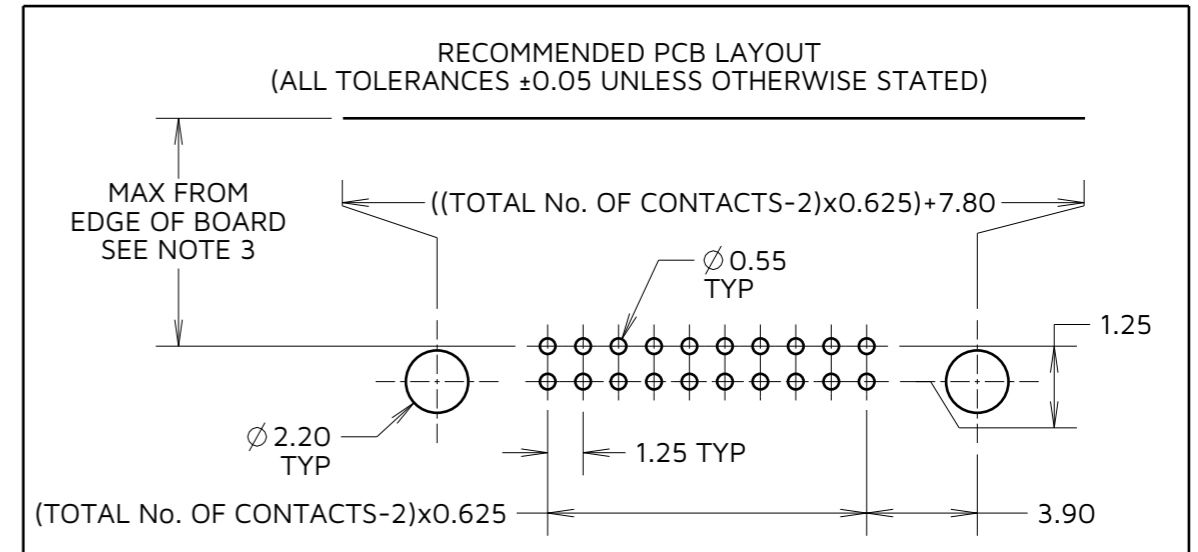
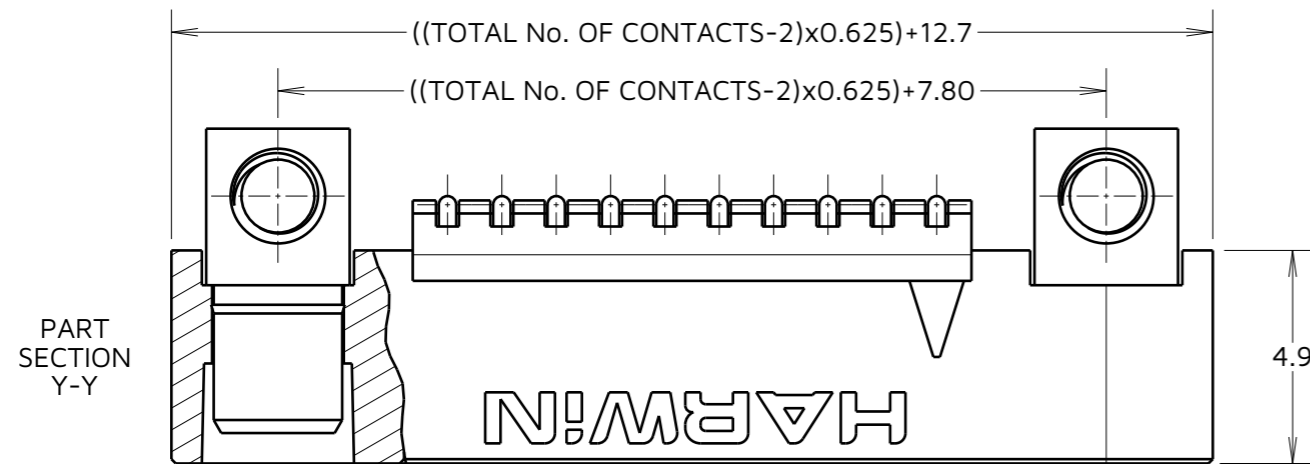
IF IN DOUBT - ASK

©

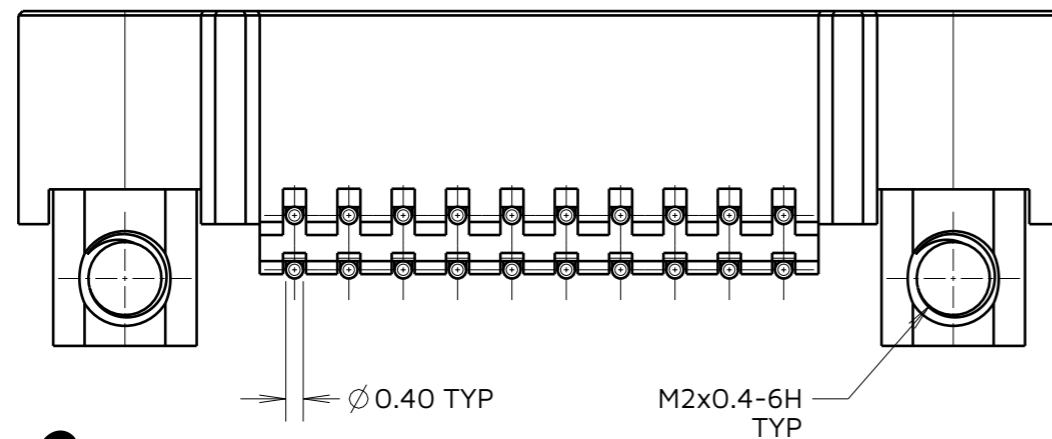
NOT TO SCALE

THIRD ANGLE PROJECTION

ALL DIMENSIONS IN mm



PRODUCT CODE:
G125-MH1XX05M4R
 TOTAL No. OF CONTACTS _____
 06, 10, 12, 16, 20, 26, 34 & 50.

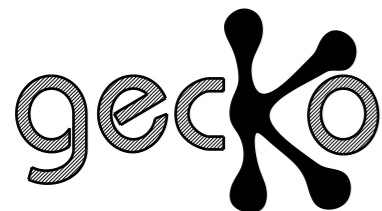


CONNECTOR AND PCB LAYOUT DETAILS ONLY.
SEE SHEET 4 FOR TAPE AND REEL DETAILS.

NOTES:

- FOR MATERIALS, FINISH AND SPECIFICATION SEE GECKO SERIES CONNECTORS SPECIFICATION SUMMARY SHEET OR COMPONENT SPECIFICATION C125XX (LATEST ISSUE) FOR FULL SPECIFICATION.
- DRAWING SHOWS CONNECTOR WITH 20 CONTACTS.
- MAX DISTANCE OF NEARSIDE CONTACTS TO BOARD EDGE WHEN MATED WITH:
 -UNSHIELDED CABLE: 4.90mm
 -SHIELDED CABLE : 2.75mm
- A RANGE OF SUITABLE M2 BOARD MOUNT SCREWS ARE AVAILABLE SEPARATELY. VISIT HARWIN.COM FOR DETAILS.

AB	3	01.05.24	34006
NAME	ISS.	DATE	CN/CO
APPROVED:		A.BOXALL	
CHECKED:		A.YEOMANS	
DRAWN:		R.PORTLOCK	
ASSEMBLY DRG:			



HARWIN

www.harwin.com

TOLERANCES
 X. = ±1mm
 X.X = ±0.50mm
 X.XX = ±0.20mm
 X.XXX = ±0.01mm
 ANGLES = ±5°
 UNLESS STATED

THIS DRAWING AND ANY INFORMATION OR DESCRIPTIVE MATTER SET OUT HEREON ARE CONFIDENTIAL AND COPYRIGHT PROPERTY OF THE HARWIN GROUP AND MUST NOT BE DISCLOSED, LOANED, COPIED OR USED FOR MANUFACTURING, TENDERING OR FOR ANY OTHER PURPOSE WITHOUT THEIR WRITTEN PERMISSION.

MATERIAL:
 SEE ABOVE

TITLE: **GECKO-SL HORIZONTAL PC-TAIL MALE CONNECTOR ASSEMBLY IN TAPE & REEL**

DRAWING NUMBER:
G125-MH1XX05M4R

SHT
 3
 OF
 4

Customer Information Sheet

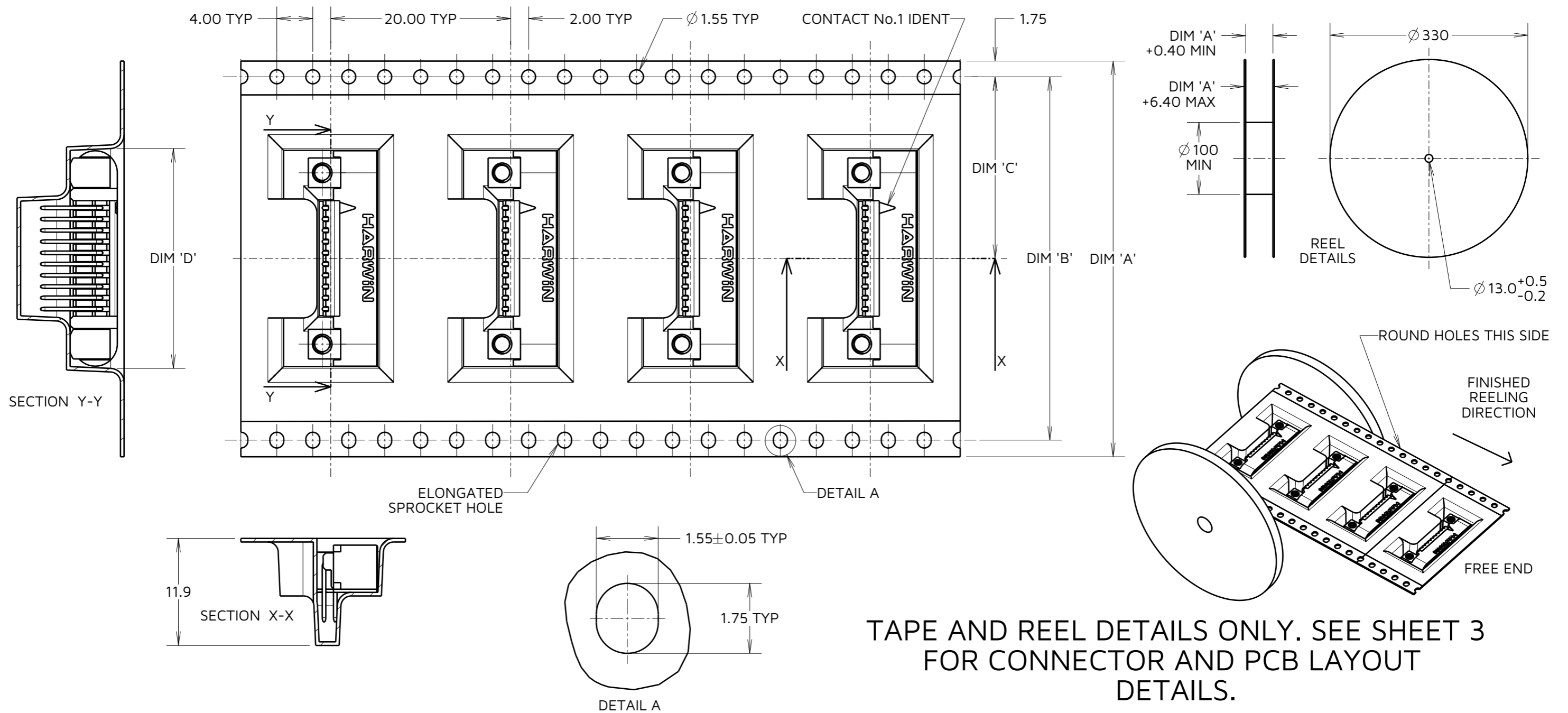
IF IN DOUBT - ASK

©

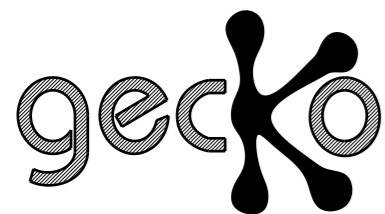
NOT TO SCALE

THIRD ANGLE PROJECTION

ALL DIMENSIONS IN mm



TAPE AND REEL DETAILS ONLY. SEE SHEET 3 FOR CONNECTOR AND PCB LAYOUT DETAILS.



PRODUCT CODE:
G125-MH1XX05M4R
 TOTAL No. OF CONTACTS _____
 06, 10, 12, 16, 20, 26, 34 & 50.

PART No.	DIM 'A'	DIM 'B'	DIM 'C'	DIM 'D'
G125-MH10605M4R				15.30±0.15
G125-MH11005M4R	32.0±0.3	28.40	14.20	17.80±0.15
G125-MH11205M4R				19.05±0.15
G125-MH11605M4R				21.55±0.15
G125-MH12005M4R	44.0±0.3	40.40	20.20±0.15	24.05±0.15
G125-MH12605M4R				27.80±0.15
G125-MH13405M4R	56.0±0.3	52.40	26.20±0.15	32.80±0.15
G125-MH15005M4R				42.80±0.15

AB	3	01.05.24	34006
NAME	ISS.	DATE	CN/CO
APPROVED: A.BOXALL			
CHECKED: A.YEOMANS			
DRAWN: R.PORTLOCK			
ASSEMBLY DRG:			

- NOTES:
- COMPONENTS ARE ORIENTED IN TAPE POCKETS AS SHOWN.
 - COMPONENTS ARE SUPPLIED IN REELS OF 250 CONNECTORS
 - THIS PRODUCT IS TAPE AND REELED IN GENERAL ACCORDANCE WITH EIA-481 (ELECTRONICS INDUSTRIES ASSOCIATION).
 - SEE DRAWING G125-MH1XX05M4P FOR OTHER QUANTITIES.

HARWIN

www.harwin.com

TOLERANCES
 X. = ±1mm
 X.X = ±0.50mm
 X.XX = ±0.20mm
 X.XXX = ±0.01mm
 ANGLES = ±5°
 UNLESS STATED

THIS DRAWING AND ANY INFORMATION OR DESCRIPTIVE MATTER SET OUT HEREON ARE CONFIDENTIAL AND COPYRIGHT PROPERTY OF THE HARWIN GROUP AND MUST NOT BE DISCLOSED, LOANED, COPIED OR USED FOR MANUFACTURING, TENDERING OR FOR ANY OTHER PURPOSE WITHOUT THEIR WRITTEN PERMISSION.

MATERIAL:
 SEE SHEET 3

TITLE: GECKO-SL HORIZONTAL PC-TAIL MALE CONNECTOR ASSEMBLY IN TAPE & REEL

DRAWING NUMBER:
G125-MH1XX05M4R

SHT
 4 OF
 4