

DO NOT SCALE FROM THIS PRINT

NOTES:

1. $\text{\textcircled{C}}$ REPRESENTS A CRITICAL DIMENSION FOR STATISTICAL PROCESS CONTROL.
2. MINIMUM TERMINAL PUSHOUT FORCE: 3 LBS
3. MAXIMUM HEIGHT VARIATION BETWEEN ANY TWO ROWS: .005[0.13] (RA TAIL N/A)
4. ASSEMBLE GOLD PLATE END AS SHOWN.
5. TOW & SWAY SPEC. OF 2° APPLIES TO ALL POSITIONS, POST & TAIL, IN ALL DIRECTIONS.
6. NOTE DELETED.
7. MAXIMUM CUT FLASH: .010 [0.25]
8. NOTE DELETED.

HMTSW-XXX-XX-XXX-X-XXXX-XX-XX

TERMINAL SPACE SPEC.
 -1 = .100 [2.54] (FILL EVERY POS)
 -2 = .200 [5.08] (FILL E/O POS STARTING W/ 1ST & ENDING W/ LAST POS IN BODY)

BODY LENGTH SPEC
 EXPRESSED IN NO OF POS
 -1: 01 THRU -50 (-S,-D,-T,-T-RA)
 01 THRU -50 (-S-RE,-S-RA,-D-RA)
 "A" = NO OF POS x .100[2.54]
 -2: -02 THRU -25 (-S,-D,-T,-T-RA)
 -02 THRU -25 (-S-RE,-S-RA,-D-RA)
 "A" = (NO OF POS x .200 [5.08])-.100 [2.54]

TERMINAL SPECIFICATION
 (SEE TABLE 1, SHT 3)

PLATING SPECIFICATION

- G: 10 μ " GOLD IN CONTACT AREA, 3 μ " GOLD ON TAIL
- T: MATTE TIN ON CONTACT AND TAIL
- S: 30 μ " SELECTIVE GOLD IN CONTACT AREA, MATTE TIN ON TAIL
- H: 30 μ " GOLD IN CONTACT AREA, 3 μ " GOLD ON TAIL
- L: 10 μ " SELECTIVE GOLD IN CONTACT AREA, MATTE TIN ON TAIL.
- F: 3 μ " SELECTIVE GOLD IN CONTACT AREA, MATTE TIN ON TAIL.
- E: 50 μ " GOLD IN CONTACT AREA, 3 μ " GOLD ON TAIL (ONLY AVAILABLE ON TERMINAL SPECIFICATONS -07, -08, -09, -13, -14) (NOT AVAILABLE ON -RA, -RE, -NA, -NE, -LA)
- TL: TIN/LEAD (90/10 \pm 5%) CONTACT AND TAIL (ONLY AVAILABLE ON LEAD STYLES -07, -08, & -09)
- TM: MATTE TIN CONTACT AND TAIL
- SM: 30 μ " SELECTIVE GOLD IN CONTACT AREA, MATTE TIN ON TAIL
- LM: 10 μ " SELECTIVE GOLD IN CONTACT AREA, MATTE TIN ON TAIL
- FM: 3 μ " SELECTIVE GOLD IN CONTACT AREA, MATTE TIN ON TAIL
- STL: 30 μ " SELECTIVE GOLD IN CONTACT AREA, TIN LEAD (90/10 \pm 5%) TAIL

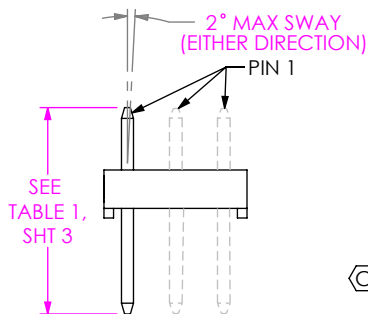
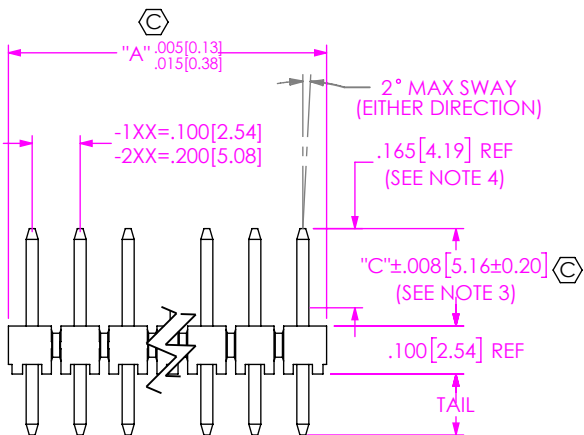
OPTION #2
 -POLARIZATION SPEC
 XXX INDICATES POSITION TO BE OMITTED (SEE FIG 2, SHT 2)

OPTION #1
 - BLANK: STRAIGHT
 -RA: RIGHT ANGLE (SEE TABLE 3, SHT 3 & FIG 3, SHT 2) (-RA OPTION WITH -LL OPTION EQUALS TO -LA OPTION)
 -RE: EXTENDED RIGHT ANGLE (SEE TABLE 3, SHT 3 & FIG 3, SHT 2) (SINGLE ROW ONLY) (-07,-23,-24 N/A)
 -NA: RA OPTIONS WITH STRAIGHT OPTION BODY (-NA OPTION WITH -LL OPTION IS VALID)
 -NE: RE OPTION WITH STRAIGHT OPTION BODY
 -LL: LOCKING LEAD (SEE FIG 1) (N/A WITH -RE OPTION OR SINGLE ROW 1 OR 2 POSITION) (TAILS FROM .090 [2.29] TO .400 [10.16] ONLY) (N/A IN SINGLE ROW, 1 & 2 POSITIONS)
 -LA: -RA OPTION WITH -LL OPTION (SEE FIG 2 & 3) (N/A WITH OR SINGLE ROW, 1 & 2 POSITION) (TAILS FROM .090 [2.29] TO .310 [7.87] ONLY) (POST = .530 [13.46] MAX)

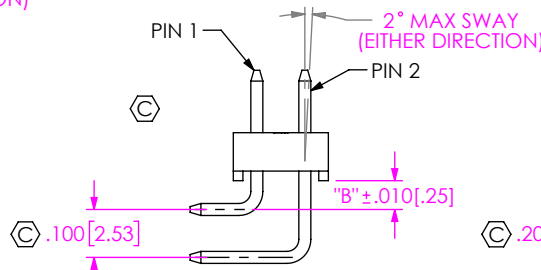
POST HEIGHT
 XXXX = "C" (SEE TABLE 4, SHT 3)

ROW SPECIFICATION (SEE TABLE 2)

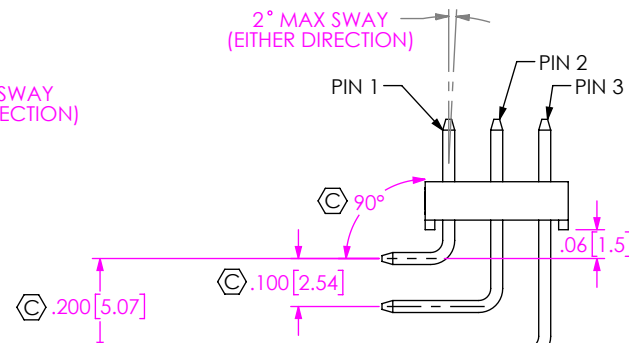
- S: SINGLE
- D: DOUBLE
- T: TRIPLE
- Q: TRIPLE TOW (FILL OUTER TWO ROWS)



STRAIGHT



SINGLE -RA/-RE
 DOUBLE -RA



TRIPLE -RA

UNLESS OTHERWISE SPECIFIED, DIMENSIONS ARE IN INCHES.

TOLERANCES ARE:

DECIMALS ANGLES
 .XX: $\pm .01$ [0.3]
 .XXX: $\pm .005$ [0.13]
 .XXXX: $\pm .0020$ [0.051]

PROPRIETARY NOTE

THIS DOCUMENT CONTAINS CONFIDENTIAL AND PROPRIETARY INFORMATION AND ALL DESIGN, MANUFACTURING, REPRODUCTION, USE, PATENT RIGHTS AND SALES RIGHTS ARE EXPRESSLY RESERVED BY SAMTEC, INC. THIS DOCUMENT SHALL NOT BE DISCLOSED, IN WHOLE OR PART, TO ANY UNAUTHORIZED PERSON OR ENTITY NOR REPRODUCED, TRANSFERRED OR INCORPORATED IN ANY OTHER PROJECT IN ANY MANNER WITHOUT THE EXPRESS WRITTEN CONSENT OF SAMTEC, INC.



520 PARK EAST BLVD, NEW ALBANY, IN 47150
 PHONE: 812-944-6733 FAX: 812-948-5047
 e-Mail info@SAMTEC.com code 55322

DO NOT SCALE DRAWING

SHEET SCALE: 2.5:1

MATERIAL:

LCP, UL 94 VO, COLOR: NATURAL

DESCRIPTION:

.025 SQ POST HI-TEMP TERMINAL STRIP

DWG. NO.

HMTSW-XXX-XX-XXX-X-XXXX-XX-XX

BY: JORDAN 03/25/1987

SHEET 1 OF 3

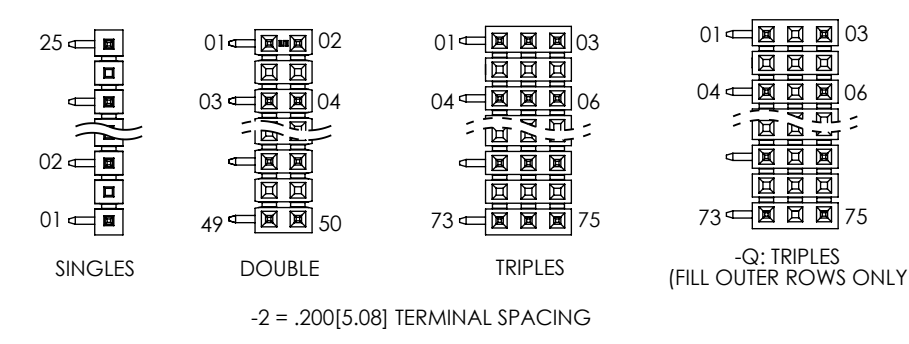
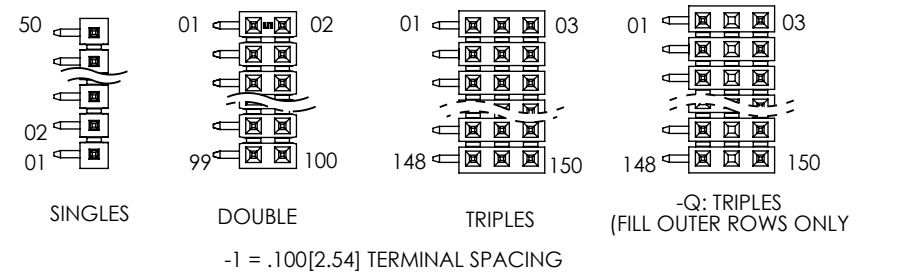
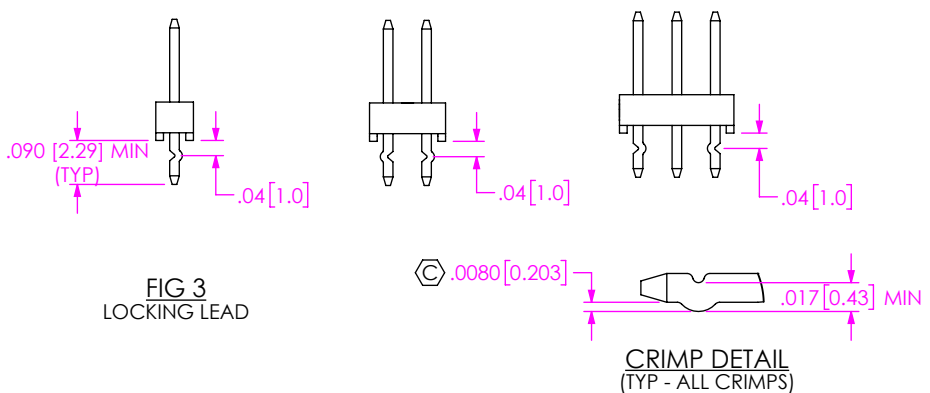
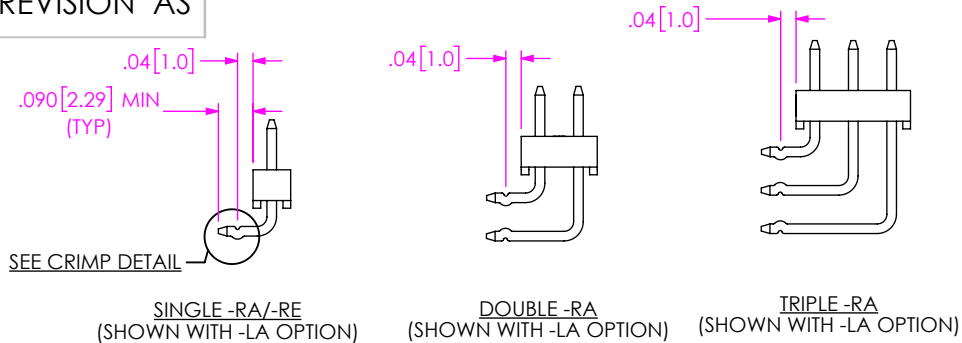
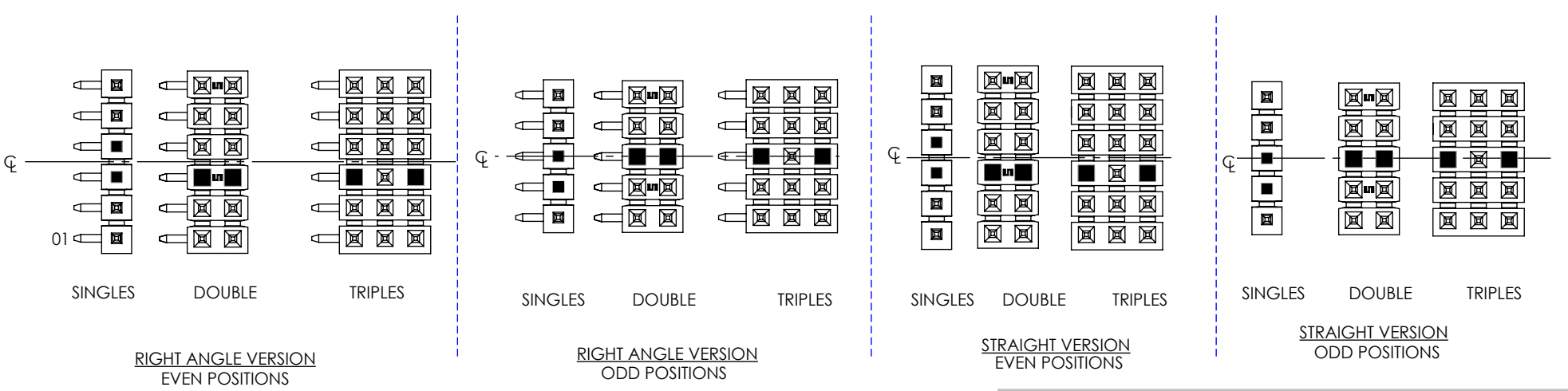


FIG 2
POLARIZATION
(STRAIGHT & RA VERSIONS)



PROPRIETARY NOTE
THIS DOCUMENT CONTAINS CONFIDENTIAL AND PROPRIETARY INFORMATION AND ALL DESIGN, MANUFACTURING, REPRODUCTION, USE, PATENT RIGHTS AND SALES RIGHTS ARE EXPRESSLY RESERVED BY SAMTEC, INC. THIS DOCUMENT SHALL NOT BE DISCLOSED, IN WHOLE OR PART, TO ANY UNAUTHORIZED PERSON OR ENTITY NOR REPRODUCED, TRANSFERRED OR INCORPORATED IN ANY OTHER PROJECT IN ANY MANNER WITHOUT THE EXPRESS WRITTEN CONSENT OF SAMTEC, INC.

DO NOT SCALE DRAWING
SHEET SCALE: 2:1



520 PARK EAST BLVD, NEW ALBANY, IN 47150
PHONE: 812-944-6733 FAX: 812-948-5047
e-Mail info@SAMTEC.com code 55322

DESCRIPTION:
.025 SQ POST HI-TEMP TERMINAL STRIP

DWG. NO.
HMTSW-XXX-XX-XXX-X-XXXX-XX-XX

BY: JORDAN 03/25/1987 SHEET 2 OF 3

TABLE 1						
TERMINAL SPECIFICATIONS						
TERMINAL	PIN 1	PIN 1 OAL	PIN 2	PIN 2 OAL	PIN 3	PIN 3 OAL
-05	T-1S6-21-XX-2	.335 [8.51]	N/A	N/A	N/A	N/A
-06	T-1S6-18-XX-2	.300 [7.62]	N/A	N/A	N/A	N/A
-07	T-1S6-07-XX-2	.430 [10.92]	T-1S6-15-XX-2	.630 [16.00]	T-1S6-10-XX-2	.830 [21.08]
-08	T-1S6-08-XX-2	.530 [13.46]	T-1S6-09-XX-2	.730 [18.54]	T-1S6-11-XX-2	.930 [23.62]
-09	T-1S6-09-XX-2	.730 [18.54]	T-1S6-11-XX-2	.930 [23.62]	T-1S6-20-XX-2	1.130 [28.70]
-10	T-1S6-10-XX-2	.830 [21.08]	T-1S6-12-XX-2	1.030 [26.16]	T-1S6-13-XX-2	1.230 [31.24]
-11	T-1S6-11-XX-2	.930 [23.62]	T-1S6-20-XX-2	1.130 [28.70]	T-1S6-19-XX-2	1.330 [33.78]
-12	T-1S6-12-XX-2	1.030 [26.16]	T-1S6-13-XX-2	1.230 [31.24]	T-1S6-14-XX-2	1.430 [36.23]
-13	T-1S6-13-XX-2	1.230 [31.24]	T-1S6-14-XX-2	1.430 [36.23]	N/A	N/A
-21	T-1S6-14-XX-2	1.430 [36.23]	N/A	N/A	N/A	N/A
-22	T-1S6-15-XX-2	.630 [16.00]	T-1S6-10-XX-2	.830 [21.08]	T-1S6-12-XX-2	1.030 [26.16]
-23	T-1S6-16-XX-2	.445 [11.30]	N/A	N/A	N/A	N/A
-24	T-1S6-17-XX-2	.480 [12.19]	N/A	N/A	N/A	N/A
-27	T-1S6-19-XX-2	1.330 [33.78]	N/A	1.330 [33.78]	N/A	N/A
-28	T-1S6-20-XX-2	1.130 [28.70]	T-1S6-19-XX-2	N/A	N/A	N/A

TABLE 2	
BODY SPECIFICATION	
ROW / OPTION	USE BODY
-S/-S-NA/-S-NE	HTSW-50-S-LCP
-S-RA/-S-RE	HTSW-50-S-RA-LCP
-D/-D-NA/-D-NE	HTSW-50-D-LCP
-D-RA	HTSW-50-D-RA-LCP
-T/-T-NA/-T-NE	HTSW-50-T-LCP
-T-RA	HTSW-50-D-TRA-LCP
-Q	HTSW-50-T-LCP

TABLE 3	
-XX	"B"
-RA	.060 [1.52]
-RE	.160 [4.06]

TABLE 4			
FOR TAIL = .000 (.090 [2.29] MIN FOR -RA & -RE) (.110 [2.79] MIN FOR -NA & -NE)			
LEAD STYLE	C MAXIMUM STRAIGHT	C MAXIMUM W / RA	C MAXIMUM W / RE
-05	.235 [5.97]	N/A	N/A
-06	.200 [5.08]	N/A	N/A
-07	.330 [8.38]	.130 [3.30]	N/A
-08	.430 [10.92]	.230 [5.84]	.130 [3.30]
-09	.630 [16.00]	.430 [10.92]	.330 [8.38]
-10	.730 [18.54]	.530 [13.46]	.430 [10.92]
-11	.830 [21.08]	.630 [16.00]	.530 [13.46]
-12	.930 [23.62]	.730 [18.54]	.630 [16.00]
-13	1.130 [28.70]	.930 [23.62]	.830 [21.08]
-21	1.330 [33.78]	1.130 [28.70]	1.030 [26.16]
-22	.530 [13.46]	.330 [8.38]	.230 [5.84]
-23	.345 [8.76]	.145 [3.68]	N/A
-24	.380 [9.65]	.180 [4.57]	N/A
-27	1.230 [31.24]	1.030 [26.16]	.930 [23.62]
-28	1.030 [26.16]	.830 [21.08]	.730 [18.54]

TABLE 5					
No OF POS	LEAD STYLE	LENGTH	TAIL	TUBE	PLUG
5	-08	.120 [3.05]	-RA	PT-1-24-01-66	TP-24
5	-08	.195 [4.95]		PT-1-24-01-24	TP-24
6	-08	.120 [3.05]	-RA	PT-1-24-01-66	TP-24
13	-11	.480 [12.19]		PT-1-24-02-47	TP-36

PROPRIETARY NOTE
 THIS DOCUMENT CONTAINS CONFIDENTIAL AND PROPRIETARY INFORMATION AND ALL DESIGN, MANUFACTURING, REPRODUCTION, USE, PATENT RIGHTS AND SALES RIGHTS ARE EXPRESSLY RESERVED BY SAMTEC, INC. THIS DOCUMENT SHALL NOT BE DISCLOSED, IN WHOLE OR PART, TO ANY UNAUTHORIZED PERSON OR ENTITY NOR REPRODUCED, TRANSFERRED OR INCORPORATED IN ANY OTHER PROJECT IN ANY MANNER WITHOUT THE EXPRESS WRITTEN CONSENT OF SAMTEC, INC.



520 PARK EAST BLVD, NEW ALBANY, IN 47150
 PHONE: 812-944-6733 FAX: 812-948-5047
 e-Mail info@SAMTEC.com code 55322

DO NOT SCALE DRAWING

SHEET SCALE: 2:1

DESCRIPTION:
 .025 SQ POST HI-TEMP TERMINAL STRIP

DWG. NO.
HMTSW-XXX-XX-XXX-X-XXXX-XX-XX

BY: JORDAN 03/25/1987 SHEET 3 OF 3