

61 KRESS

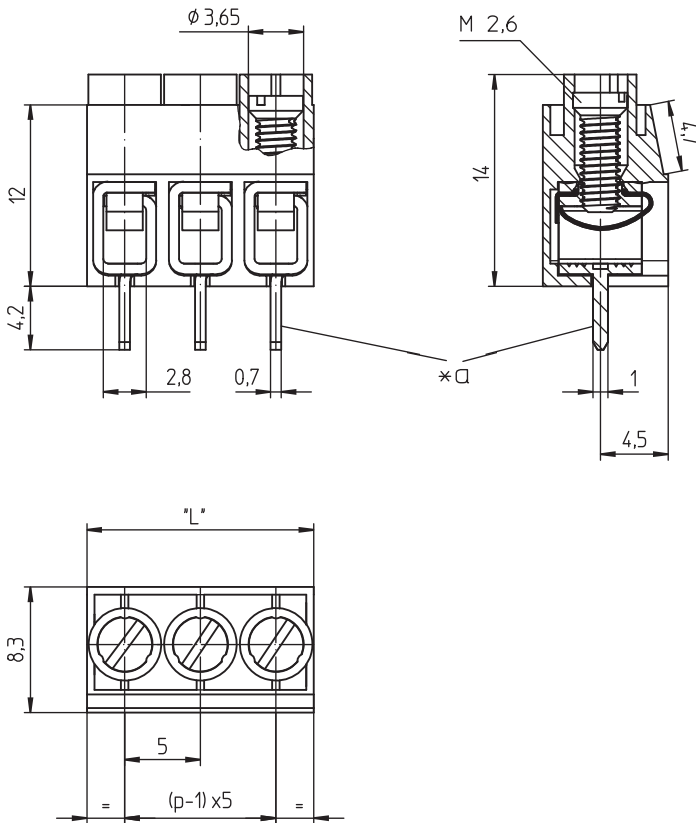
Screw terminal blocks, pitch 3.5/5.0/10.0 mm



Screw terminal block, clamp with wire protector, upright version, consecutive placement without loss of pitch
contact pitch 5.0 mm

Approvals:  

61 KRESS



*a solder pin for printed circuit board bore hole \varnothing 1.3 mm

Environmental conditions

Temperature range -25 °C/+125 °C¹

¹ upper limit temperature (insulating body) RTI (electrical) of the UL Yellow Card

Materials

Insulating body PA, V-2 according to UL94
Clamp CuZn, pre-nickel and tin-plated
Wire protector CuSn, pre-nickel and tin-plated
Screw steel, zinc-plated and chromated

Mechanical data

Screw size M2.6
Tightening torque screw 0,4 Nm

Connectable conductors for screw clamp

Section stranded wire 0.2–2.5 mm² (VDE)
AWG 22–12 (cULus)
Section stranded wire with ferrule 0.2–2.5 mm² (VDE)
AWG 22–12 (cULus)
Section solid wire 0.2–2.5 mm² (VDE)
AWG 22–12 (cULus)
Stripping length 7.0 ± 0.5 mm

Electrical data (at T_{amb} 20 °C)

Rated current 15 A (T_{amb} 100 °C, VDE)
10/20 A (ULus)
15 A (cUL)
Rated voltage 250 V AC (VDE)
150/300 V (cULus)¹
Material group I (IEC)/0 (UL) (CTI ≥ 600)¹
Creepage distance 4,3 mm
Clearance 4,3 mm
Insulation resistance > 1 GΩ

¹ according to IEC 60664/DIN EN 60664, CTI UL classification according to ANSI/UL 746A

61 KRESS

Designation	Pole Number	PU (Pieces)	MDQ (Pieces)	Dimensions L (mm)
KRESS 02	2	200	1000	10
KRESS 03	3	200	1000	15
KRESS 04	4	200	1000	20
KRESS 05	5	200	1000	25
KRESS 06	6	200	1000	30
KRESS 07	7	200	1000	35
KRESS 08	8	200	1000	40
KRESS 10	10	200	1000	50
KRESS 12	12	200	1000	60

Packaging:

in bulk, in a cardboard box