



ANATECH ELECTRONICS INC
RF & Microwave Filters & Products

3000 MHz LC High Pass Filter

Part Number: AE3000H9865

Electrical Specifications

Cutoff Frequency (Fc): 3000 MHz

Passband: 3000-4000 MHz

Passband Insertion Loss: 1dB Max.

Return Loss: 15dB Min.

Rejection: >30 dB @ 2500 MHz

Impedance: 50 Ohms In/Out

Power Handling: 40 W CW

Mechanical

Connector Type: SMA (F)

Dimensions: 1.5 x 0.38 x 0.38 in

Environmental

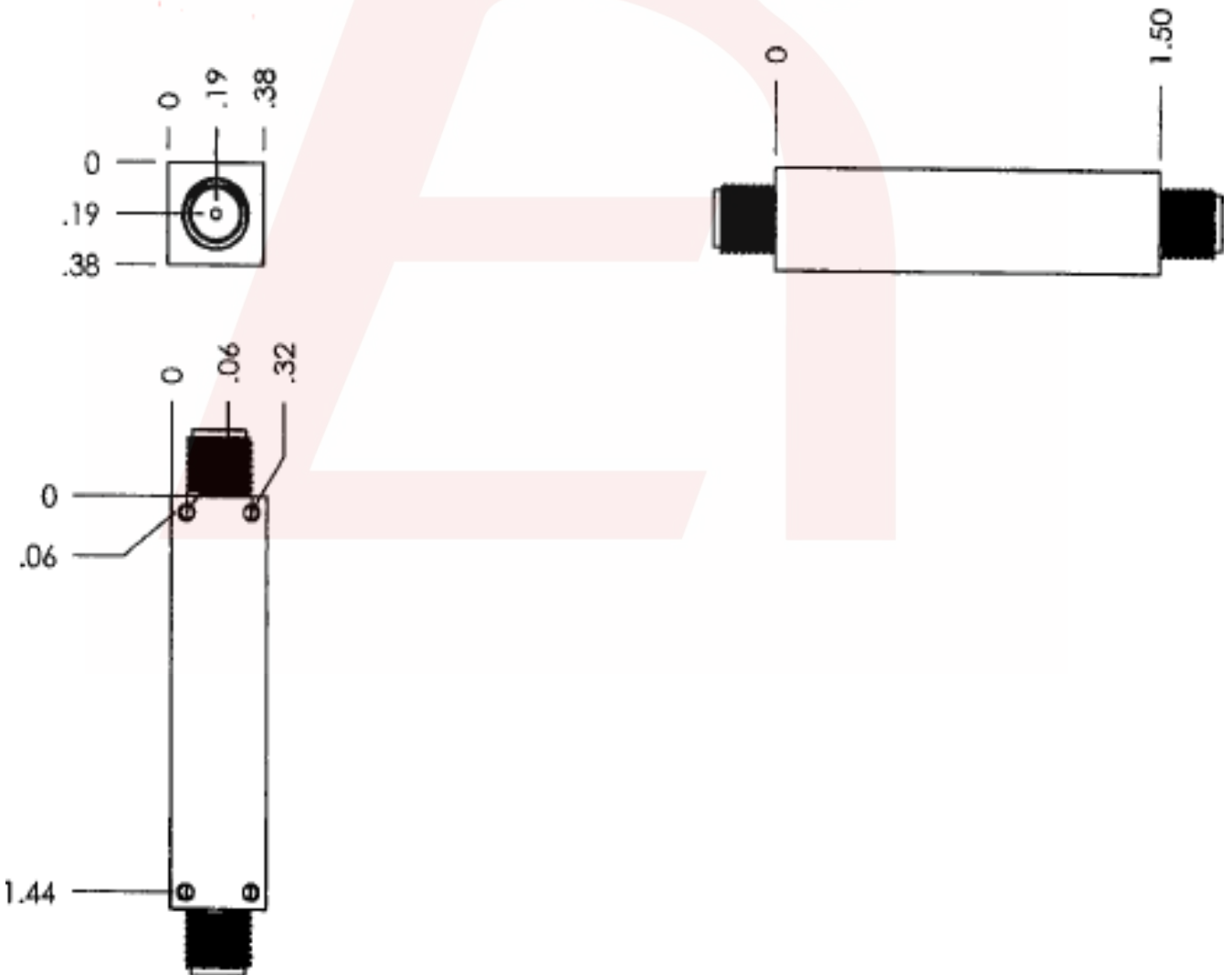
Operating Temperature: -25°C to +70°C

Storage Temperature: -40°C to +90°C

Shock: 10 G. 11ms

Vibration: 10 G. 5 to 2000Hz

Outline Drawing:



DS-H9865-04252019-Rev1