

CX SERIES

002388

Issue 6

MICRO SWITCH Weather-Sealed, Explosion-Proof Switches



DESCRIPTION

Honeywell MICRO SWITCH CX switches are built especially for outdoor use in hazardous atmospheres. These enclosures are constructed to withstand the pressure of an internal explosion. Flame paths cool the exploded gases to a point less than the lowest safe operating temperature of the surrounding gas.

MICRO SWITCH 80CX Series switches have rugged bronze housings that are designed to be resistant to salt water and other corrosive environments. They comply with the NEMA 4X requirement for protection against corrosion, in addition to NEMA enclosure standards met by other CX switches.

The product's o-ring seals make the enclosure rain tight, but are outside of required flame paths so explosion proof requirements are maintained. Unless special ordered, all basic switches operate on clockwise and counterclockwise rotation. The actuating mechanism can be field adjusted for CW or CCW operation only. No tools are required.

FEATURES

- Certified for applicable portions of NEMA 7 and 9 for explosive environments
- Select CX switches are certified to ATEX, IEC Ex and KOSHA specifications for global applications
- NEMA 1,3, 4, 4X, 6, 6P and 13 sealing
- Watertight and dust-tight for outdoor use
- Meets hazardous area requirements
- UL Listed, file #E14274¹
- CSA Certified, file #LR57324¹
- ATEX certificate DEKRA 22ATEX0048X¹
- IEC Ex certificate IECEX DEK 22.0033X¹
- KOSHA certificates: 20-AV4BO-0146X, 20AV4BO-0149X, 20-AV4BO-0150X, and 20-AV4BO-0151X¹
- Choice of rugged cast aluminum or bronze housings
- Bronze housing offered for corrosion resistance
- Field-adjustability allows pretravel, overtravel and actuating sequence to be field adjusted without tools

VALUE TO CUSTOMERS

- Building-block design allows for digital switching outputs
- Weather sealed to NEMA and IP ratings
- UL, CSA, ATEX, IEC Ex, KOSHA certified for hazardous (explosive) environments.¹
- Designed with the end user in mind, these switches help to create user-friendly interfaces with broad application possibilities to help meet the challenges of many different environments
- Available with gold contacts, low-temp seals and bronze corrosion-resistant housing

INDUSTRIAL APPLICATIONS

- Seaside grain and fuel loading docks that may require explosion proof and corrosion-resistant switches
- Oil and gas wells, refineries and fuel storage facilities that may require explosion-proof and corrosion-resistant switches
- Chemical plants with corrosive environments

PORTFOLIO

The CX Series joins an extensive line of limit switches designed specifically for dangerous indoor or outdoor locations. To learn more about the product, or the many other hazardous area switches in this series, [click here](#).

¹NOTE: All catalog listings do not carry all certifications. International Certifications are product specific and available upon request. Please contact Honeywell for assistance.

MICRO SWITCH WEATHER-SEALED, EXPLOSION PROOF SWITCHES

CX SERIES



TABLE 1. SPECIFICATIONS

Characteristic	Parameter
Actuators	Side rotary (choice of levers), side rotary (with flat shaft), plunger actuator
Housing material	Aluminum with electrostatic epoxy coating or corrosion-resistant bronze
Termination	3/4 x 14 NPT, M25 x 1,5 mm conduit
Sealing	NEMA 1, 3, 4, 4X, 6, 6P, and 13; IP66
Hazardous area designations	NEMA 7: Class I, Div.1 & Div. 2, Groups B (14CX, 16CX, 24CX, 26CX, 36CX only), C, and D; NEMA 9: Class II, Div.1 & Div. 2, Groups E, F, and G ATEX/IEC Ex, KOSHA (Gas) II 2 G Ex db IIC T6 Gb ATEX/IEC Ex, KOSHA (Dust) II 2 D Ex tb IIIC T85C Db
Operating Temperature	-25°C to 85°C [-13°F to 185°F]
Agency Approvals ¹	UL Listed, file #E14274 CSA Certified, file #LR57324 ATEX certificate DEKRA 22ATEX0048X IEC Ex certificate DEK 22.0033X KOSHA certificates 20-AV4BO-0146X, 20-AV4BO-0149X, 20-AV4BO-0150X, and 20-AV4BO-0151X

¹NOTE: All catalog listings do not carry all certifications. International Certifications are product specific and available upon request. Please contact Honeywell for assistance.

TABLE 2. ELECTRICAL RATINGS (IN AMPERES)

Rating Code	Switch Description	UL/CSA
A	BZ basic switch, SPDT	15 A 120/240/480 Vac; 1/8 HP, 120 Vac 1/4 HP, 240 Vac; 0.5 A, 125 Vdc; 0.25 A, 250 Vdc
B	BA basic switch, SPDT	20 A 120/240/480 Vac; 1 HP, 120 Vac; 2 HP, 240 Vac; 0.5 A, 125 Vdc; 0.25 A, 250 Vdc
C	DT basic switch, DPDT	10 A 120/240/480 Vac, 0.3 A 125 Vdc; 0.15 A, 250 Vdc
D	HS basic switch (hermetic seal), SPDT	1 A, 125 Vac; 5 A, 28 Vdc
F	BZ basic switch (gold contacts), SPDT	1 A, 125 Vac

MICRO SWITCH WEATHER-SEALED, EXPLOSION PROOF SWITCHES CX SERIES

Figure 1. Product Nomenclature

Switch Type	1 Housing Style & Actuator Type	1 Circuitry	CX Switch Type	2 Switches	Additional Options
CX Series Hazardous Area Limit Switch	1 Short housing, side rotary	1 15 A, SPDT basic switch/es	CX Momentary	1 One switch	Non-threaded thru holes
	2 Standard housing, side rotary	2 20 A, SPDT basic switch/es	CX1 Maintained	2 Two switches	A Side mounting, 5/16-18(8)
	3 Short housing, plunger actuator	4 10 A, DPDT basic switch/es		3 Three switches	B Thru mounting, 3/8-24(4)
	4 Standard housing, plunger actuator	6 1 A, SPDT, hermetically sealed basic switch/es		4 Four switches	C Low temperature
	6 Short housing, black epoxy	172 1 A, SPDT, gold-plated contacts, basic switch/es		5 Two switches, one CW oper., one CCW oper.	E ATEX/IEC Ex/ KOSHA certified with cover clamp*
	7 Stand. housing, bronze material, 5/16-18 UNC-2B mtg holes				M Metric, M25 x 1.5 conduit
	8 Standard housing, bronze material				D01 Flat shaft
	9 Switch assemblies (replacement)				00 Or other numbers, various specials

Other special configurations may be available.
For more information, contact your Honeywell representative.


*All catalog listings do not carry all certifications.
International Certifications are product specific and available upon request. Please contact Honeywell for assistance.

MICRO SWITCH WEATHER-SEALED, EXPLOSION PROOF SWITCHES

CX SERIES

When factory assembled, all basic switches operate on a clockwise and counter clockwise rotation. The actuating mechanism can be field adjusted for CW or CCW operation.

TABLE 3. ORDER GUIDE

	Cat. Listing ¹	Housing Material	Cover Size	Switch Action ²	Basic Switch Type, Quantity, Circuitry	Electrical Rating (Page 4)	Op N
	11CX12	Epoxy-coated aluminum	Short	Maintained	BZ (2), SPDT each	A (15 A)	0,5
	11CX12E	Epoxy-coated aluminum	Short	Maintained	BZ (2), SPDT each	A (15 A)	0,5
	11CX2	Epoxy-coated aluminum	Short	Momentary	BZ (2), SPDT each	A (15 A)	1,2
	11CX2E	Epoxy-coated aluminum	Short	Momentary	BZ (2), SPDT each	A (15 A)	1,2
	1172CX2	Epoxy-coated aluminum	Short	Momentary	BZ (2), SPDT each	F (1 A)	1,2
	11CX5C	Epoxy-coated aluminum	Short	Momentary	BZ (2), SPDT each	A (15 A)	1,2
	11CX212	Epoxy-coated aluminum	Short	Maintained	BZ (2), SPDT each	A (15 A)	0,5
	12CX12	Epoxy-coated aluminum	Short	Maintained	BA (2), SPDT each	B (20 A)	0,5
	12CX12-DO1	Epoxy-coated aluminum	Short	Maintained	BA (2), SPDT each	B (20 A)	0,5
	12CX15-DO1	Epoxy-coated aluminum	Short	Maintained	BA (2), SPDT each	B (20 A)	0,5
	12CX2	Epoxy-coated aluminum	Short	Momentary	BA (2), SPDT each	B (20 A)	1,2
	12CX2A	Epoxy-coated aluminum	Short	Momentary	BA (2), SPDT each	B (20 A)	1,2
	12CX2AE	Epoxy-coated aluminum	Short	Momentary	BA (2), SPDT each	B (20 A)	1,2
	12CX5E	Epoxy-coated aluminum	Short	Momentary	BA (2), SPDT each	B (20 A)	1,2
	12CX200	Epoxy-coated aluminum	Short	Maintained	BA (2), SPDT each	B (20 A)	0,5
		14CX1E	Epoxy-coated aluminum	Short	Momentary	DT (1), DPDT	C (10 A)
16CX1		Epoxy-coated aluminum	Short	Momentary	HS (1), SPDT	D (1 A)	1,2
16CX1E		Epoxy-coated aluminum	Short	Momentary	HS (1), SPDT	D (1 A)	1,2
16CX2		Epoxy-coated aluminum	Short	Momentary	HS (2), SPDT each	D (1 A)	1,2
16CX2C		Epoxy-coated aluminum	Short	Momentary	HS (2), SPDT each	D (1 A)	1,2
16CX12		Epoxy-coated aluminum	Short	Maintained	HS (2), SPDT each	D (1 A)	0,5
21CX4		Epoxy-coated aluminum	Standard	Momentary	BZ (4), SPDT each	A (15 A)	1,2
21CX12F		Epoxy-coated aluminum	Standard	Maintained	BZ (2), SPDT each	A (15 A)	0,5
21CX14		Epoxy-coated aluminum	Standard	Maintained	BZ (4), SPDT each	A (15 A)	0,5
22CX4		Epoxy-coated aluminum	Standard	Momentary	BA (4), SPDT each	B (20 A)	1,2
	24CX2	Epoxy-coated aluminum	Standard	Momentary	DT (2), DPDT each	C (10 A)	1,2
	26CX4	Epoxy-coated aluminum	Standard	Momentary	HS (4) SPDT each	D (1 A)	1,2
	26CX14	Epoxy-coated aluminum	Standard	Maintained	HS (4) SPDT each	D (1 A)	0,5
	26CX16	Epoxy-coated aluminum	Standard	Maintained	HS (4) SPDT each	D (1 A)	0,5
	74CX2	Bronze	Standard	Momentary	DT (2) DPDT each	D (10 A)	1,2
81CX2	Bronze	Standard	Momentary	BZ (2) SPDT each	A (15 A)	1,2	
82CX2A	Bronze	Standard	Momentary	BA (2) SPDT each	B (20 A)	1,2	

¹ Basic switches operate nearly simultaneously in multiple switch devices

² Shafts of devices without spring return can be rotated through 360°

All catalog listings do not carry all certifications. International Certifications are product specific and available upon request. Please contact Honeywell for as

MICRO SWITCH WEATHER-SEALED, EXPLOSION PROOF SWITCHES

CX SERIES

ation only. No tools are required. For listings not shown, contact your Honeywell representative.

Operating Torque [In-lb]	Pretravel max.	Differential Travel max.	Overtravel min.	Options	Comments
5 Nm [4.42 in-lb]	15°	10°	90°	–	–
5 Nm [4.42 in-lb]	15°	10°	90°	ATEX/IEC Ex/KOSHA certified	–
5 Nm [11.1 in-lb]	15°	10°	90°	–	–
5 Nm [11.1 in-lb]	15°	10°	90°	ATEX/IEC Ex/KOSHA certified	–
5 Nm [11.1 in-lb]	15°	10°	90°	–	Gold-plated switch contacts
5 Nm [11.1 in-lb]	15°	10°	90°	Low-temperature seals	1 switch operates CW, 1 switch operates CCW
5 Nm [4.42 in-lb]	15°	10°	90°	–	Cam provides ~ 30° actuation in 360° rotation for each basic switch
5 Nm [4.42 in-lb]	15°	10°	90°	–	–
5 Nm [4.42 in-lb]	15°	10°	90°	Flat shaft for direct coupling	–
5 Nm [4.42 in-lb]	15°	10°	90°	Flat shaft for direct coupling	1 switch operates CW, 1 switch operates CCW
5 Nm [11.1 in-lb]	15°	10°	90°	–	–
5 Nm [11.1 in-lb]	15°	10°	90°	Threaded mounting holes, side (8)	–
5 Nm [11.1 in-lb]	15°	10°	90°	Threaded mounting holes, side (8), ATEX/IEC Ex/KOSHA certified	–
5 Nm [11.1 in-lb]	15°	10°	90°	ATEX/IEC Ex/KOSHA certified	1 switch operates CW, 1 switch operates CCW
5 Nm [4.42 in-lb]	–	–	–	–	Cam provides approximately 30° actuation in 360° rotation for each basic switch
5 Nm [11.1 in-lb]	30°	25°	75°	ATEX/IEC Ex/KOSHA certified	–
5 Nm [11.1 in-lb]	30°	20°	75°	–	Hermetically sealed basic switches
5 Nm [11.1 in-lb]	30°	20°	75°	ATEX/IEC Ex/KOSHA certified	Hermetically sealed basic switches
5 Nm [11.1 in-lb]	30°	20°	75°	–	Hermetically sealed basic switches
5 Nm [11.1 in-lb]	30°	20°	75°	Low-temperature seals	Hermetically sealed basic switches
5 Nm [4.42 in-lb]	30°	20°	75°	–	Hermetically sealed basic switches
5 Nm [11.1 in-lb]	15°	10°	90°	–	–
5 Nm [4.42 in-lb]	15°	10°	90°	–	Two basic switches. 4 sets of cams & return springs
5 Nm [4.42 in-lb]	15°	10°	90°	–	–
5 Nm [11.1 in-lb]	15°	10°	90°	–	–
5 Nm [11.1 in-lb]	30°	25°	75°	–	–
5 Nm [11.1 in-lb]	30°	20°	75°	–	Hermetically sealed basic switches
5 Nm [4.42 in-lb]	30°	20°	75°	–	Hermetically sealed basic switches
5 Nm [4.42 in-lb]	30°	20°	75°	–	Hermetically sealed basic switches, two switches operate CW, two switches operate CCW
5 Nm [11.1 in-lb]	30°	25°	75°	–	Threaded mounting holes, side (8)
5 Nm [11.1 in-lb]	15°	10°	90°	–	–
5 Nm [11.1 in-lb]	15°	10°	90°	Threaded mounting holes, side (8)	–

istance.

MICRO SWITCH WEATHER-SEALED, EXPLOSION PROOF SWITCHES CX SERIES

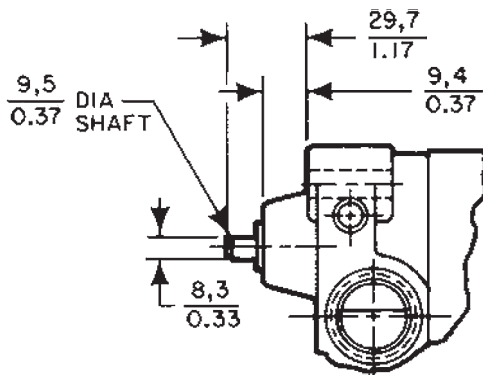
ASSEMBLY MODIFICATIONS

Modifies Shaft Enables Direct Coupling

CX switches are available with a 3/8-inch diameter by 3/4-inch long flatted shaft which conforms to standard NEMA motor shaft specifications. It accepts commercially available shaft couplers, permitting easy, direct coupling to most equipment actuators.

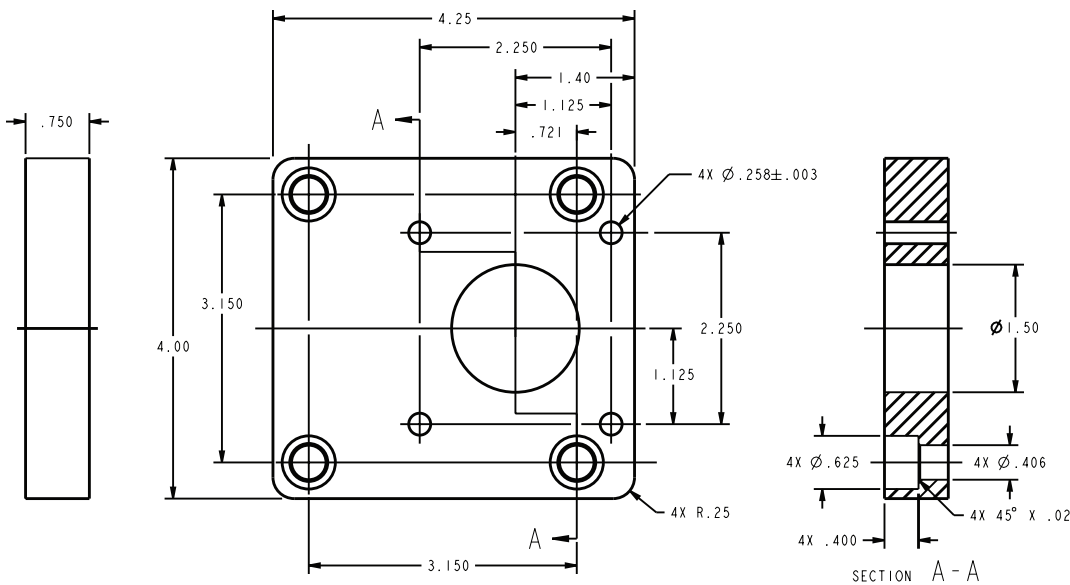
To specify a "direct-couple" CX switch: Add-DO1 to catalog listings shown in the order guides, i.e. 11CX12-DO1.

Flatted Shaft Version



Mounting Brackets

15PA500-CX adapter bracket for mounting CX products to NAMUR footprint is available upon request.



Mounting Holes

Add the letter A to listings with side mounting holes tapped 5/16-18(8). Example: 11CX2A

Add the letter B to listings with thru mounting holes tapped 3/8-24(4). Example: 11CX2B.

CX Series Replacement Basic Switch Assemblies

These assemblies are factory-adjusted to the same operating characteristics as a new CX switch. They include components subject to mechanical or electrical wear: basic switches, cams, cam followers and springs.

To order, change the first number in the complete switch catalog listing to 9 for rotary switches. For example:

Rotary switch 11CX2 Replacement = 91CX2

Note: Basic switch assemblies for rotary-actuated switches, with or without spring return, will be the same.

For example: 11CX2 and 11CX12 use 91CX2.

Low-Temperature Switches









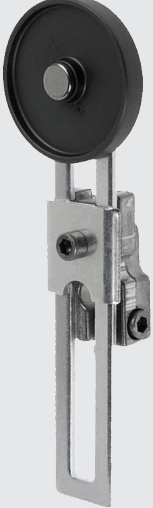



Add the letter C to listings for low temperature versions

For example: 21CX14C = -40°F [-40°C] Rotary

MICRO SWITCH WEATHER-SEALED, EXPLOSION PROOF SWITCHES

CX SERIES

Levers for use with side-rotary-actuated switches are available in a wide choice of sizes and materials. The most common listings are shown below. Rollers may be on either side of the lever to best match the external actuating mechanism.

TABLE 4. ROTARY LEVERS				
Fixed lever, nylon roller LSZ51A – front-mount roller LSZ51C – back-mount roller		Short fixed lever, nylon roller LSZ59A – front-mount roller LSZ59C – back-mount roller		Offset lever, nylon roller LSZ55A – back-mount roller LSZ55C – front-mount roller
				
One-way lever, nylon roller LSZ60A – front-mount roller		Yoke lever, nylon rollers LSZ53A – front/back-mount rollers		LSZ67CA** Plastic conveyor roller
				
Adj. lever, nylon roller LSZ52A back-mount roller LSZ52C front-mount roller	LSZ52J adjustable lever, nylon roller 25,4 mm [1 in]	LSZ52K adjustable lever, nylon roller 38,1 mm [1.5 in]	LSZ54M aluminum rod 140 mm [5.5 in]	LSZ61 loop 152 mm [6 in]
				
				




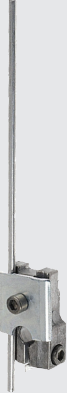

** May require orientation of switch and lever to enable gravity to help restore switch's free position.

Non-sparking rollers and actuators must be used in hazardous areas.

MICRO SWITCH WEATHER-SEALED, EXPLOSION PROOF SWITCHES

CX SERIES

TABLE 5. ROTARY LEVERS ORDER GUIDE

	Catalog Listing	Material	Roller Dia. mm [in]	Roller Width mm [in]	Roller Mounting
Fixed – 38,1 mm [1.5 in] radius					
	LSZ51	Rollerless	n/a	n/a	n/a
	LSZ51A	Nylon	19 [0.75]	6,35 [0.25]	Front
	LSZ51C	Nylon	19 [0.75]	6,35 [0.25]	Back
	LSZ51F	Nylon	25,4 [1.0]	12,7 [0.50]	Front
	LSZ51G	Nylon	38,1 [1.5]	6,35 [0.25]	Front
	LSZ51J	Nylon	25,4 [1.0]	12,7 [0.50]	Back
	LSZ51M	Nylon	19 [0.75]	31,7 [1.25]	Back
	LSZ51P	Nylon	19 [0.75]	12,7 [0.50]	Front
	LSZ251A (sst)	Nylon	19 [0.75]	6,35 [0.25]	Front
	LSZ251C (sst)	Nylon	19 [0.75]	6,35 [0.25]	Back
	LSZ251E (sst)	Copper alloy	19 [0.75]	6,35 [0.25]	Front
LSZ251F (sst)	Copper alloy	19 [0.75]	6,35 [0.25]	Back	
Adjustable – 38,1 mm [1.5 in] to 88,9 mm [3.5 in] radius					
	LSZ52	Rollerless	n/a	n/a	n/a
	LSZ52A	Nylon	19 [0.75]	6,35 [0.25]	Back
	LSZ52C	Nylon	19 [0.75]	6,35 [0.25]	Front
	LSZ52E	Nylon	19 [0.75]	33,0 [1.30]	Front
	LSZ52J	Nylon	25,4 [1.0]	12,7 [0.50]	Front
	LSZ52K	Nylon	38,1 [1.5]	6,35 [0.25]	Front
	LSZ52M	Nylon	50,8 [2.0]	6,35 [0.25]	Front
	LSZ52N	Nylon	19 [0.75]	12,7 [0.50]	Front
	LSZ252A (sst)	Nylon	19 [0.75]	6,35 [0.25]	Front
	LSZ252C (sst)	Nylon	19 [0.75]	6,35 [0.25]	Back
	LSZ252E (sst)	Copper alloy	19 [0.75]	6,35 [0.25]	Front
LSZ252F (sst)	Copper alloy	19 [0.75]	6,35 [0.25]	Back	
Yoke – 38,1 mm [1.5 in] radius					
	LSZ53A	Nylon	19 [0.75]	6,35 [0.25]	Front/Back
	LSZ53E	Nylon	19 [0.75]	6,35 [0.25]	Back/Front
	LSZ53M	Nylon	19 [0.75]	31,7 [1.25]	Back/Front
	LSZ53S	Nylon	19 [0.75]	6,35 [0.25]	Back/Back
Rod					
	LSZ54	Hub only	n/a	n/a	n/a
	LSZ54M	Alum, 140 mm [5.5 in]	Ø 3,2 [Ø 0.125]	n/a	n/a
	LSZ54N	Stainless, 330 mm [13 in]	Ø 3,2 [Ø 0.125]	n/a	n/a
	LSZ54P	Plastic rod, 305 mm [12 in]	Ø6,85 [Ø 0.27]	n/a	n/a
	LSZ54W	Plastic rod, 183 mm [7.2 in]	Ø6,85 [Ø 0.27]	n/a	n/a
Offset – 38,1 mm [1.5 in] radius					
	LSZ55	Rollerless	n/a	n/a	n/a
	LSZ55A	Nylon	19 [0.75]	6,35 [0.25]	Back
	LSZ55C	Nylon	19 [0.75]	6,35 [0.25]	Front
	LSZ55E	Nylon	19 [0.75]	12,7 [0.50]	Front
	LSZ55K	Nylon	38,1 [1.5]	6,35 [0.25]	Front

All catalog listings do not carry all certifications. International Certifications are product specific and available upon request. Please contact Honeywell for assistance.

MICRO SWITCH WEATHER-SEALED, EXPLOSION PROOF SWITCHES CX SERIES

TABLE 5. ROTARY LEVERS ORDER GUIDE

	Catalog Listing	Material	Roller Dia. mm [in]	Roller Width mm [in]	Roller Mounting
Short fixed – 33,02 mm [1.3 in] radius					
	LSZ59A	Nylon	19 [0.75]	6,35 [0.25]	Front
	LSZ59C	Nylon	19 [0.75]	6,35 [0.25]	Back
One-way roller lever					
	LSZ60A	Nylon	19 [0.75]	6,35 [0.25]	Front
Flexible loop					
	LSZ61	Ø 4,8 [Ø 0.19] Nylatron	152 mm [6 in] flexible loop		
	LSZ61B	Ø 4,8 [Ø 0.19] Nylatron	241 mm [9.5 in] flexible loop		
	LSZ54	Hub only	n/a	n/a	n/a
Rubber roller levers					
	LSZ51Y 38,1 [1.5] radius (standard)	Rubber	50 [2.0]	12,7 [0.5]	front
	LSZ55Y 38,1 [1.5] radius (offset)	Rubber	50 [2.0]	12,7 [0.5]	front
	LSZ52Y 38,1 to 89 [1.5 to 3.5] radius (adjustable)	Rubber	50 [2.0]	12,7 [0.5]	front
Plastic roller levers					
	LSZ67AA (conveyor)*	Plastic	38,1 [1.5]	96,5 [3.8]	n/a

* May require orientation of switch and lever to enable gravity to help restore switch to free position.

MICRO SWITCH WEATHER-SEALED, EXPLOSION PROOF SWITCHES CX SERIES

DIMENSIONS MM[IN]

Figure 1. MICRO SWITCH CX - side rotary standard housing

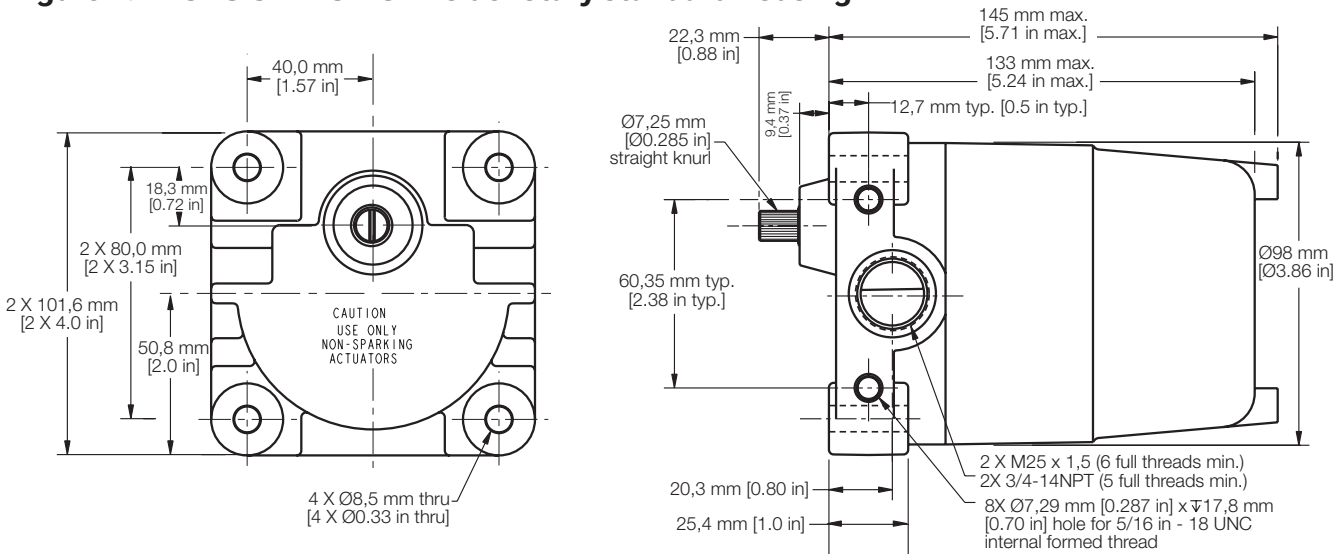


Figure 2. MICRO SWITCH CX - side rotary short housing

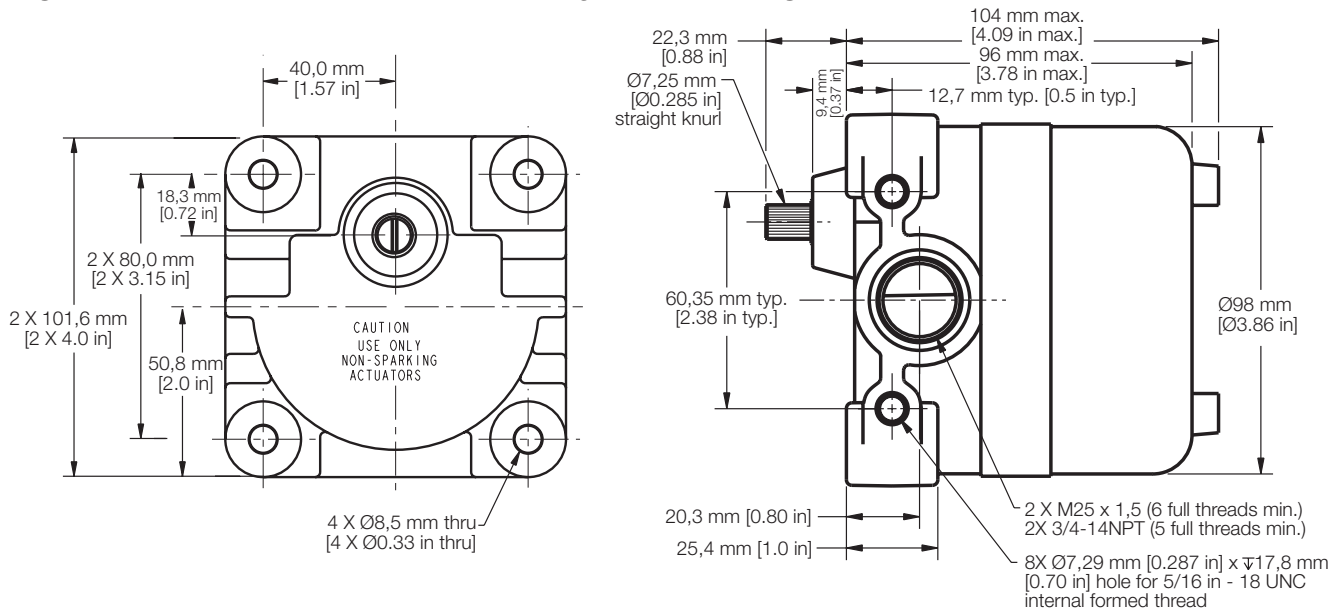
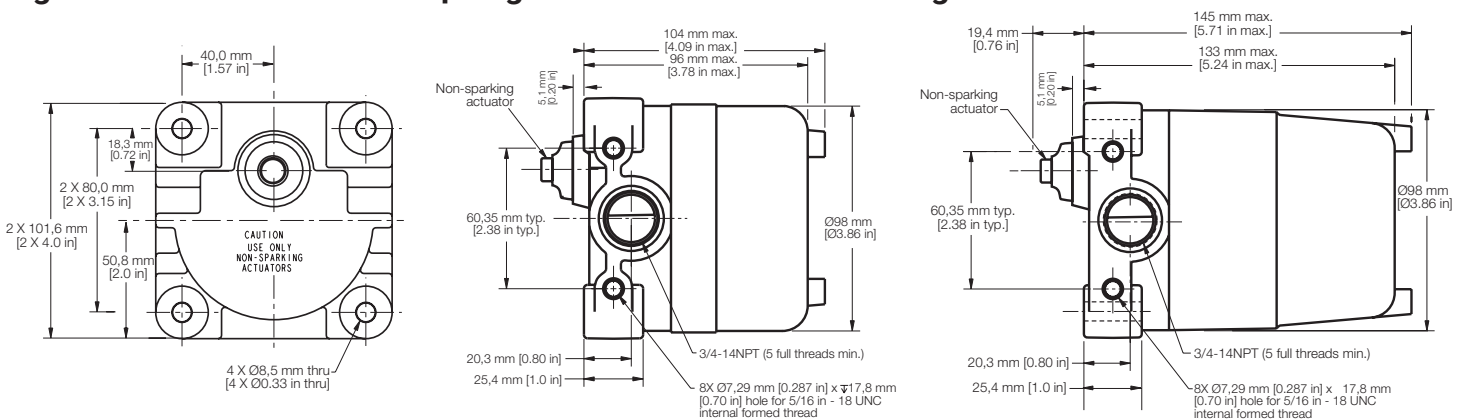


Figure 3. MICRO SWITCH CX - plunger standard and short housing

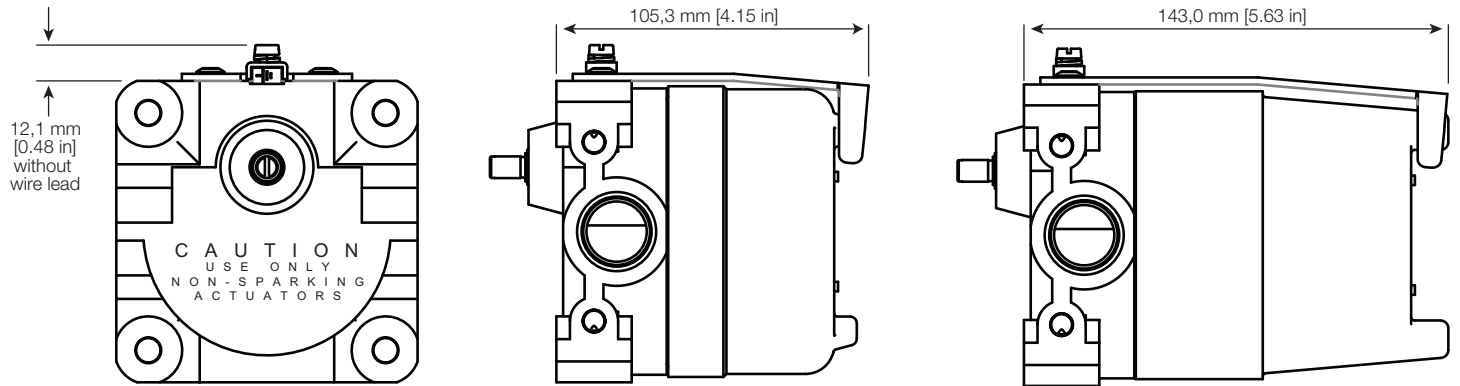


MICRO SWITCH WEATHER-SEALED, EXPLOSION PROOF SWITCHES CX SERIES

ATEX COVER CLAMP ASSEMBLY

For European Compliance

To specify a CX switch with ATEX, IEC Ex, or KOSHA certifications, add the letter "E" to the end of the catalog listing: 11CX2E.



WARRANTY/REMEDY

Honeywell warrants goods of its manufacture as being free of defective materials and faulty workmanship during the applicable warranty period. Honeywell's standard product warranty applies unless agreed to otherwise by Honeywell in writing; please refer to your order acknowledgment or consult your local sales office for specific warranty details. If warranted goods are returned to Honeywell during the period of coverage, Honeywell will repair or replace, at its option, without charge those items that Honeywell, in its sole discretion, finds defective. **The foregoing is buyer's sole remedy and is in lieu of all other warranties, expressed or implied, including those of merchantability and fitness for a particular purpose. In no event shall Honeywell be liable for consequential, special, or indirect damages.**

While Honeywell may provide application assistance personally, through our literature and the Honeywell web site, it is buyer's sole responsibility to determine the suitability of the product in the application.

Specifications may change without notice. The information we supply is believed to be accurate and reliable as of this writing. However, Honeywell assumes no responsibility for its use.

For more information

Honeywell Advanced Sensing Technologies services its customers through a world-wide network of sales offices and distributors. For application assistance, current specifications, pricing, or the nearest Authorized Distributor, visit sps.honeywell.com/ast or call:

USA/Canada	+302 613 4491
Latin America	+1 305 805 8188
Europe	+44 1344 238258
Japan	+81 (0) 3-6730-7152
Singapore	+65 6355 2828
Greater China	+86 4006396841

Honeywell Sensing & Safety Technologies

830 East Arapaho Road
Richardson, TX 75081
www.honeywell.com

WARNING IMPROPER INSTALLATION

- Consult with local safety agencies and their requirements when designing a machine-control link, interface and all control elements that affect safety.
- Strictly adhere to all installation instructions.

Failure to comply with these instructions could result in death or serious injury.

WARNING MISUSE OF DOCUMENTATION

- The information presented in this product sheet is for reference only. Do not use this document as a product installation guide.
- Complete installation, operation, and maintenance information is provided in the instructions supplied with each product.

Failure to comply with these instructions could result in death or serious injury.