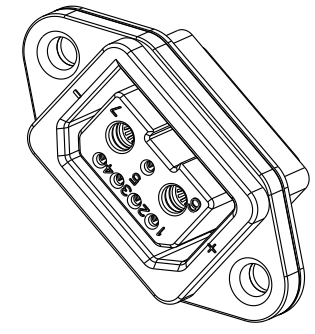


PAGE	REV.	ECN NO.	DESCRIPTION	DSN	DATE
	LI	N/A	INITIAL DRAWING	JING GE	2021/11/27

SPECIFICATIONS&TEST REQUIREMENTS

- 1.VOLTAGE RATING:72V DC;
- 2.CURRENT RATING:35A+2A;
- 3.DIELECTRIC WITHSTANDING VOLTAGE:
1500V AC LEAKAGE CURRENT SMALLER THAN 2mA;
- 4.PLUGGING FORCE:50~110N;
- 5.MECHANICAL LIFE:5000 TIMES;
- 6.SALT SPRAY TEST:48H;
- 7.OPERATION TEMPERATURE:-25°C~85°C;
- 8.ROHS COMPLIANT.

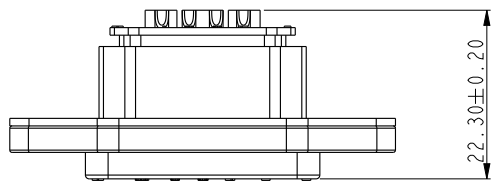
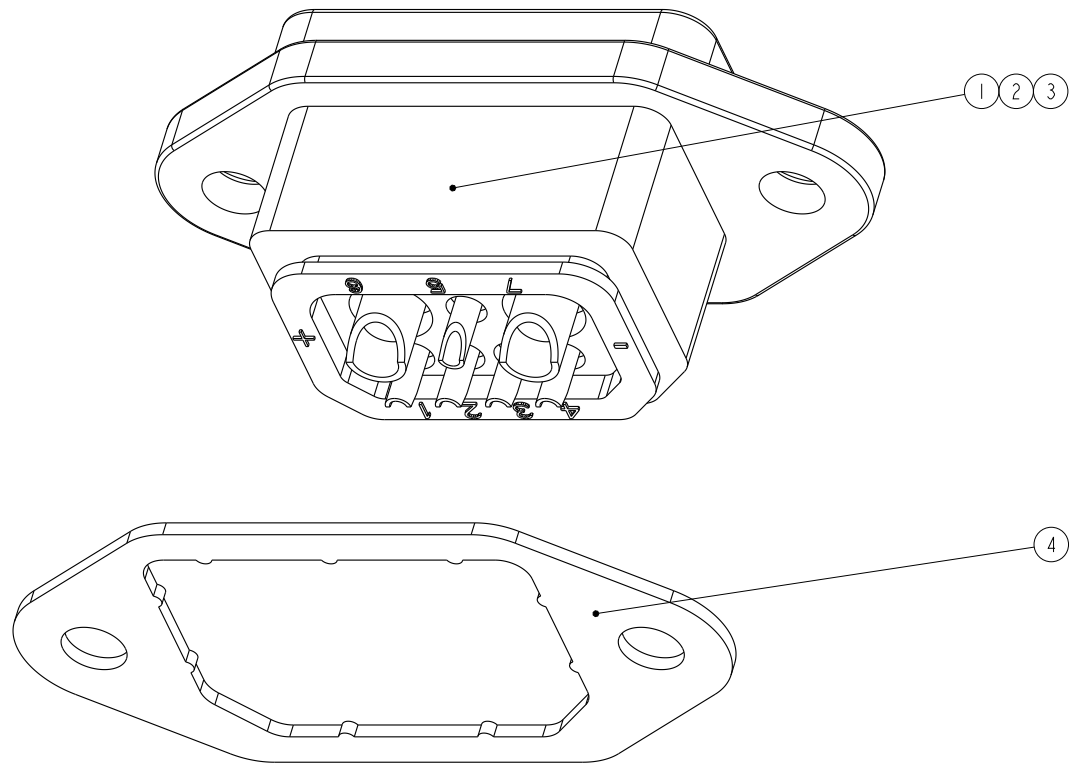


THIS INFORMATION IS CONFIDENTIAL AND IS DISCLOSED TO YOU ON CONDITION THAT NO FURTHER DISCLOSURE IS MADE BY YOU TO OTHER THAN CHOGORI PERSONNEL WITHOUT AUTHORIZATION FROM CHOGORI CORP.

UNIT:mm		DESCRIPTION:			PART NO.	DRAWN	PROOFREAD
		RC03 2+5 PIN FEMALE CONNECTOR			13205556-01	JING GE	XIAO BING
		TOLERANCE	SCALE. 1:1		SHEET. 1 OF 2	MATERIAL	CHECKED
GB/T 1804-m	REV. LI	SIZE: A4	ASME Y14.5-2009	Chogori Technology Co. LTD.	MOLD NO.	APPROVED	CHEN PING

F
E
D
C
B
A

1 2 3 4 5 6 7 8



SCALE 1:1

4	503-00338-00	2	PC	DOW CORNING RBB6650 BLK	
3	302-00288-05	5	PC	QSn4-3 Y Cu/EP•Ni3	
2	801-00303-05	1	PC	H62Y Cu/EP•Ni3	
1	106-00459-00	1	PC	PA66 RG301 BLK	

ITEM	CHOGORI P/N	QTY	UNIT	DESCRIPTION	REMARKS
------	-------------	-----	------	-------------	---------

UNIT:mm		DESCRIPTION:
TOLERANCE		RC03 2+5 PIN FEMALE CONNECTOR
GB/T 1804-m		SCALE. 2:1 SHEET. 2 OF 2
	REV. LI	SIZE: A4 ASME Y14.5-2009

CHOGORI[®]
Chogori Technology Co. LTD.

PART NO.	13205556-01	DRAWN	JING GE	PROOFREAD	XIAO BING
MATERIAL		CHECKED	JING GE	STANDARDIZED	APPLE
MOLD NO.		APPROVED	CHEN PING		