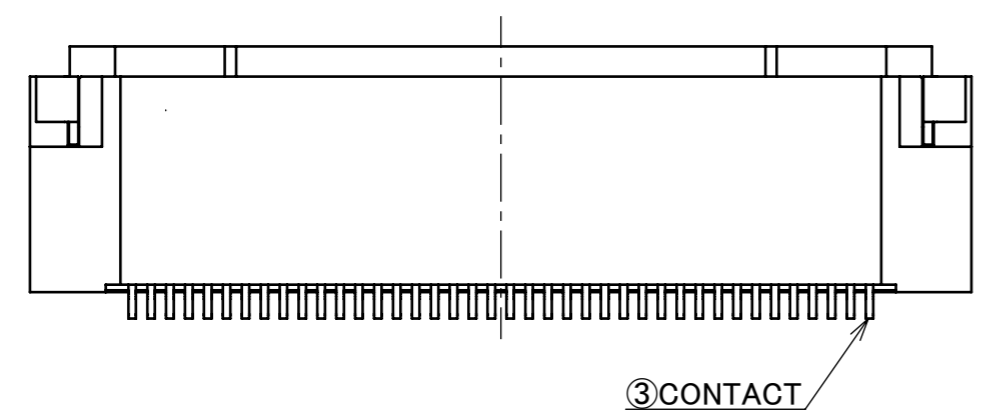
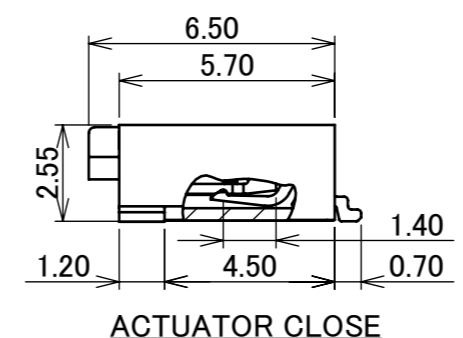
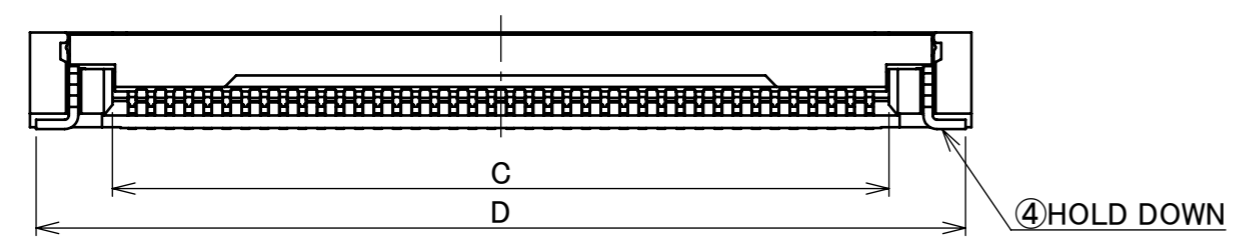
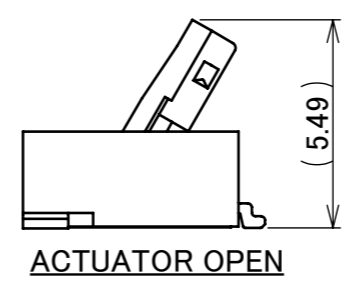
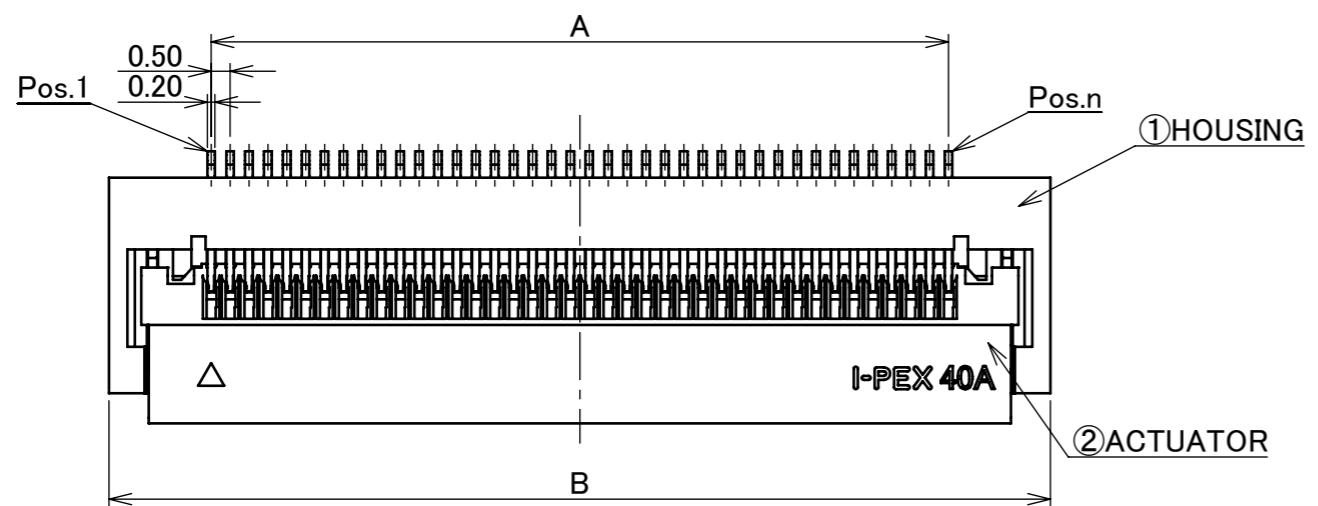
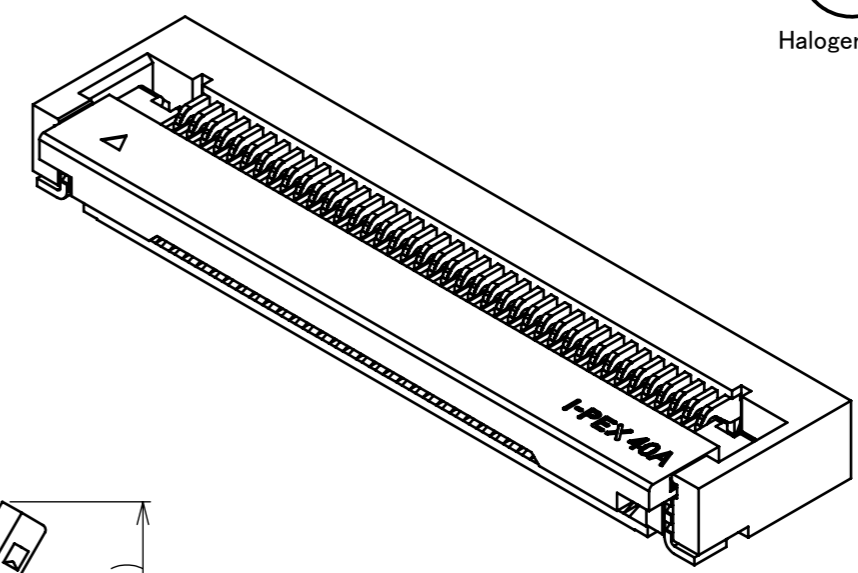


Recommended P/N 20647-0**E-01

PART No.	Pos.	A	B	C	D
20647-020E-01	20P	9.50	14.90	10.57	14.58
20647-030E-01	30P	14.50	19.90	15.57	19.58
20647-040E-01	40P	19.50	24.90	20.57	24.58
20647-050E-01	50P	24.50	29.90	25.57	29.58
20647-055E-01	55P	27.00	32.40	28.07	32.08
20647-060E-01	60P	29.50	34.90	30.57	34.58
20647-064E-01	64P	31.50	36.90	32.57	36.58
20647-068E-01	68P	33.50	38.90	34.57	38.58



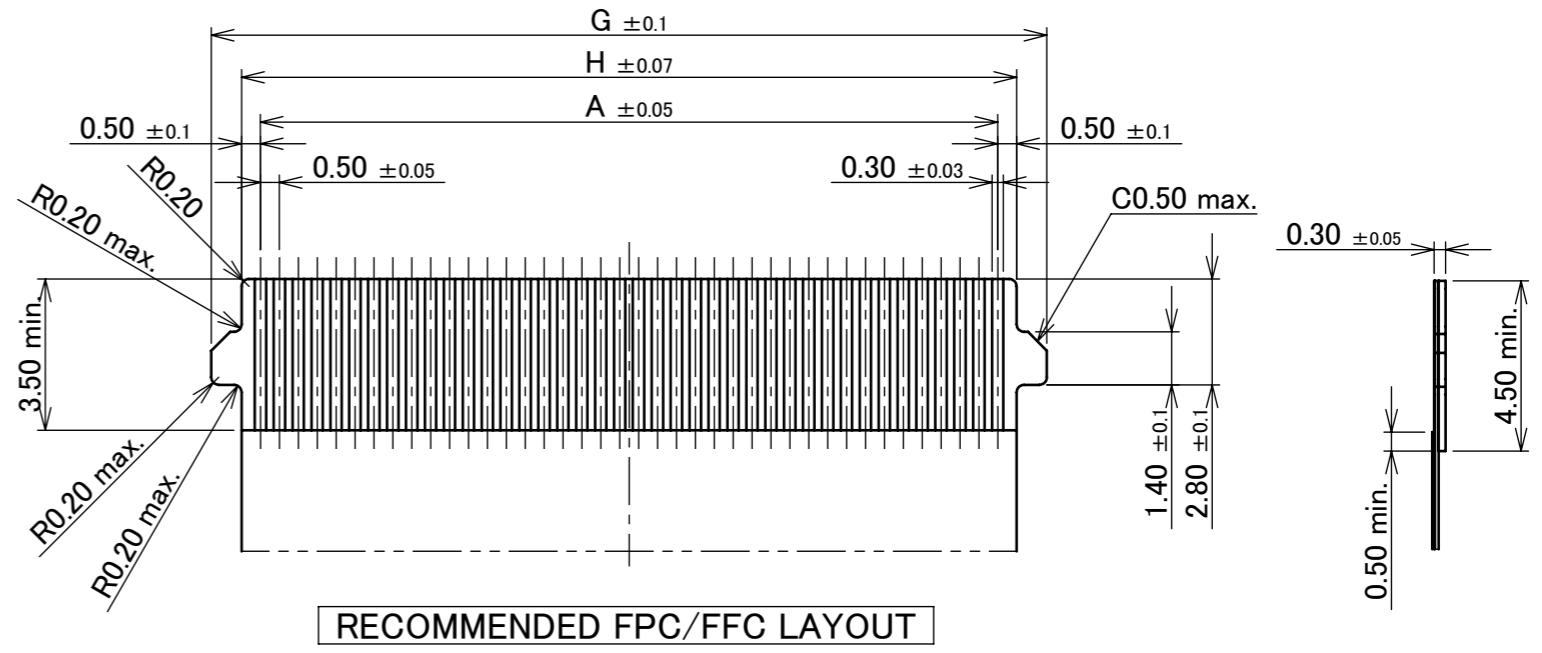
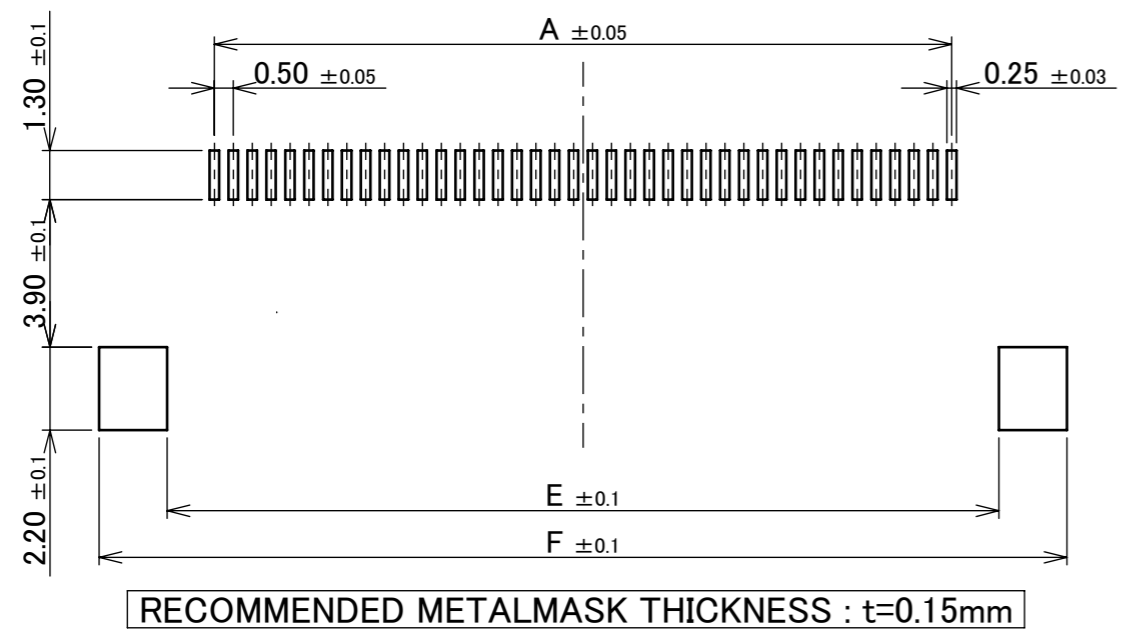
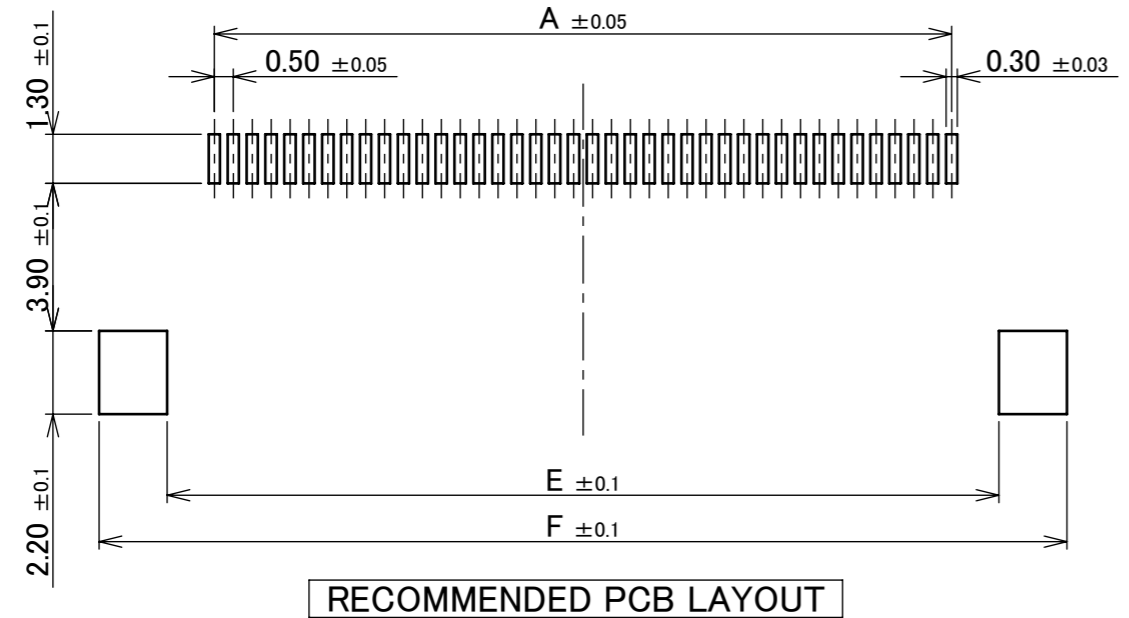
4	HOLD DOWN	COPPER ALLOY	SOLDERING AREA : Au 0.02 μm MIN. OVER Ni 1.00 μm MIN.
3	CONTACT	COPPER ALLOY	CONTACT AREA : Au 0.03 μm MIN. OVER Ni 1.00 μm MIN. SOLDERING AREA : Au 0.03 μm MIN. OVER Ni 1.00 μm MIN.
2	ACTUATOR	LCP	UL94V-0 BLACK
1	HOUSING	LCP	UL94V-0 BEIGE
NO.	DISCRIPTION	MATERIAL	FINISH , REMARKS

12	Z230998	MINO	Aug./25/'23	H.I	ANGLE	±2°	6 OVER 30 MAX.	±0.3	PROJECTION ⊕	SERIES No. R3	CUSTOMER COPY	
11	Z210352	H.K	Apr./02/'21	H.I	6 MAX.	±0.2	30 OVER 120 MAX.	±0.5				
10	Z201197	H.K	Nov./19/'20	Y.S	GENERAL TOLERANCE.			TITLE MINIFLEX® 5-FF	SCALE 5:1	UNIT mm	I-PEX	
9	Z191557	H.K	Nov./29/'19	H.I	DWG.	DATE						
8	Z191258	S.Sh	Sept./19/'19	H.I	T.Ogino		2014/11/06	CHK. J.Tateishi	DWG. No. 20647	SIZE A3	SHEET 1/5	REV. 12
7	Z190078	S.Sh	Jan./18/'19	H.I	2014/11/07							
REV.	ECN	BY	DATE	APP.	E.Kawabe		2014/11/07					
REVISION RECORD												

ITEMS	SPECIFICATION
RATING VOLTAGE	50V AC (PER CONTACT PIN)
RATING AMPERAGE (FOR CONTACT)	0.5A DC (PER CONTACT PIN) / 0.35A DC(AVAILABLE FOR ALL PIN)
OPERATING TEMPERATURE	233~378K(-40°C~+105°C)
OPERATING HUMIDITY	90% MAX.(NON-CONDENSING)
CONTACT RESISTANCE (FOR CONTACT)	INITIAL : 40mohm MAX. / AFTER TEST : \leq 120mohm MAX.
INSULATION RESISTANCE	INITIAL : 500Mohm MIN. / AFTER TEST : 500Mohm MIN.
DIELECTRIC WITHSTANDING VOLTAGE	AC200V 1min
DURABILITY	20 CYCLES
CABLE RETENTION FORCE	20P : 8.0N MIN.
	30P : 12.0N MIN.
	40P : 16.0N MIN.
	50P : 20.0N MIN.
	55P : 22.0N MIN.
	60P : 24.0N MIN.
	64P : 25.6N MIN. 68P : 27.2N MIN.
PRODUCT SPECIFICATION	PRS-2039
TEST REPORT	TR-14129
PACKING STANDARD	PST-14086
INSTRUCTION MANUAL	HIM-15007
APPEARANCE CRITERIA No.	QLS-A***

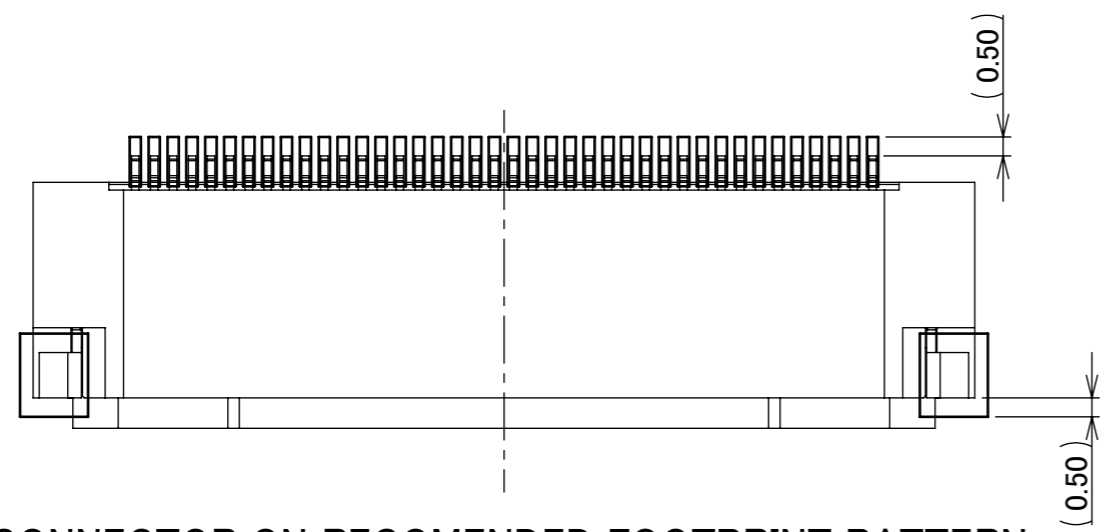
ANGLE	$\pm 2^\circ$	6 OVER 30 MAX.	± 0.3	PROJECTION 	SERIES No. R3	CUSTOMER COPY		
6 MAX.	± 0.2	30 OVER 120 MAX.	± 0.5					
GENERAL TOLERANCE.				TITLE MINIFLEX® 5-FF	SCALE 5:1	I-PEX		
DWG.	DATE							
CHK.								
APP.								
				DWG. No.	20647	SIZE A3	SHEET 2/5	REV. 12

Pos.	A	E	F	G	H
20P	9.50	12.00	15.60	12.10	10.50
30P	14.50	17.00	20.60	17.10	15.50
40P	19.50	22.00	25.60	22.10	20.50
50P	24.50	27.00	30.60	27.10	25.50
55P	27.00	29.50	33.10	29.60	28.00
60P	29.50	32.00	35.60	32.10	30.50
64P	31.50	34.00	37.60	34.10	32.50
68P	33.50	36.00	39.60	36.10	34.50

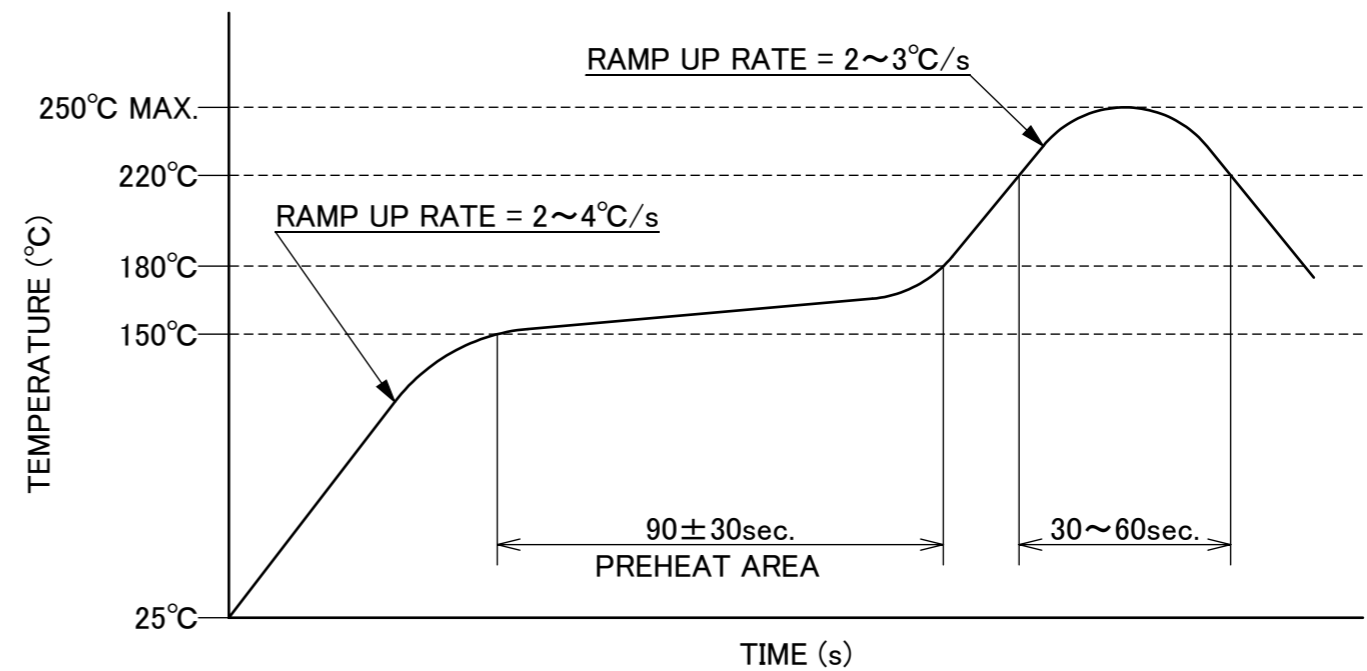


- NOTES
- MATERIAL
 COVER FILM : PI
 CONDUCTOR : COPPER
 BASE FILM : PI
 STIFFENER : PI
 ADHESIVE : THERMOSETTING ADHESIVE
 - FINISH
 Au OVER Ni UNDER PLATING

ANGLE	±2°	6 OVER 30 MAX.	±0.3	PROJECTION ⊕	SERIES No. R3	CUSTOMER COPY	
6 MAX.	±0.2	30 OVER 120 MAX.	±0.5				
GENERAL TOLERANCE.				TITLE MINIFLEX® 5-FF		SCALE 5:1	I-PEX
DWG.	DATE			DWG. No. 20647		UNIT mm	
CHK.						SIZE A3	
APP.						SHEET 3/5	REV. 12



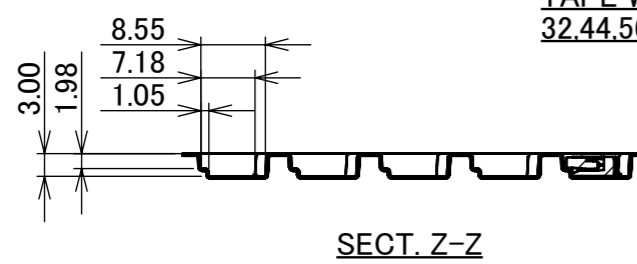
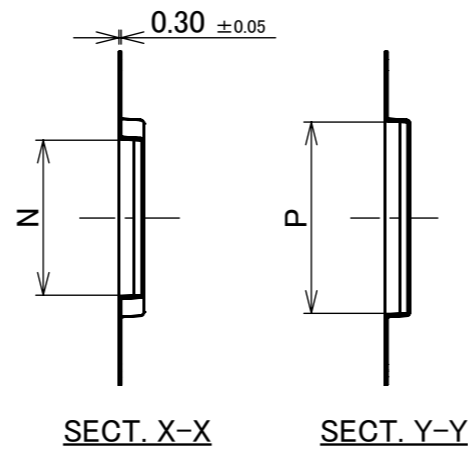
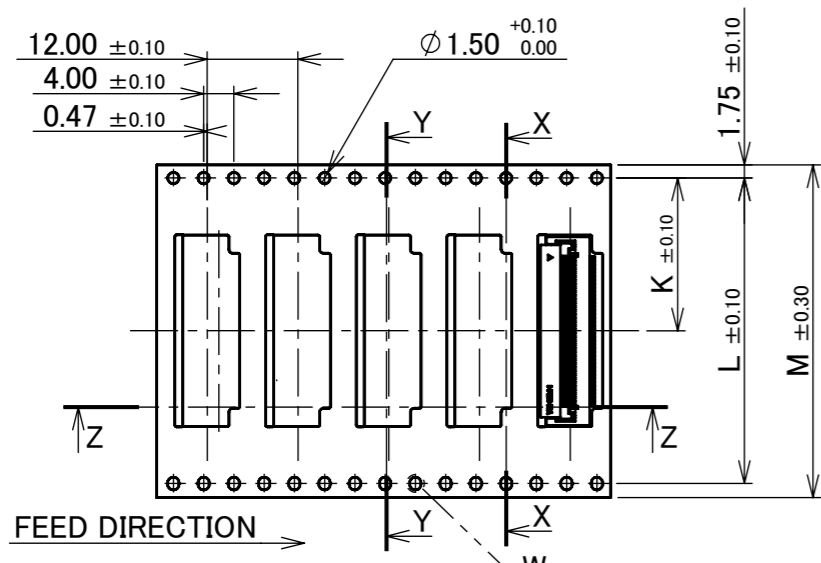
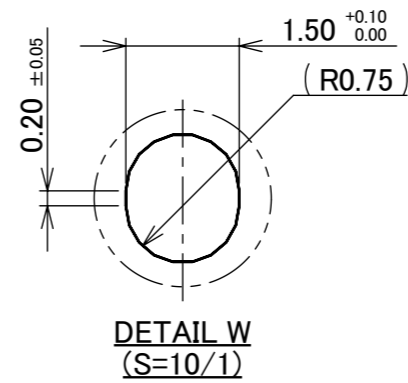
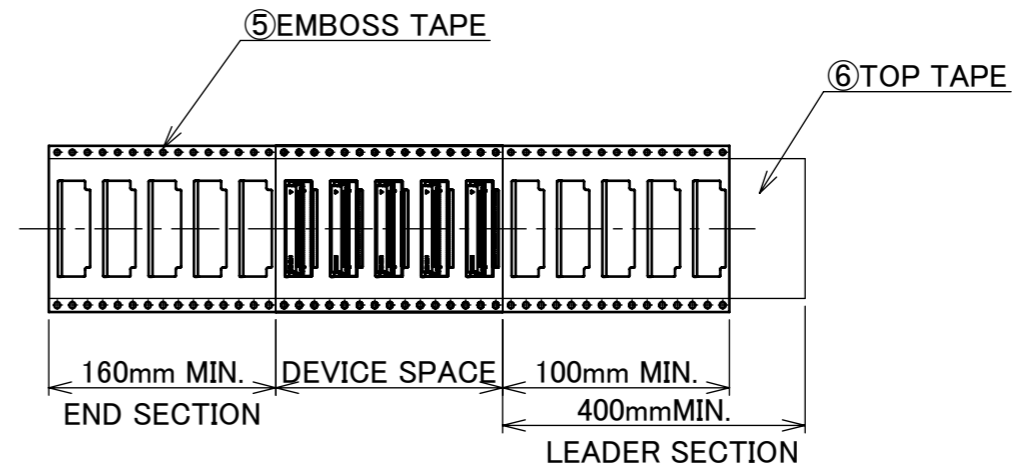
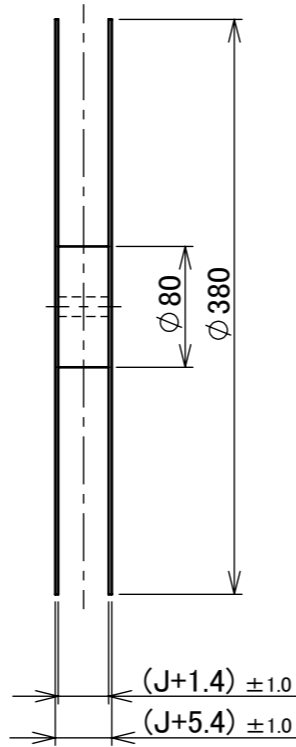
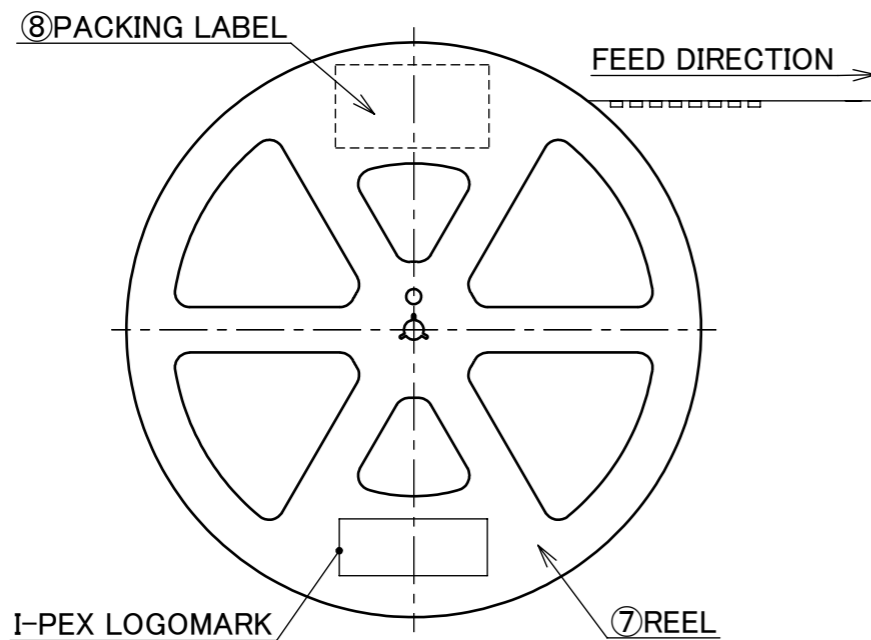
CONNECTOR ON RECOMENDED FOOTPRINT PATTERN



REFLOW TEMPERATURE PROFILE
 SENJU METAL INDUSTRY CO., LTD. : M705-SHF(Sn96.5 Ag3.0 Cu0.5)

ANGLE	±2°	6 OVER 30 MAX.	±0.3	PROJECTION 	SERIES No. R3	CUSTOMER COPY					
6 MAX.	±0.2	30 OVER 120 MAX.	±0.5								
GENERAL TOLERANCE.				TITLE MINIFLEX® 5-FF		SCALE 5:1					
DWG.	DATE			DWG. No. 20647		UNIT mm					
CHK.						SIZE A3				SHEET 4/5	REV. 12
APP.											

PART NO.	J	K	L	M	N	P	QTY. PER EMBOSS REEL (PIECES / REEL)	QTY. PER PACKING CARTON (REELS / CARTON)
20647-020E-01	24.00	11.50	-	24.00	10.50	15.30	2000 PIECES / REEL	5REELS / CARTON = 10000 PIECES / CARTON
20647-030E-01	32.00	14.20	28.40	32.00	15.50	20.30		4REELS / CARTON = 8000 PIECES / CARTON
20647-040E-01	44.00	20.20	40.40	44.00	20.50	25.30		3REELS / CARTON = 6000 PIECES / CARTON
20647-050E-01	44.00	20.20	40.40	44.00	25.50	30.30		
20647-055E-01	44.00	20.20	40.40	44.00	28.00	32.80		2REELS / CARTON = 4000 PIECES / CARTON
20647-060E-01	56.00	26.20	52.40	56.00	30.50	35.30		
20647-064E-01	56.00	26.20	52.40	56.00	32.50	37.30		
20647-068E-01	56.00	26.20	52.40	56.00	34.50	39.30		



TAPE WIDTH
32.44.56 ONLY

NOTES.

- TAPING SPECIFICATION FOLLOWS JIS C 0806 (IEC 60286-3).
- MAKE EMPTY SECTION OF LEADER AND END ON EACH END OF THE TAPE.
- TOP TAPE SHALL NOT STICK OUT FROM EMBOSS TAPE.
- TOP TAPE SHALL NOT COVER FEED HOLE.

NO.	DISCRIPTION	MATERIAL	FINISH , REMARKS
8	PACKING LABEL	-	-
7	REEL	PS	BLACK
6	TOP TAPE	PET t=0.062 TRANSPARENCY	ANTI-STATIC TYPE
5	EMBOSS TAPE	PS t=0.3 TRANSPARENCY	ANTI-STATIC TYPE

ANGLE	$\pm 2^\circ$	6 OVER 30 MAX.	± 0.3	PROJECTION 	SERIES No. R3	CUSTOMER COPY	
6 MAX.	± 0.2	30 OVER 120 MAX.	± 0.5				
GENERAL TOLERANCE.				TITLE MINIFLEX® 5-FF	SCALE 5:1	UNIT mm	
DWG.	DATE						
CHK.							
APP.							
DWG. No.				20647	SIZE A3	SHEET 5/5	REV. 12