

Recommended P/N 20698-0\*\*E-01#

PART No.	SIGNAL POS.	POWER POS.	A	B	C	D
20698-016E-01	16P	4P	6.85	4.44	3.50	2.45
20698-028E-01	28P	4P	8.95	6.54	5.60	4.55
20698-034E-01	34P	4P	10.00	7.59	6.65	5.60
20698-042E-01#	42P	4P	11.40	8.99	8.05	7.00
20698-056E-01#	56P	4P	13.85	11.44	10.50	9.45
20698-062E-01#	62P	4P	14.90	12.49	11.55	10.50

20698-0\*\*E-01M

WITHOUT : 10,000 pcs/REEL  
WITH : 5,000 pcs/REEL

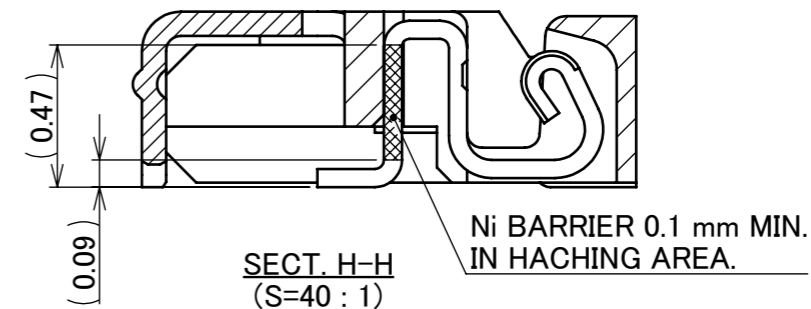
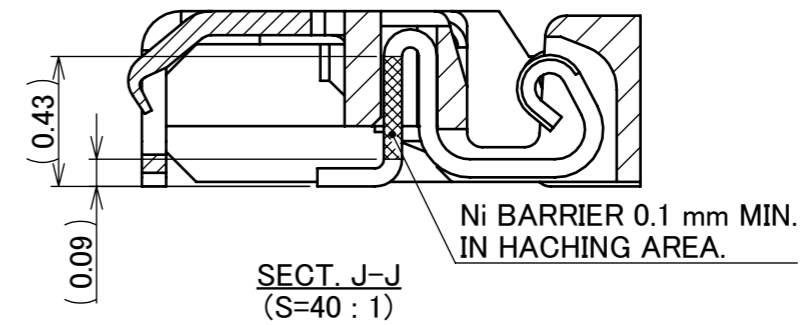
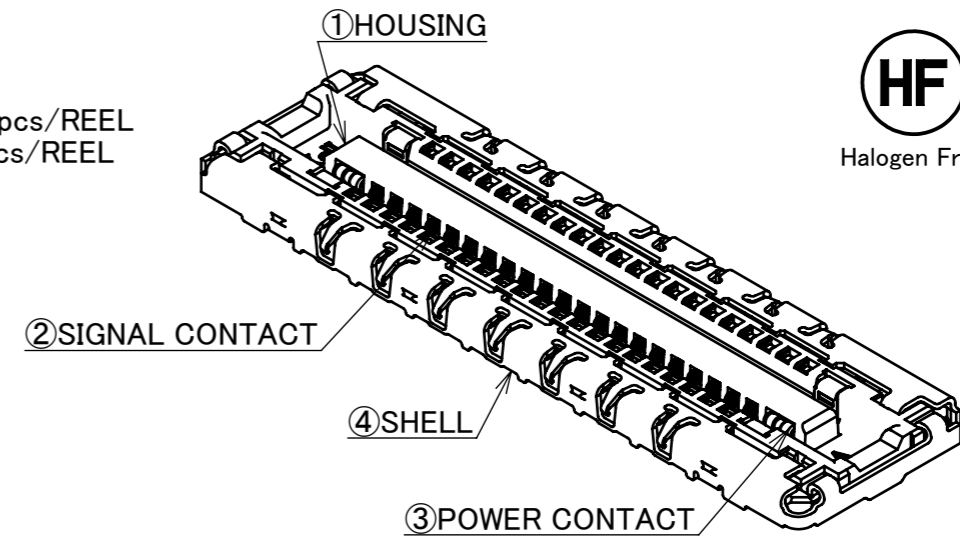
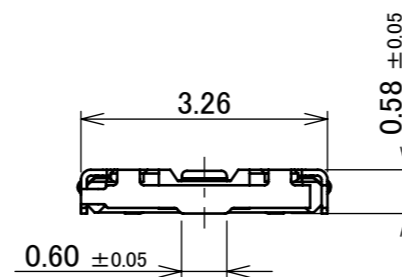
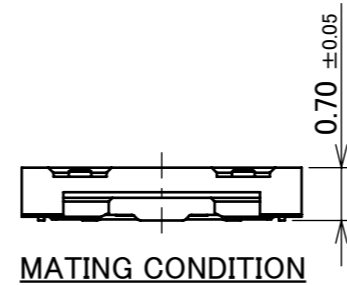
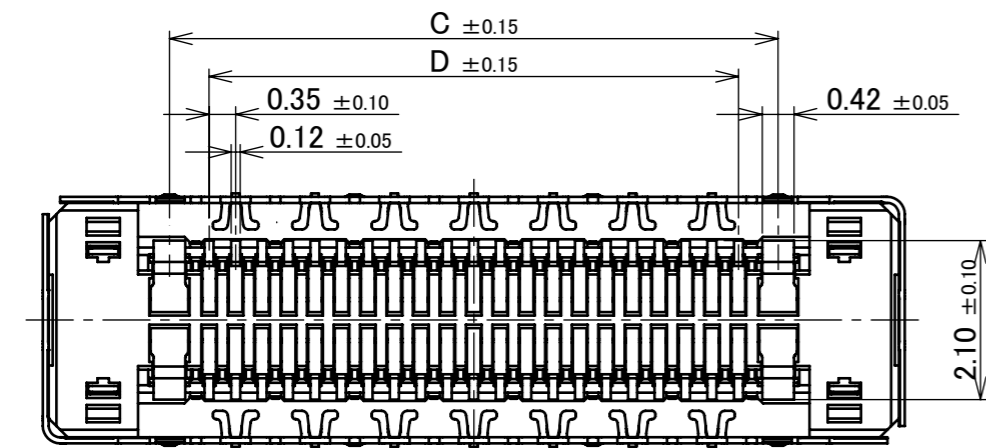
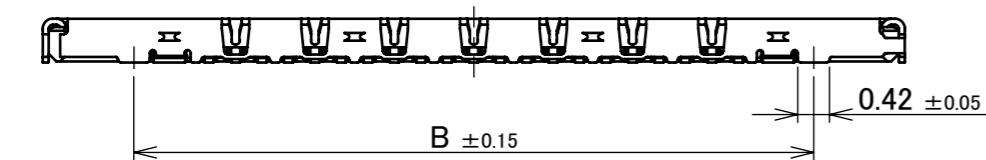
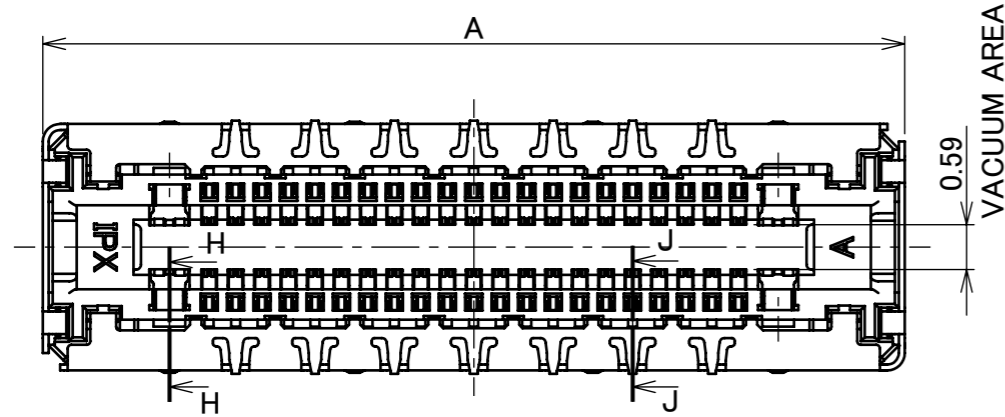
Pos.



Halogen Free



RoHS Compliant



NO.	DISCRIPTION	MATERIAL	FINISH , REMARKS
4	SHELL	PHOSPHOR BRONZE	ALL OVER Ni 1.27 μ m MIN. Au 0.01 μ m MIN.
3	POWER CONTACT	CORSON ALLOY	ALL OVER Ni 1.27 μ m MIN. CONTACT PART Au 0.05 μ m MIN. SOLDERING PART Au 0.02 μ m MIN.
2	SIGNAL CONTACT	CORSON ALLOY	ALL OVER Ni 1.27 μ m MIN. CONTACT PART Au 0.10 μ m MIN. SOLDERING PART Au 0.02 μ m MIN.
1	HOUSING	LCP	UL94V-0, BLACK

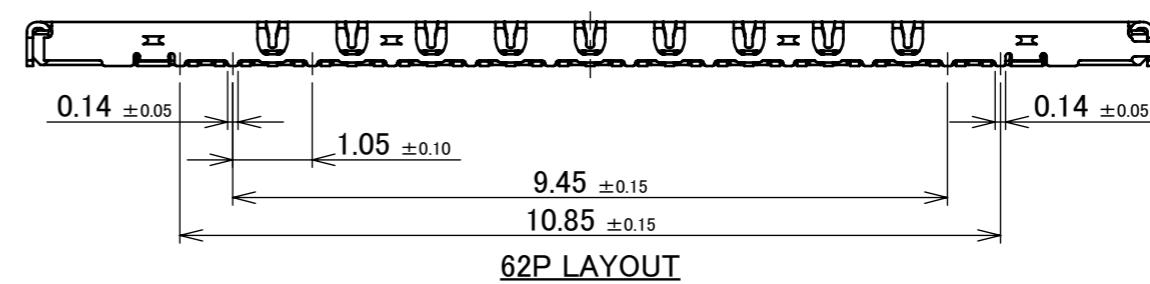
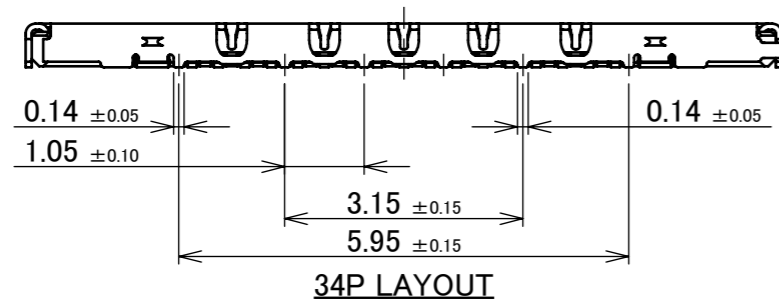
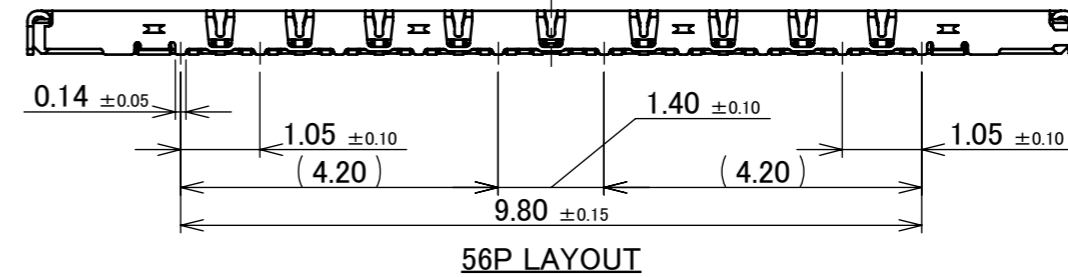
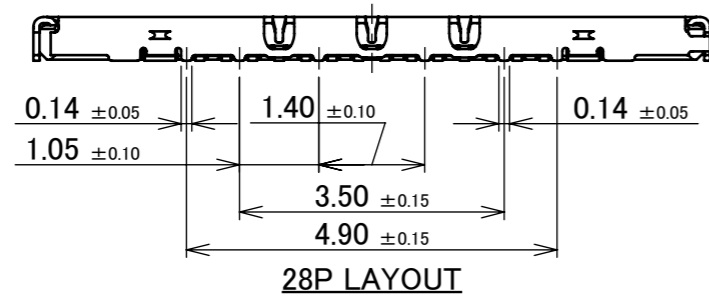
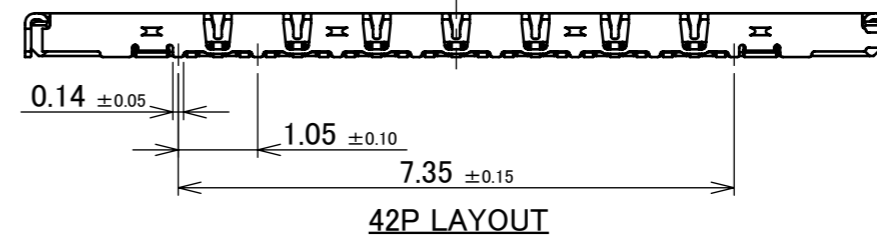
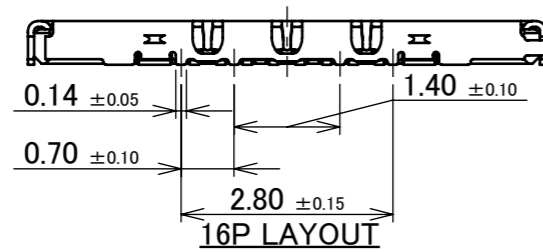
REV.	ECN	BY	DATE	APP.	APP.	ANGLE	PROJECTION	SERIES No.	TITLE	SCALE	SHEET	REV.
11	Z240715	Y.F	2024/06/07	S.S	ANGLE	±2°	6 OVER 30 MAX.	±0.3	NOVASTACK® 35-HDP RECEPTACLE ASSEMBLY	10:1	A3	11
10	Z230294	K.W	2023/03/22	M.T	6 MAX.	±0.2	30 OVER 120 MAX.	±0.5				
9	Z220191	Y.I	2022/03/04	Y.H	GENERAL TOLERANCE.				DWG. No. 20698	1/9	11	
8	Z211370	M.H	2021/11/09	Y.H	DWG.	T.Kurachi	DATE	2016/01/13				
7	Z200541	Y.B	2020/05/26	T.Y	CHK.							
6	Z180895	R.H	2018/07/09	TAK	APP.	J.Tateishi						
REVISION RECORD								DWG. No.	20698	SIZE	SHEET	REV.

PART No.	SIGNAL POS.	POWER POS.
20698-016E-01	16P	4P
20698-028E-01	28P	4P
20698-034E-01	34P	4P
20698-042E-01#	42P	4P
20698-056E-01#	56P	4P
20698-062E-01#	62P	4P

20698-0\*\*E-01M

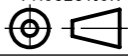
WITHOUT : 10,000 pcs/REEL  
WITH : 5,000 pcs/REEL

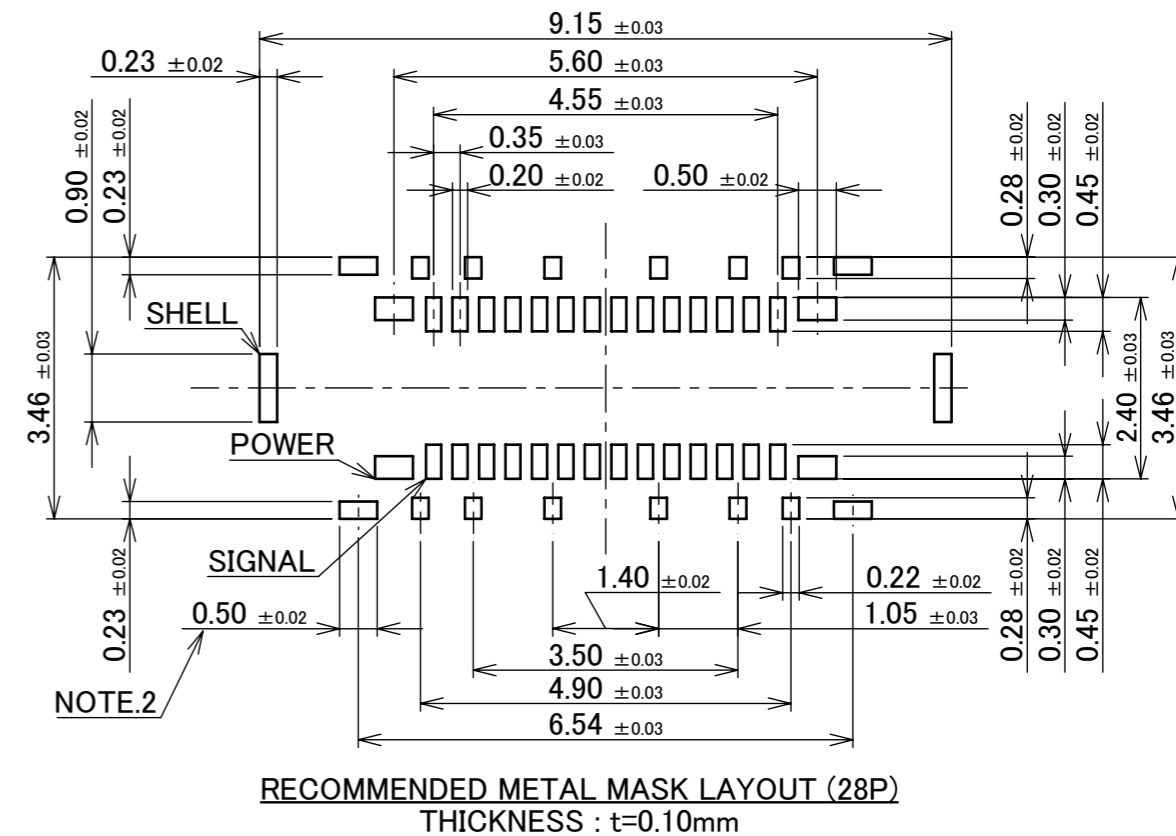
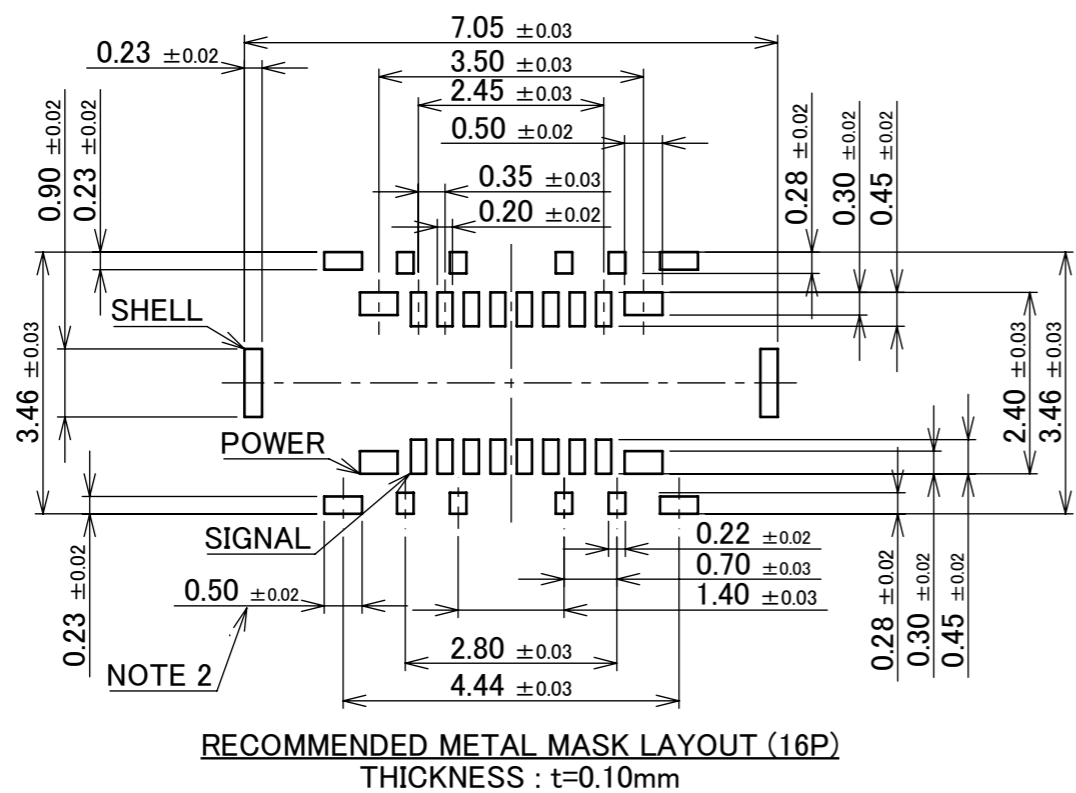
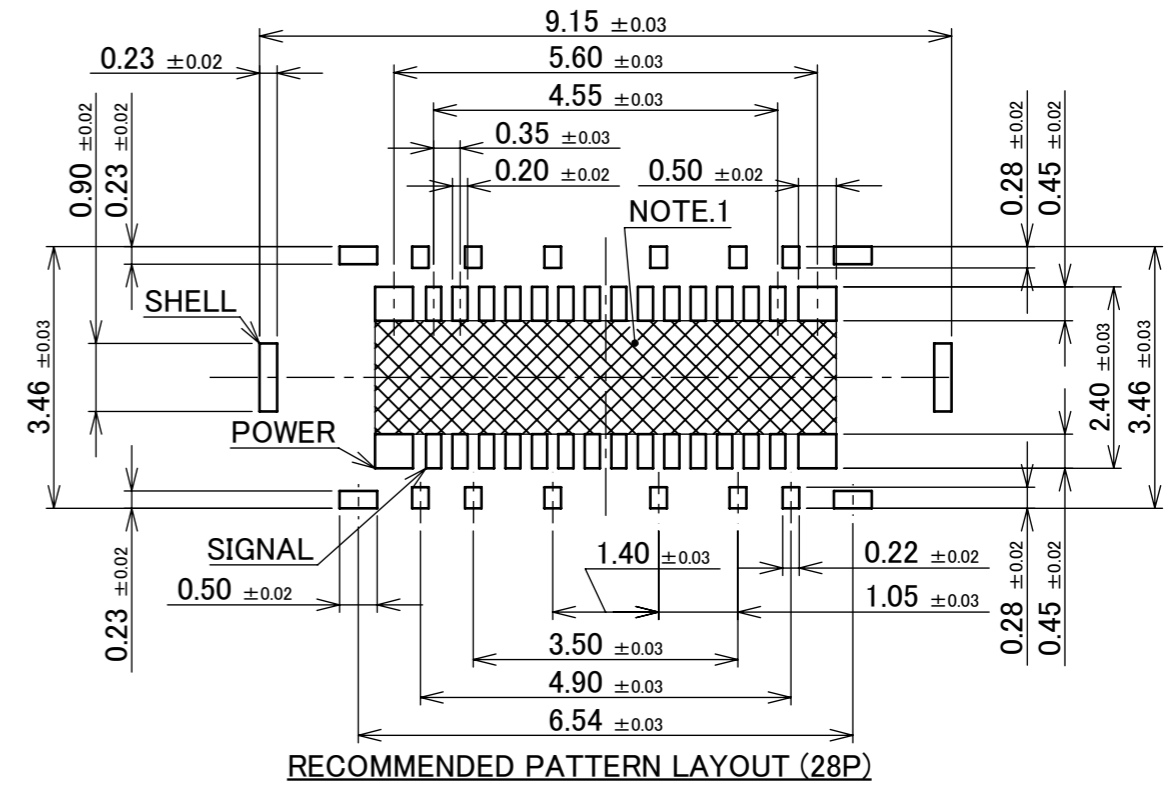
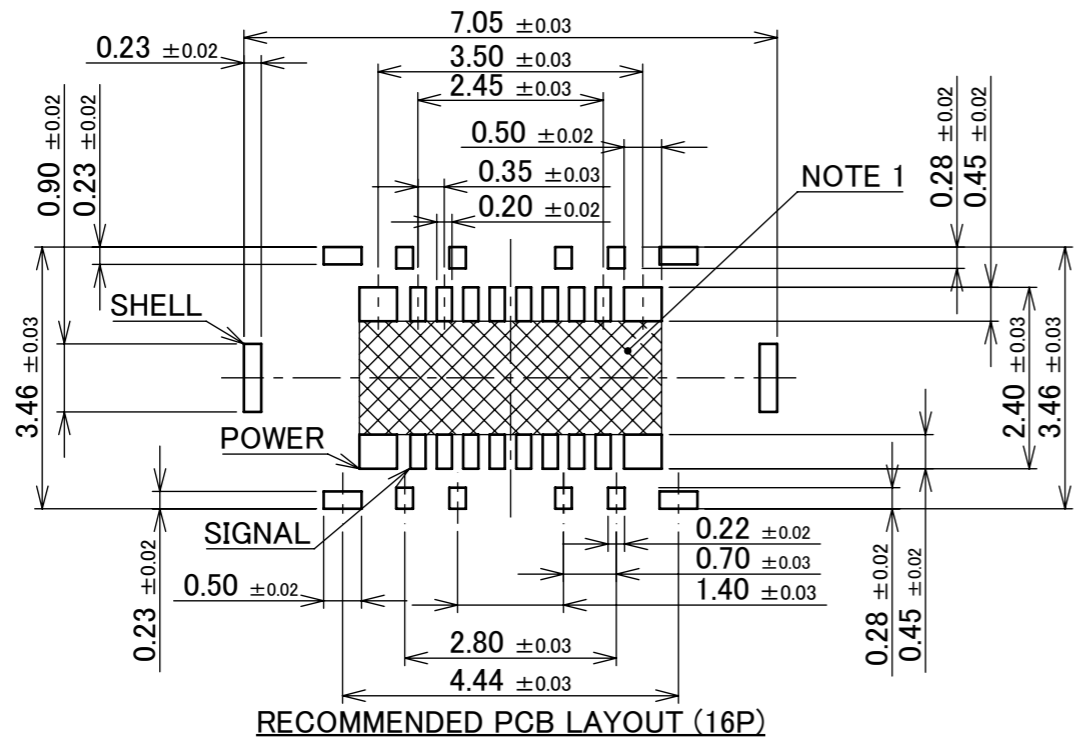
Pos.



ANGLE	±2°	6 OVER 30 MAX.	±0.3	PROJECTION ⊕	SERIES No. R2	CUSTOMER COPY		
6 MAX.	±0.2	30 OVER 120 MAX.	±0.5					
GENERAL TOLERANCE.				TITLE NOVASTACK® 35-HDP RECEPTACLE ASSEMBLY	SCALE	<b>I-PEX</b>		
DWG.	DATE				10:1			
CHK.					UNIT			
APP.					mm			
				DWG. No.	20698	SIZE	SHEET	REV.
						A3	2/9	11

ITEMS	SPECIFICATION
APPLICABLE CONNECTOR PART No.	20697-0**E-01*-*
RATING VOLTAGE	60V AC (PER CONTACT PIN)
RATING AMPERAGE (FOR SIGNAL CONTACT)	0.3A AC/DC (PER CONTACT PIN)/ 12.0A AC/DC(TOTAL)
RATING AMPERAGE (FOR POWER CONTACT)	2.2A AC/DC (PER CONTACT PIN)/ 8.8A AC/DC(TOTAL)
OPERATING TEMPERATURE	233~358K(-40°C~+85°C)
OPERATING HUMIDITY	85% MAX.(NON-CONDENSING)
CONTACT RESISTANCE (FOR SIGNAL CONTACT)	INITIAL : 40mohm MAX. / AFTER TEST : $\triangleleft$ 40mohm MAX.
CONTACT RESISTANCE (FOR POWER CONTACT)	INITIAL : 20mohm MAX. / AFTER TEST : $\triangleleft$ 20mohm MAX.
CONTACT RESISTANCE (FOR GROUND)	INITIAL : 20mohm MAX. / AFTER TEST : $\triangleleft$ 20mohm MAX.
INSULATION RESISTANCE	INITIAL : 1,000Mohm MIN. / AFTER TEST : 500Mohm MIN.
DIELECTRIC WITHSTANDING VOLTAGE	AC250V 1min
DURABILITY	30 CYCLES
MATING FORCE (INITIAL)	16P: 32.0N MAX. 28P: 32.0N MAX. 34P: 38.0N MAX. 42P: 46.0N MAX. 56P: 60.0N MAX. 62P: 66.0N MAX.
UNMATING FORCE (AFTER TEST)	16P: 3.2N MIN. 28P: 3.2N MIN. 34P: 3.8N MIN. 42P: 4.6N MIN. 56P: 6.0N MIN. 62P: 6.6N MIN.
COPLANARITY	0.08 MAX.
PRODUCT SPECIFICATION	PRS-2187
TEST REPORT	TR-16014
PACKING STANDARD	PST-15084 (10K/REEL) PST-16126 (5K/REEL)
INSTRUCTION MANUAL	HIM-15020
APPEARANCE CRITERIA No.	QLS-A***

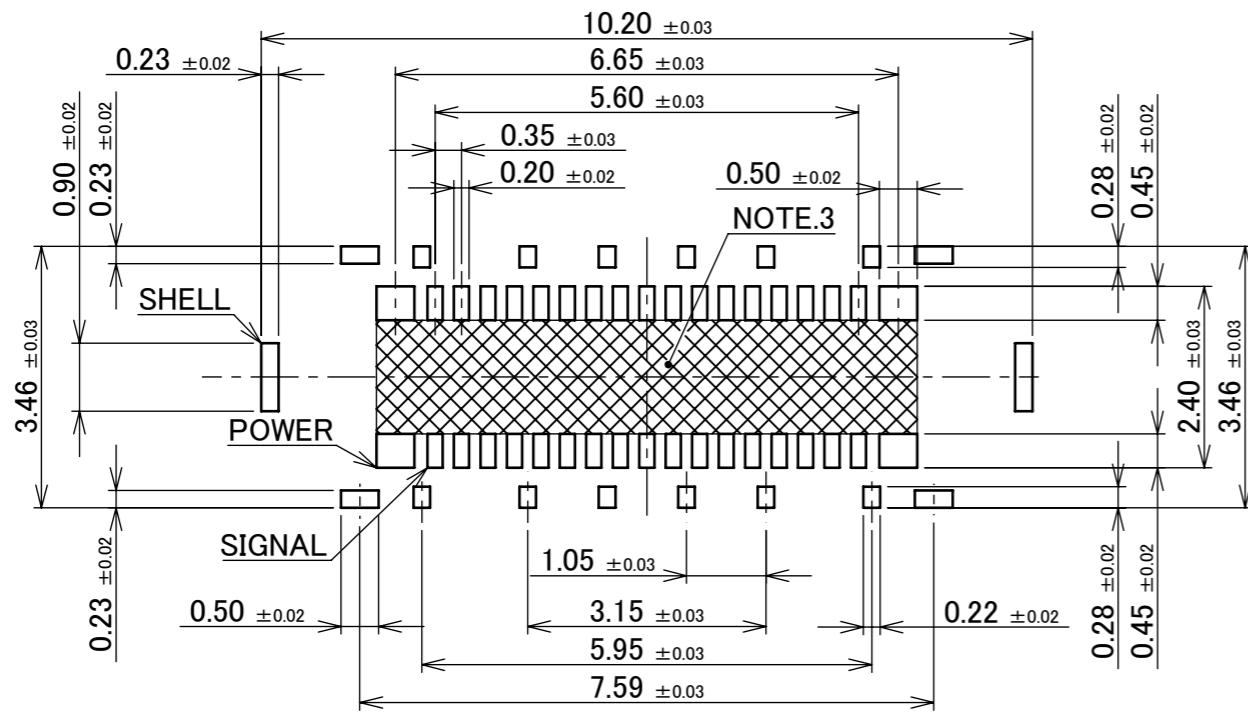
ANGLE	$\pm 2^\circ$	6 OVER 30 MAX.	$\pm 0.3$	PROJECTION 	SERIES No. R2	CUSTOMER COPY		
6 MAX.	$\pm 0.2$	30 OVER 120 MAX.	$\pm 0.5$					
GENERAL TOLERANCE.				TITLE NOVASTACK® 35-HDP RECEPTACLE ASSEMBLY	SCALE UNIT mm	<b>I-PEX</b>		
DWG.	DATE							
CHK.								
APP.								
				DWG. No.	20698	SIZE A3	SHEET 3/9	REV. 11



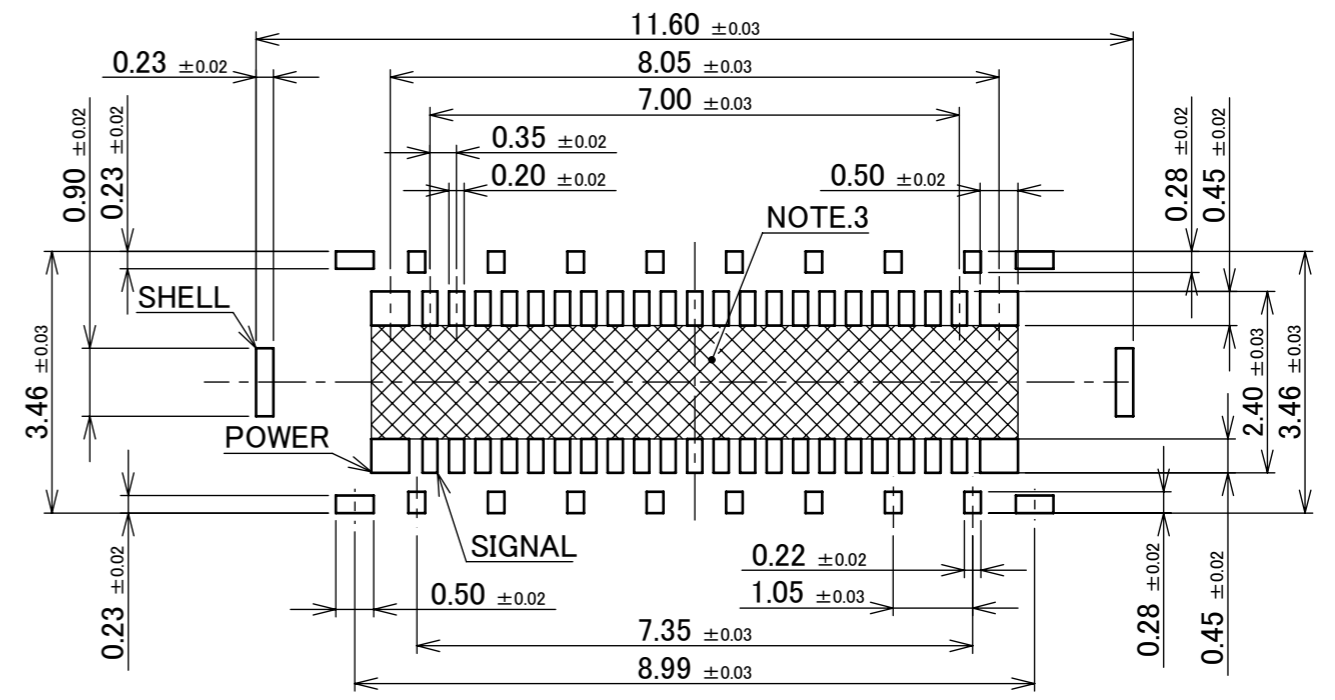
NOTES

1. SOLDER RESIST MUST BE APPLIED TO THIS AREA.
2. WHEN THE THICKNESS OF THE METAL MASK IS 0.12 mm, PLEASE SET IT TO 0.41 mm.

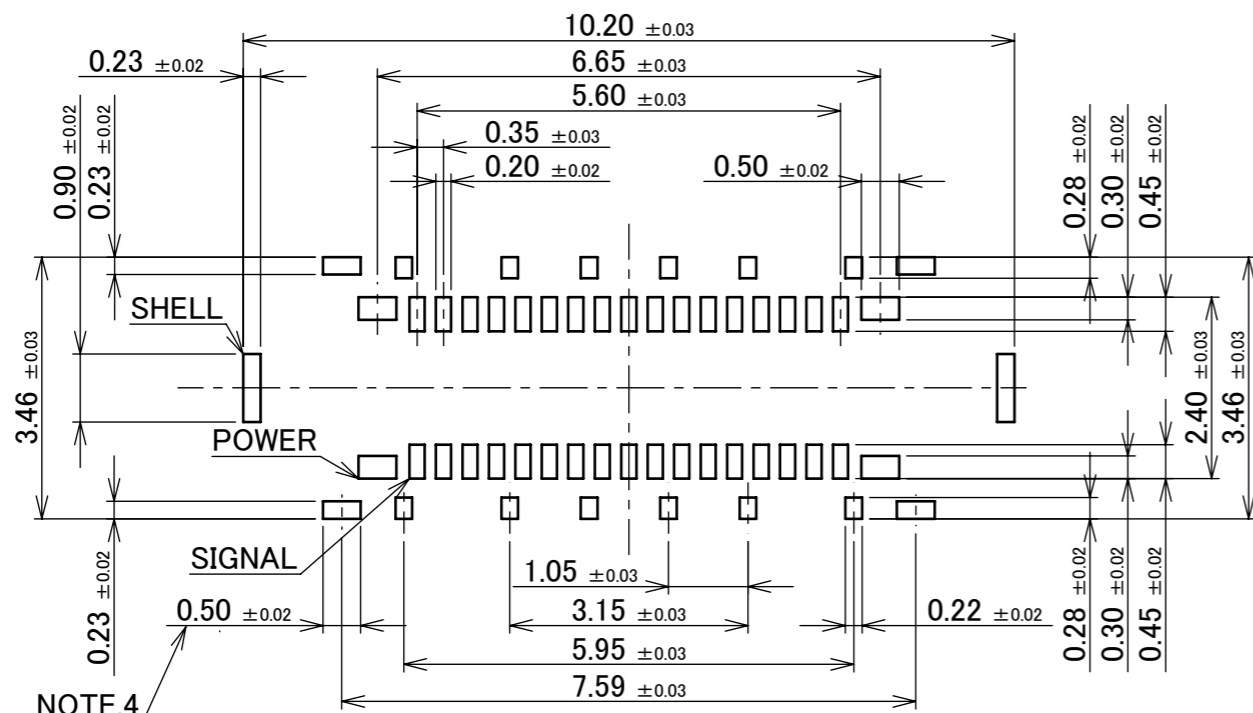
ANGLE	±2°	6 OVER 30 MAX.	±0.3	PROJECTION ⊕	SERIES No. R2	CUSTOMER COPY		
	6 MAX.	±0.2	30 OVER 120 MAX.					±0.5
GENERAL TOLERANCE.				TITLE		SCALE	I-PEX	
DWG.	DATE			NOVASTACK® 35-HDP RECEPTACLE ASSEMBLY		10:1		
CHK.						UNIT		
APP.				DWG. No. 20698		mm		
						SIZE	SHEET	REV.
						A3	4/9	11



RECOMMENDED PATTERN LAYOUT (34P)

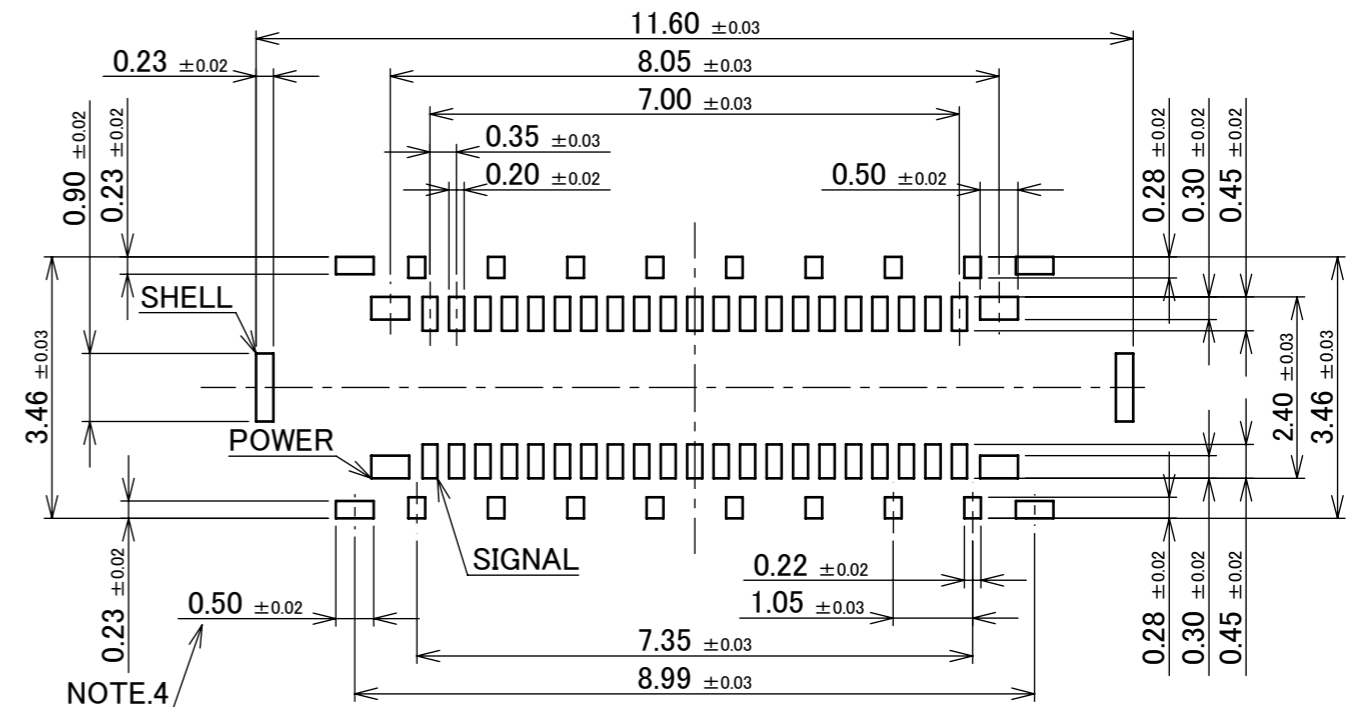


RECOMMENDED PATTERN LAYOUT (42P)



RECOMMENDED METAL MASK LAYOUT (34P)

THICKNESS : t=0.10mm



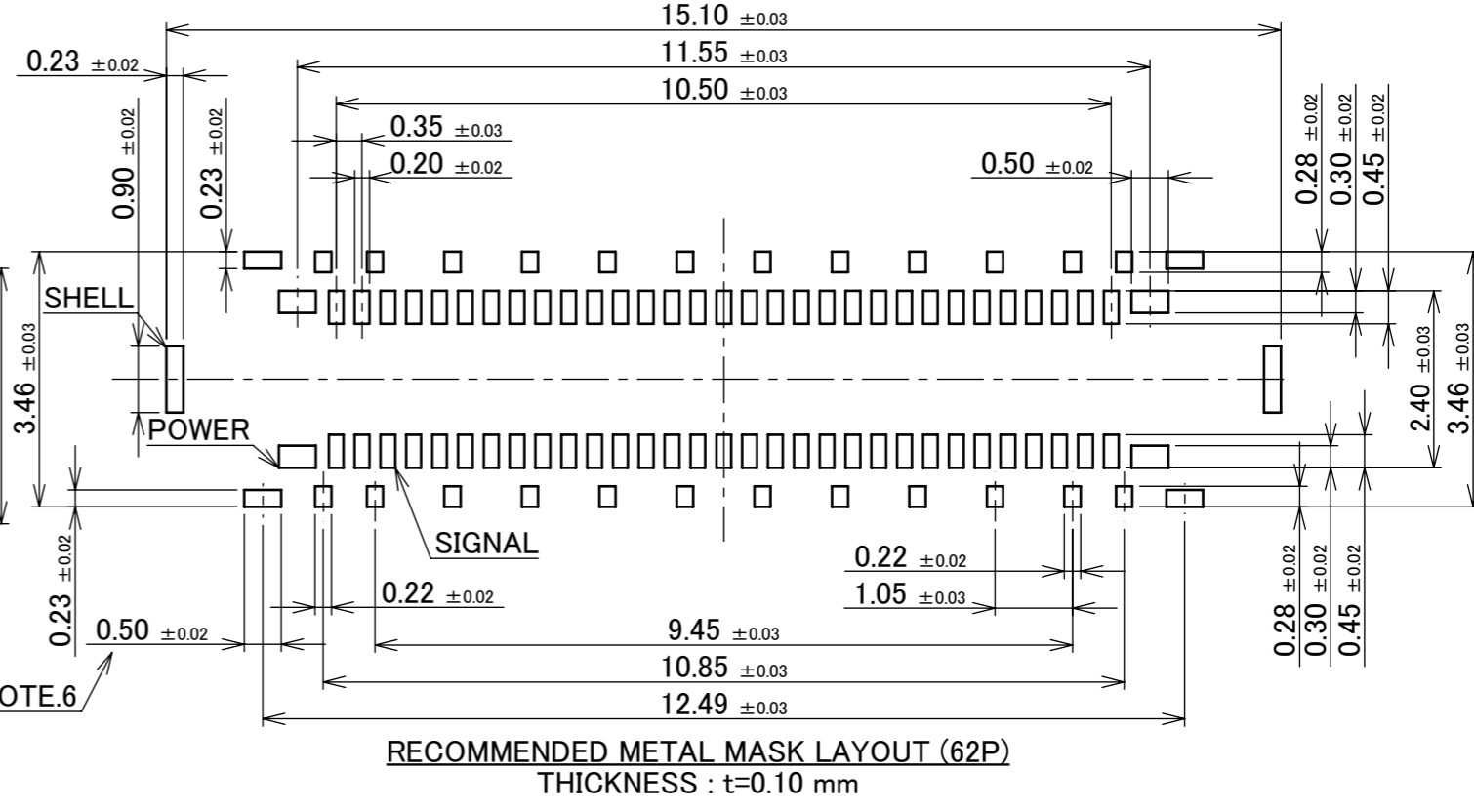
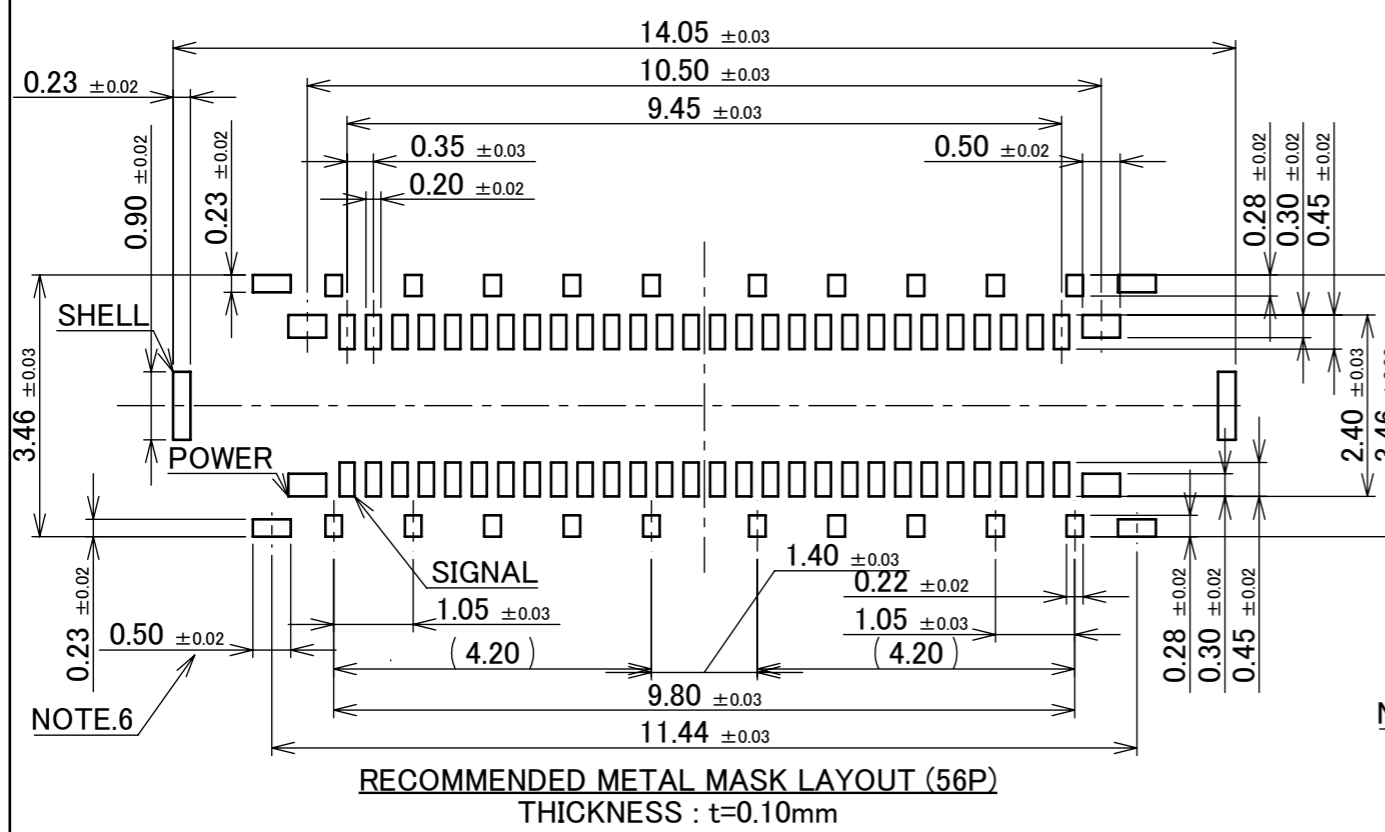
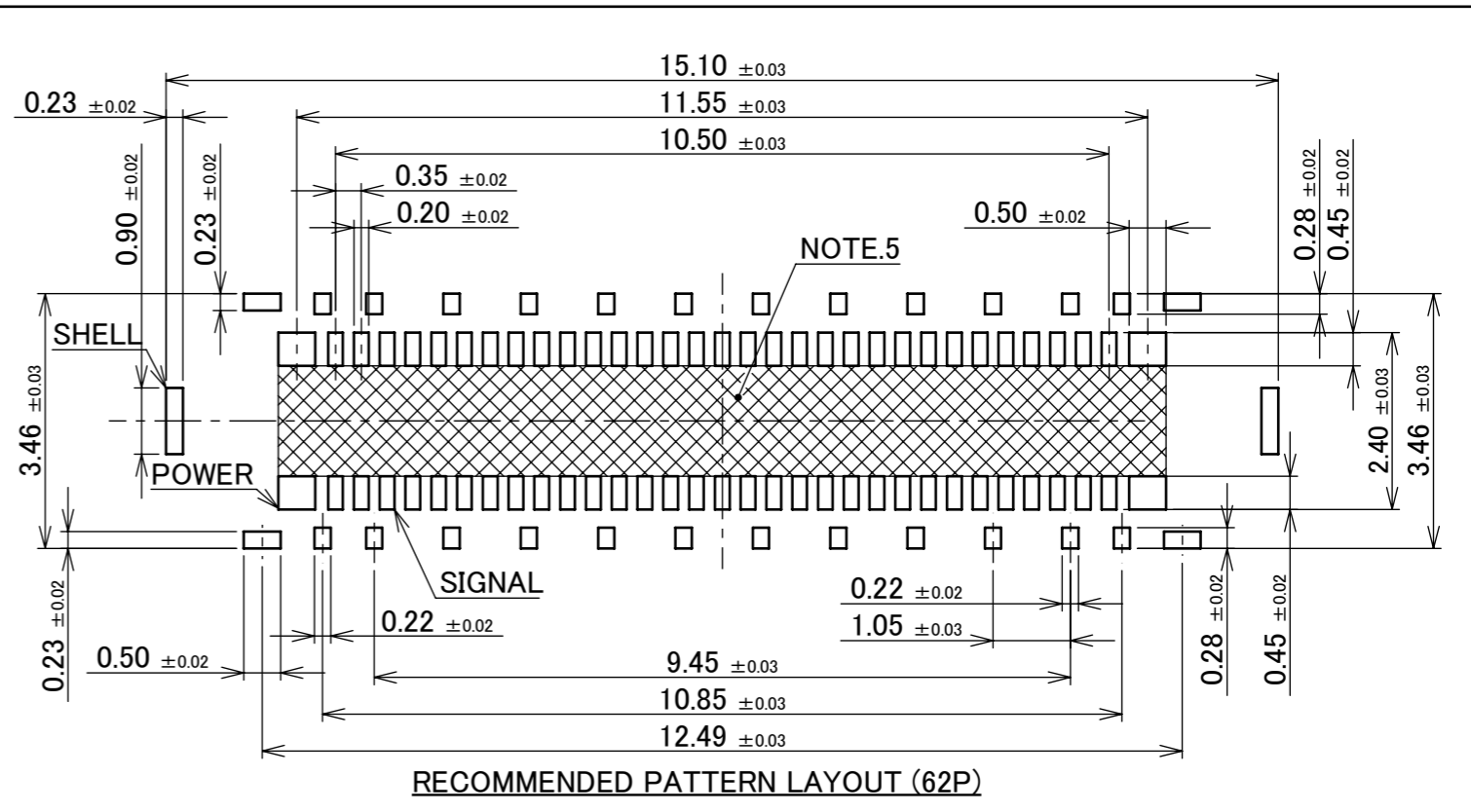
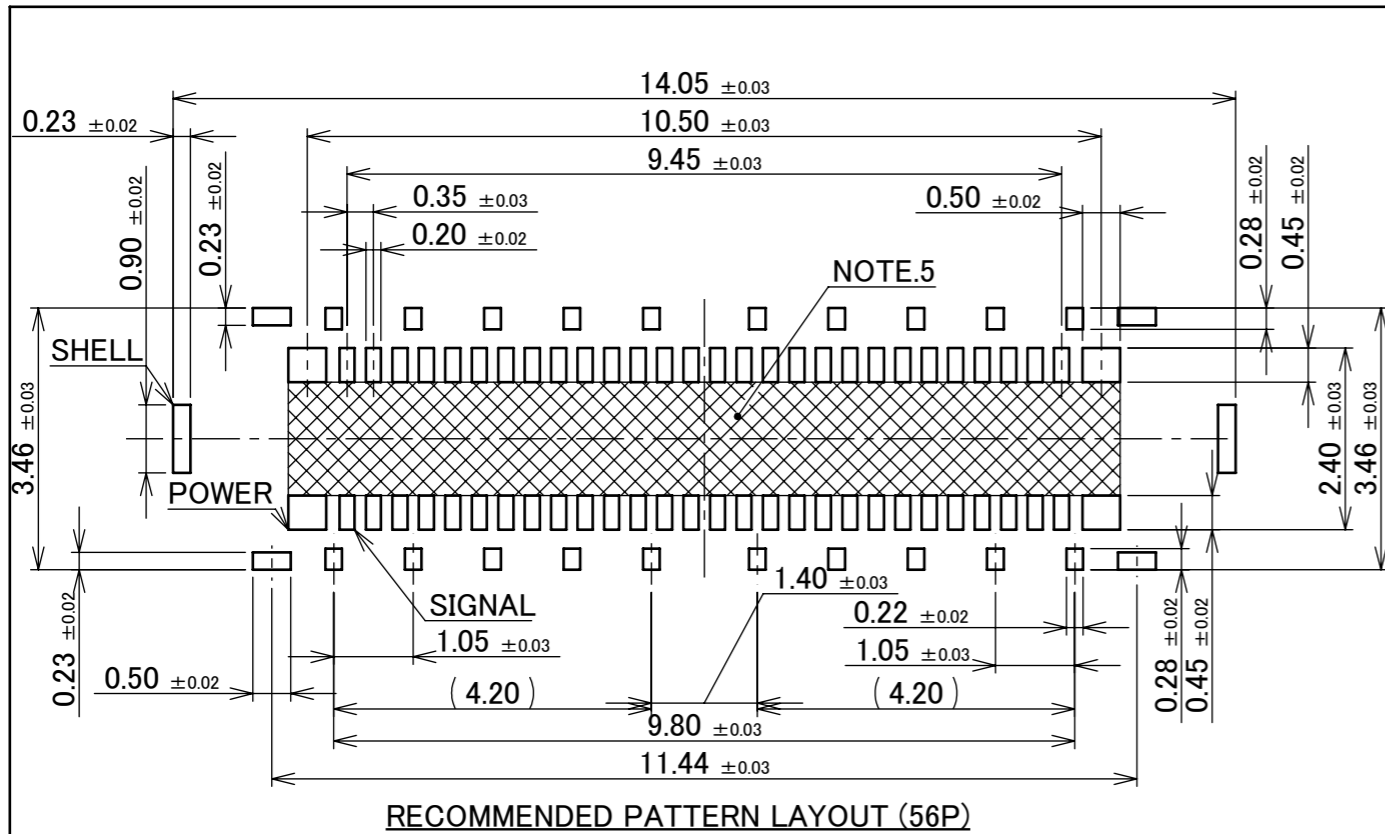
RECOMMENDED METAL MASK LAYOUT (42P)

THICKNESS : t=0.10mm

NOTES

- 3. SOLDER RESIST MUST BE APPLIED TO THIS AREA.
- 4. WHEN THE THICKNESS OF THE METAL MASK IS 0.12 mm, PLEASE SET IT TO 0.41 mm.

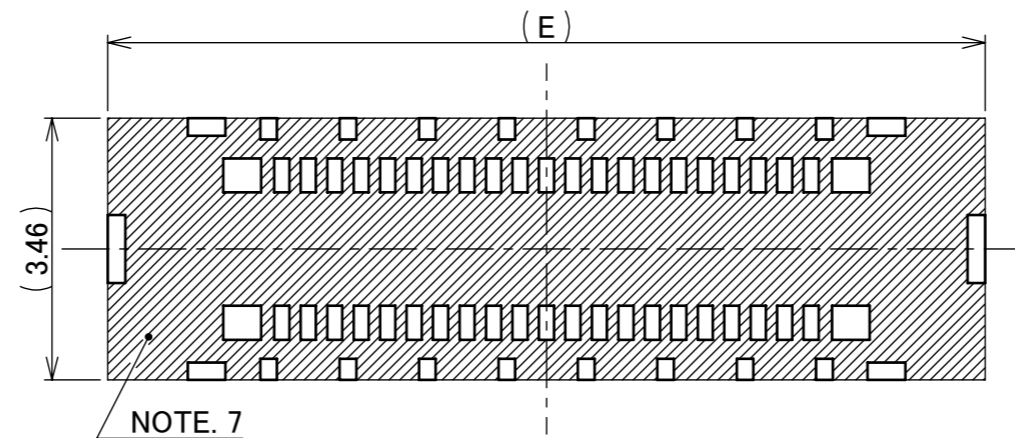
ANGLE	±2°	6 OVER 30 MAX.	±0.3	PROJECTION ⊕	SERIES No. R2	CUSTOMER COPY		
	6 MAX.	±0.2	30 OVER 120 MAX.					±0.5
GENERAL TOLERANCE.				TITLE		SCALE	I-PEX	
DWG.	DATE			NOVASTACK® 35-HDP RECEPTACLE ASSEMBLY		10:1		
CHK.						UNIT		
APP.				DWG. No. 20698		mm		
						SIZE	SHEET	REV.
						A3	5/9	11



**NOTES**  
 5. SOLDER RESIST MUST BE APPLIED TO THIS AREA.  
 6. WHEN THE THICKNESS OF THE METAL MASK IS 0.12 mm, PLEASE SET IT TO 0.41 mm.

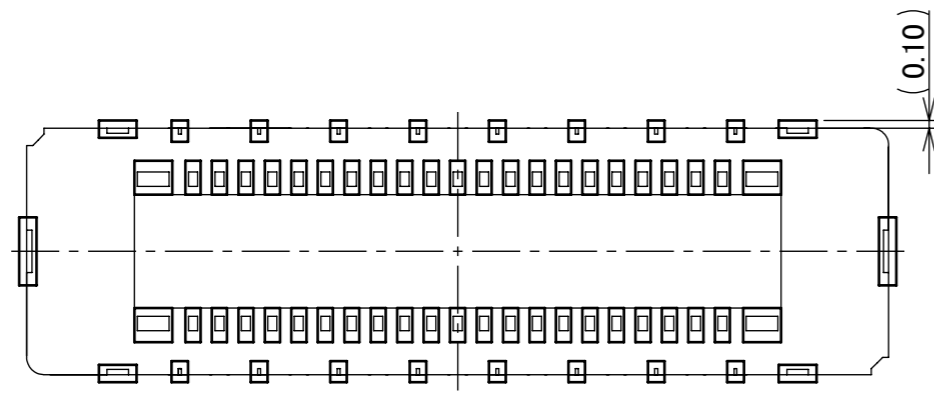
ANGLE	±2°	6 OVER 30 MAX.	±0.3	PROJECTION 	SERIES No. R2	CUSTOMER COPY		
	6 MAX.	±0.2	30 OVER 120 MAX.					±0.5
GENERAL TOLERANCE.				TITLE NOVASTACK® 35-HDP RECEPTACLE ASSEMBLY	SCALE 10:1	UNIT <b>I-PEX</b>		
DWG.	DATE							
CHK.								
APP.								
				DWG. No.	20698	SIZE A3	SHEET 6/9	REV. 11

PART No.	SIGNAL POS.	POWER POS.	E
20698-016E-01	16P	4P	7.05
20698-028E-01	28P	4P	9.15
20698-034E-01	34P	4P	10.20
20698-042E-01#	42P	4P	11.60
20698-056E-01#	56P	4P	14.05
20698-062E-01#	62P	4P	15.10

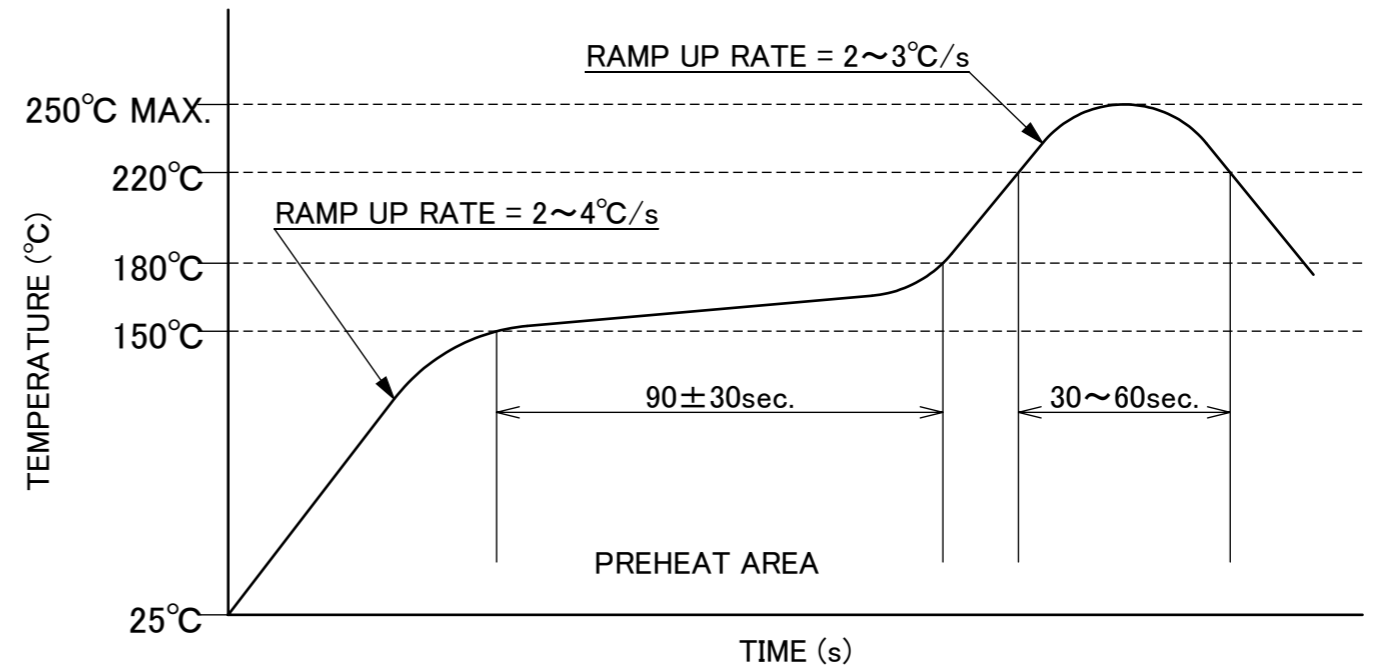


NOTES  
7. DO NOT MOUNT ANOTHER COMPONENT IN THIS AREA.

ANGLE	$\pm 2^\circ$	6 OVER 30 MAX.	$\pm 0.3$	PROJECTION 	SERIES No. R2	CUSTOMER COPY				
6 MAX.	$\pm 0.2$	30 OVER 120 MAX.	$\pm 0.5$							
GENERAL TOLERANCE.				TITLE NOVASTACK® 35-HDP RECEPTACLE ASSEMBLY	SCALE 10:1	<b>I-PEX</b>				
DWG.	DATE							UNIT mm		
CHK.								SIZE A3	SHEET 7/9	REV. 11
APP.								DWG. No. 20698		



CONNECTOR ON RECOMMENDED FOOTPRINT PATTERN

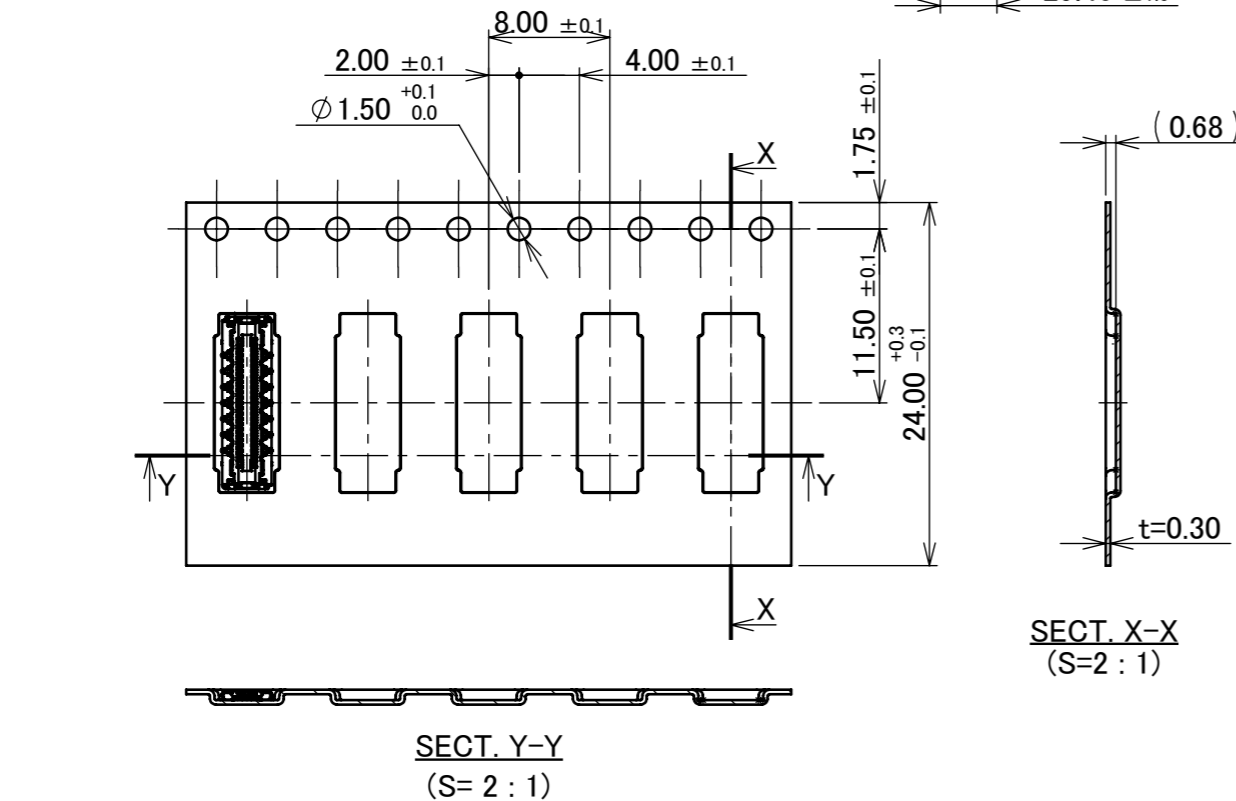
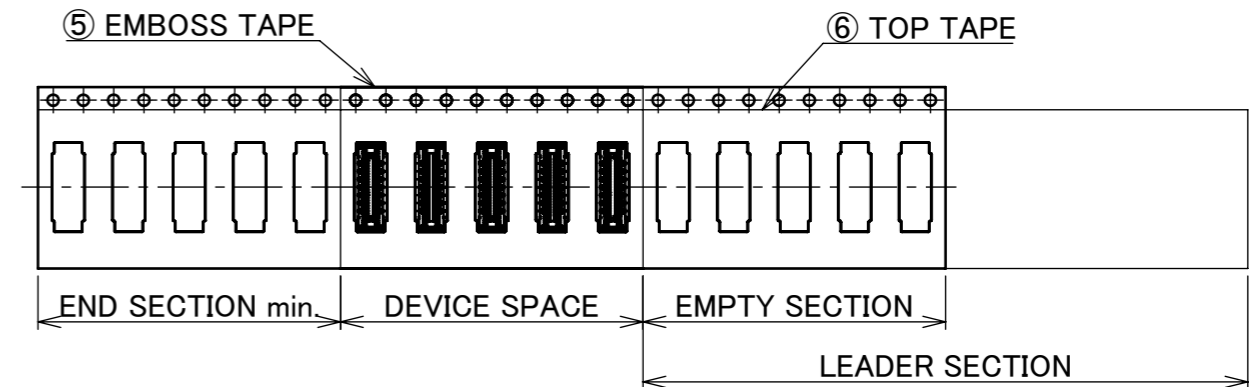
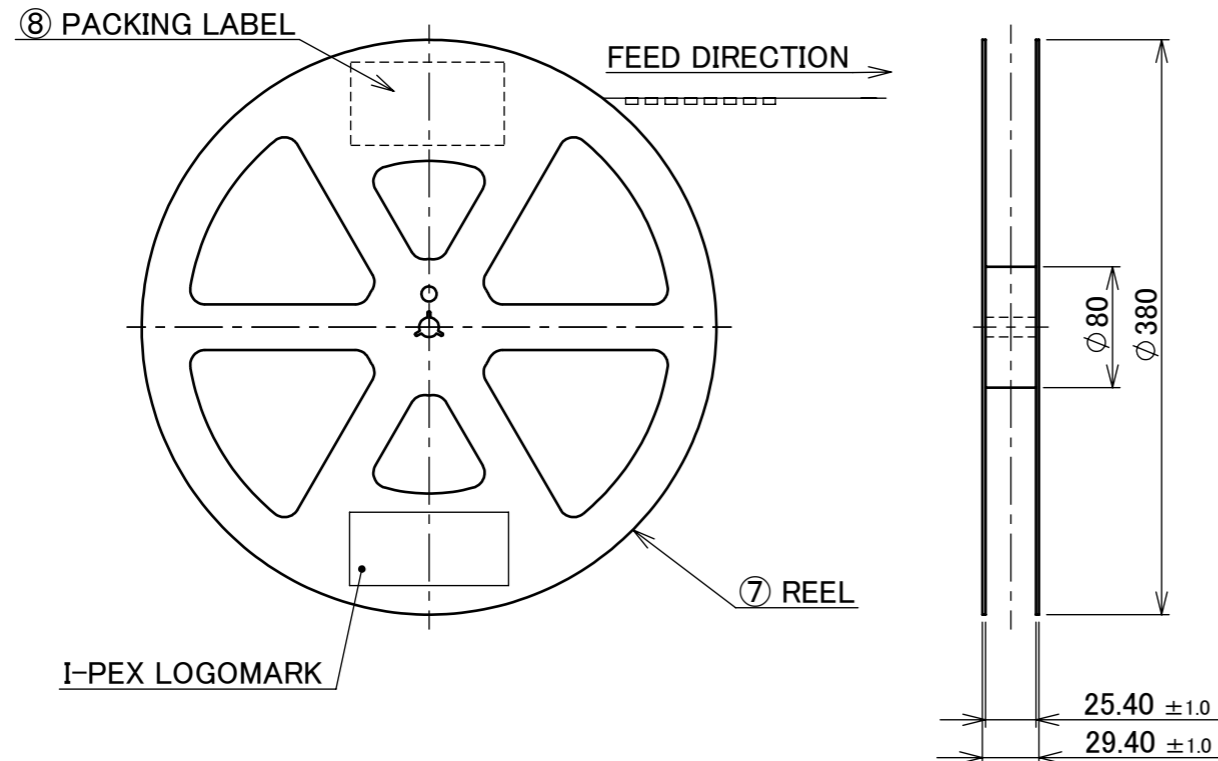


REFLOW TEMPERATURE PROFILE  
 SENJU METAL INDUSTRY CO., LTD. : M705-SHF(Sn96.5 Ag3.0 Cu0.5)

ANGLE	±2°	6 OVER 30 MAX.	±0.3	PROJECTION 	SERIES No. R2	CUSTOMER COPY		
6 MAX.	±0.2	30 OVER 120 MAX.	±0.5					
GENERAL TOLERANCE.				TITLE NOVASTACK® 35-HDP RECEPTACLE ASSEMBLY	SCALE 10:1	UNIT <b>I-PEX</b>		
DWG.	DATE							
CHK.								
APP.								
				DWG. No.	20698	SIZE A3	SHEET 8/9	REV. 11



PART NO.	Pos.	QTY. PER EMBOSS REEL (PIECES / REEL)	QTY. PER PACKING CARTON
20698-0**E-01	16P	10,000 / REEL	10,000 × 5 REELS = 50,000
	28P		
	34P		
	42P		
	56P		
	62P		
20698-0**E-01M	42P	5,000 / REEL	5,000 × 5 REELS = 25,000
	56P		
	62P		



**NOTES**

8. TAPING SPECIFICATION FOLLOWS JIS C 0806 (IEC 60286-3).
9. MAKE EMPTY SECTION OF LEADER AND END ON EACH END OF THE TAPE.
10. TOP TAPE SHALL NOT STICK OUT FROM EMBOSS TAPE.
11. TOP TAPE SHALL NOT COVER FEED HOLE.

NO.	DESCRIPTION	MATERIAL	FINISH , REMARKS
8	PACKING LABEL	-	-
7	REEL	PS	ANTI-STATIC TYPE BLACK
6	TOP TAPE	PET t=0.062 TRANSPARENCY	ANTI-STATIC TYPE
5	EMBASS TAPE	PS TRANSPARENCY	ANTI-STATIC TYPE

ANGLE	±2°	6 OVER 30 MAX.	±0.3	PROJECTION	SERIES No.	CUSTOMER COPY						
6 MAX.	±0.2	30 OVER 120 MAX.	±0.5		R2	<div style="display: flex; align-items: center;"> <div style="margin-right: 10px;"> <p>NOVASTACK® 35-HDP RECEPTACLE ASSEMBLY</p> </div> <div style="text-align: center;"> <p>SCALE X:1 UNIT mm</p> </div> <div style="font-size: 2em; font-weight: bold;">I-PEX</div> </div>						
GENERAL TOLERANCE.				TITLE					SIZE		SHEET	REV.
DWG.	DATE			DWG. No.					A3	9/9		
CHK.				20698								
APP.												