

Recommended P/N 21004-0**E

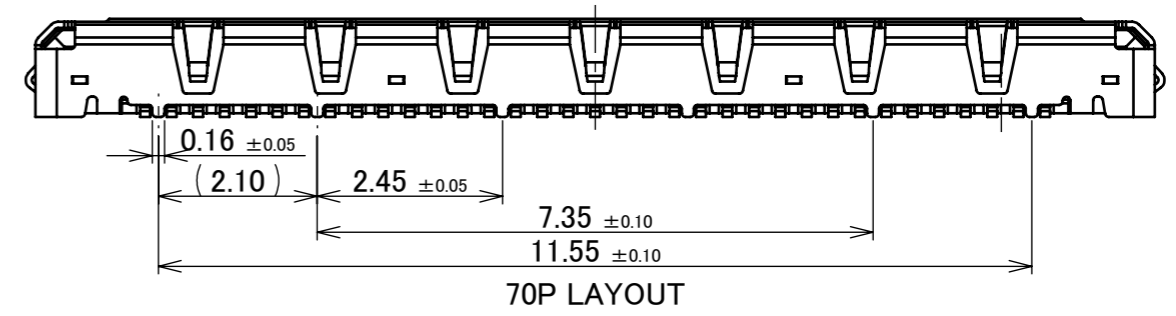
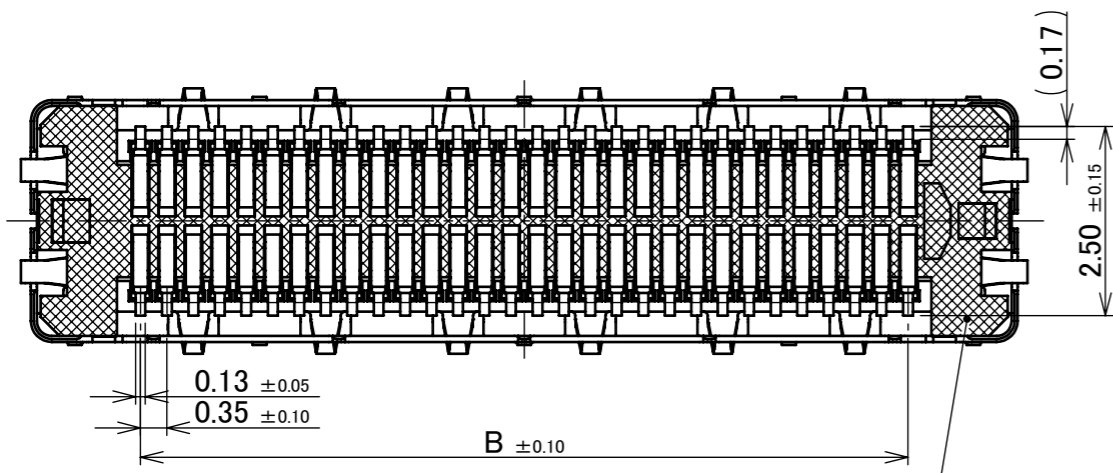
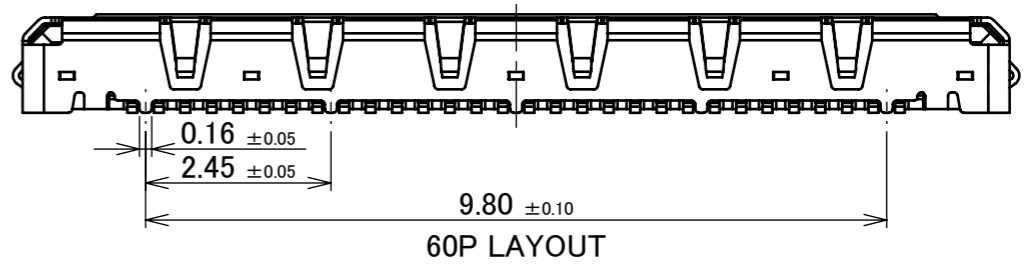
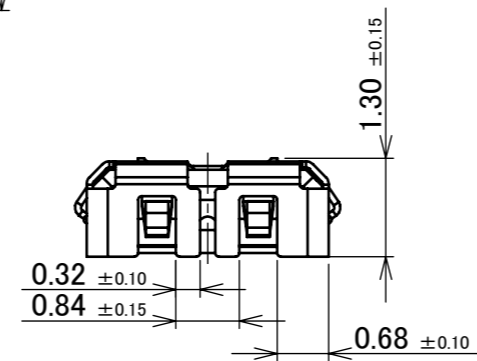
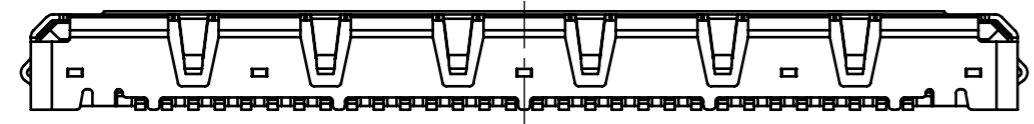
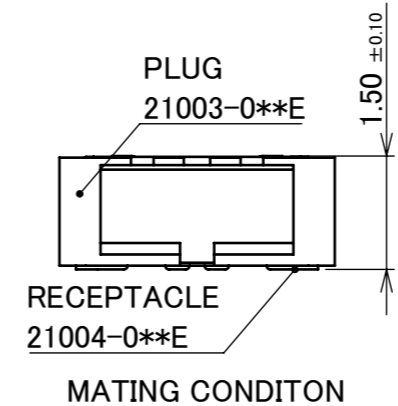
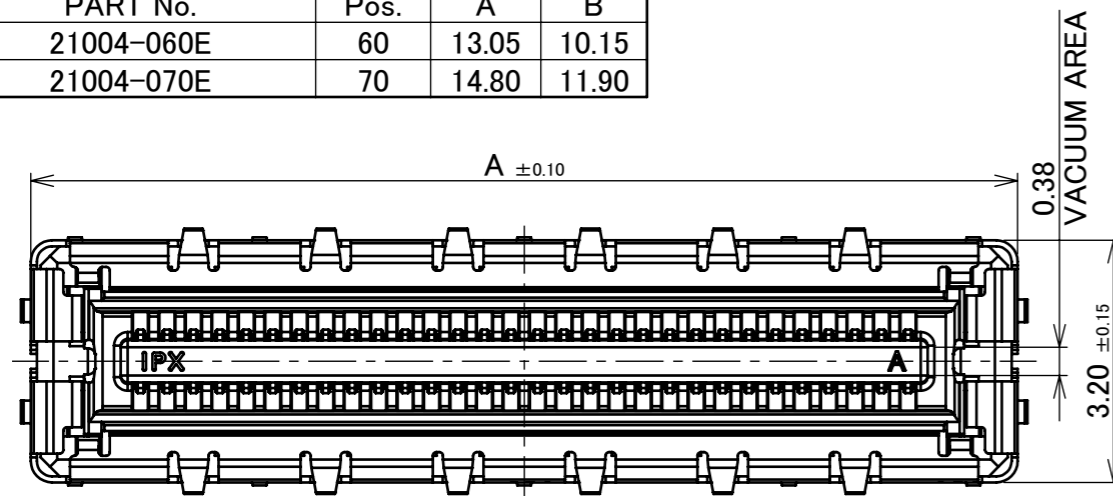
PART No.	Pos.	A	B
21004-060E	60	13.05	10.15
21004-070E	70	11.90	



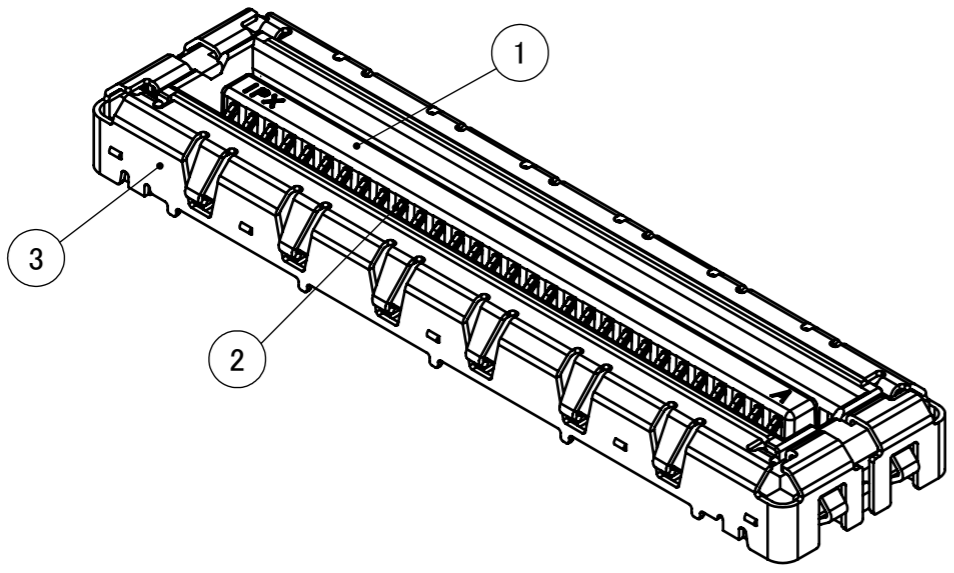
Halogen Free



RoHS Compliant



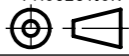
THERE IS A POSSIBILITY OF DENT SHAPE IN THE BOTTOM SURFACE OF HOUSING.



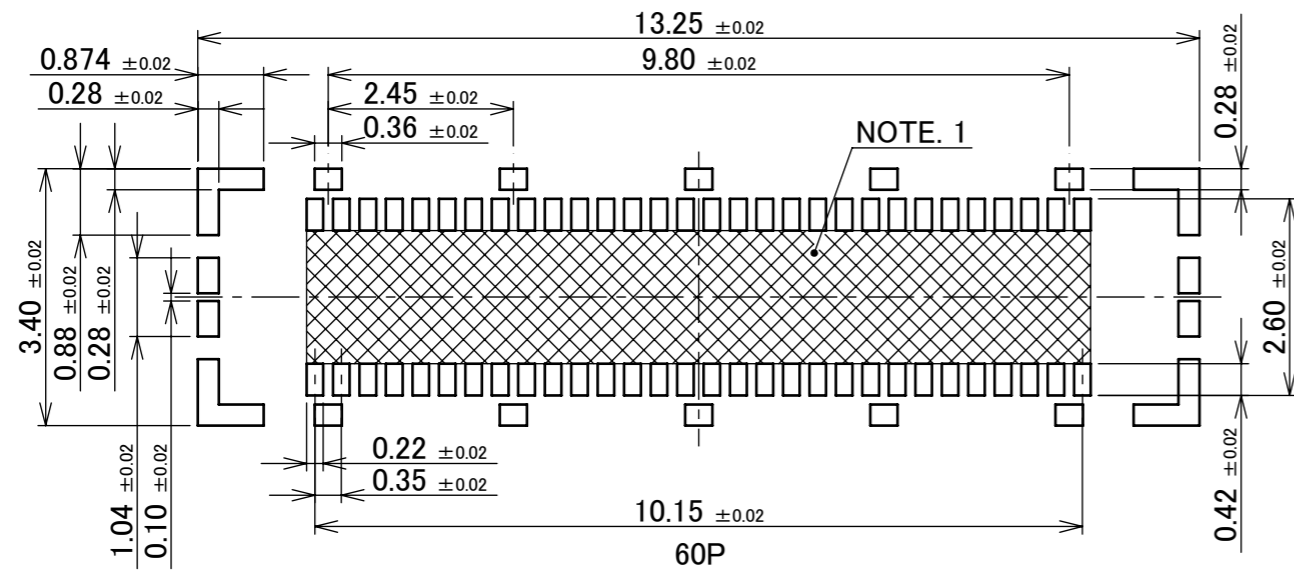
NO.	DESCRIPTION	MATERIAL	FINISH , REMARKS
3	SHELL	CORSON ALLOY	ALL Au 0.01 μm MIN. OVER Ni 1.27 μm MIN.
2	CONTACT	CORSON ALLOY	CONTACT AREA: Au 0.13 μm MIN. OVER Ni 1.27 μm MIN. SOLDERING AREA: Au 0.02 μm MIN. OVER Ni 1.27 μm MIN.
1	HOUSING	LCP	UL94V-0 BLACK

REV.	ECN	BY	DATE	APP.	DESCRIPTION	APPROVAL	DATE	PROJECTION	SERIES No.	CUSTOMER COPY
2	Z240582	Y.B	2024/05/14	S.S	DWG.	M.Hidaka	2022/07/06	6 MAX. ±0.2	R5	NOVASTACK® 35-HDH RECEPTACLE ASSEMBLY SCALE 10:1 UNIT mm SHEET 1/5 REV. 2
1	Z230807	Y.B	2023/07/12	Y.H	CHK.	S.Suzuki		6 OVER 30 MAX. ±0.3		
0	Z220773	M.H	2022/07/06		APP.	Y.Hashimoto		30 OVER 120 MAX. ±0.5		
REVISION RECORD								GENERAL TOLERANCE.		

ITEMS	SPECIFICATION
APPLICABLE CONNECTOR PART No.	21003-0**E
RATING VOLTAGE	60V AC (R.M.S.)/DC (PER CONTACT PIN)
RATING AMPERAGE (FOR SIGNAL CONTACT)	0.5A AC/DC (PER CONTACT PIN)/ 12.0A AC/DC(TOTAL)
OPERATING TEMPERATURE	233~358K(-40°C~+85°C) (CONTANING TEMPERATURE RISE BY CURRENT)
OPERATING HUMIDITY	85% MAX.
CONTACT RESISTANCE (FOR SIGNAL CONTACT)	INITIAL : 50mohm MAX. / AFTER TEST : Δ 50mohm MAX.
CONTACT RESISTANCE (FOR GROUND)	INITIAL : 20mohm MAX. / AFTER TEST : Δ 20mohm MAX.
INSULATION RESISTANCE	INITIAL : 1000Mohm MIN. / AFTER TEST : 500Mohm MIN.
DIELECTRIC WITHSTANDING VOLTAGE	AC250V 1min
DURABILITY	20 CYCLES
MATING FORCE (INITIAL / AFTER TEST)	INITIAL 60P: 60N MAX. 70P: 70N MAX.
UNMATING FORCE (INITIAL / AFTER TEST)	20 CYCLES 60P: 6.0N MIN. 70P: 7.0N MIN.
COPLANARITY	0.10mm MAX.
PRODUCT SPECIFICATION	PRS-2785
TEST REPORT	TR-22021
PACKING STANDARD	PST-21087
INSTRUCTION MANUAL	HIM-21015
APPEARANCE CRITERIA No.	QLS-A***

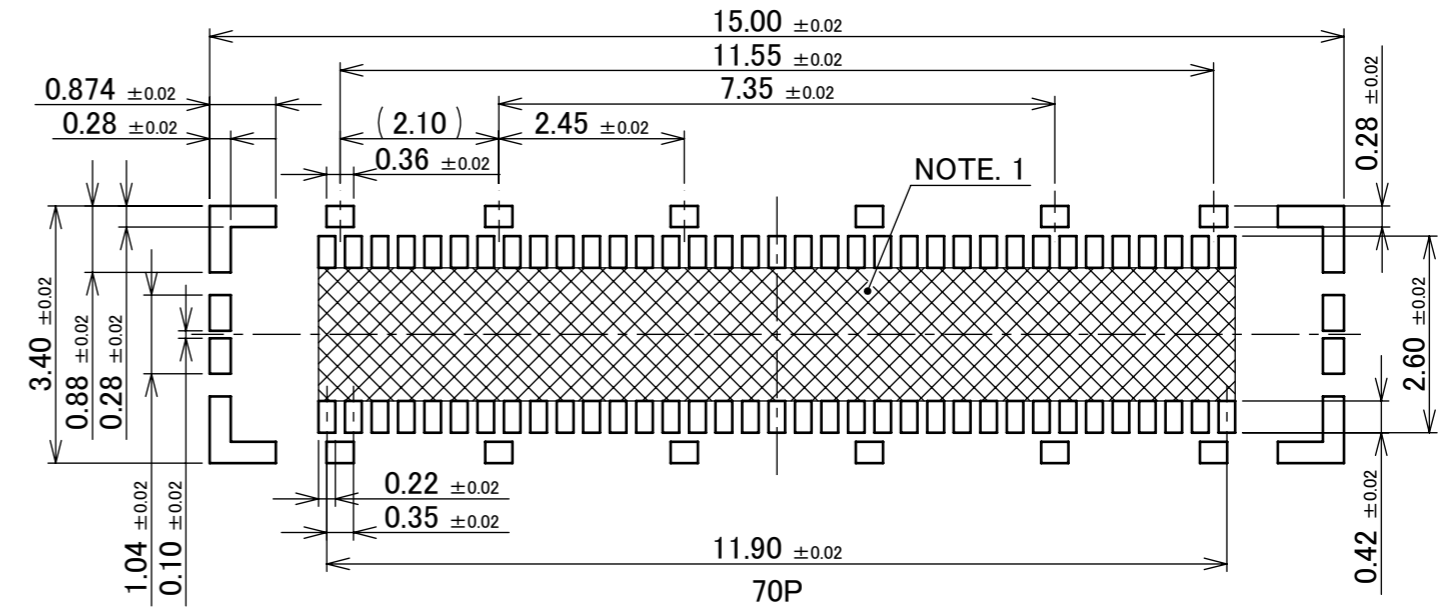
ANGLE	$\pm 2^\circ$	6 OVER 30 MAX.	± 0.3	PROJECTION 	SERIES No. R5	CUSTOMER COPY	
6 MAX.	± 0.2	30 OVER 120 MAX.	± 0.5				
GENERAL TOLERANCE.				TITLE NOVASTACK® 35-HDH RECEPTACLE ASSEMBLY	SCALE	I-PEX	
DWG.	DATE						
CHK.							
APP.							
DWG. No.	21004			UNIT mm	SIZE A3	SHEET 2/5	REV. 2

RECOMMENDED PATTERN LAYOUT

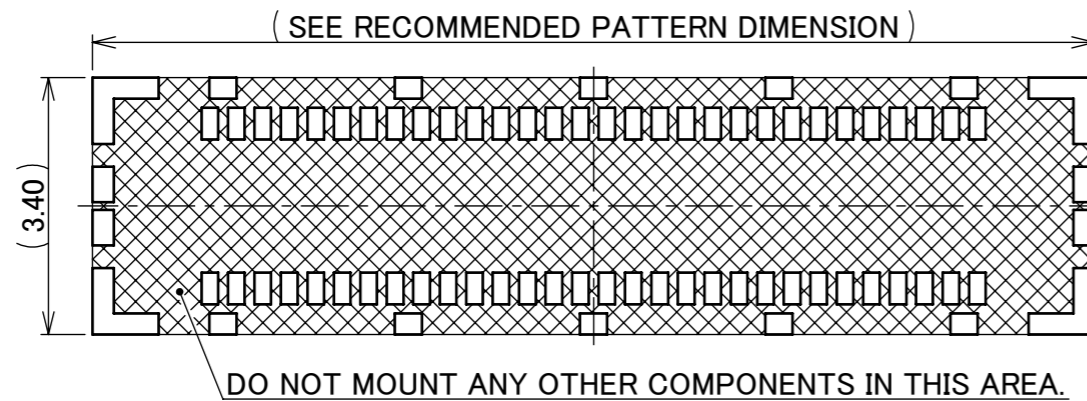
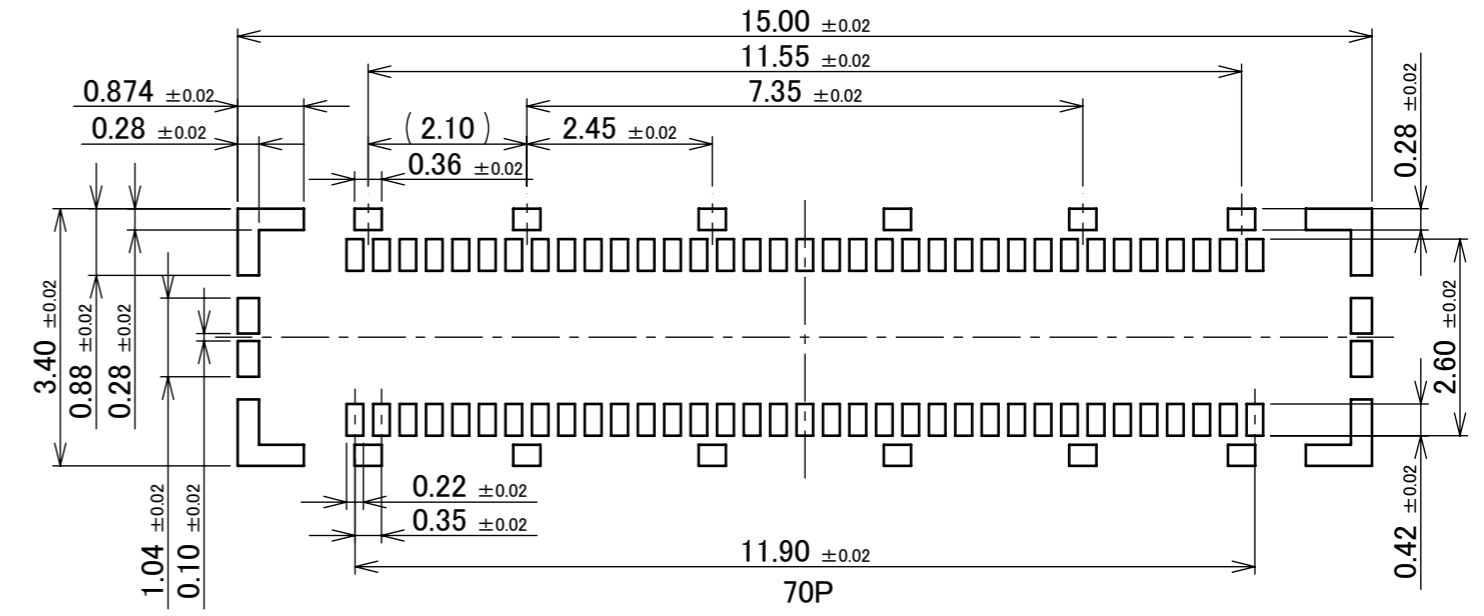
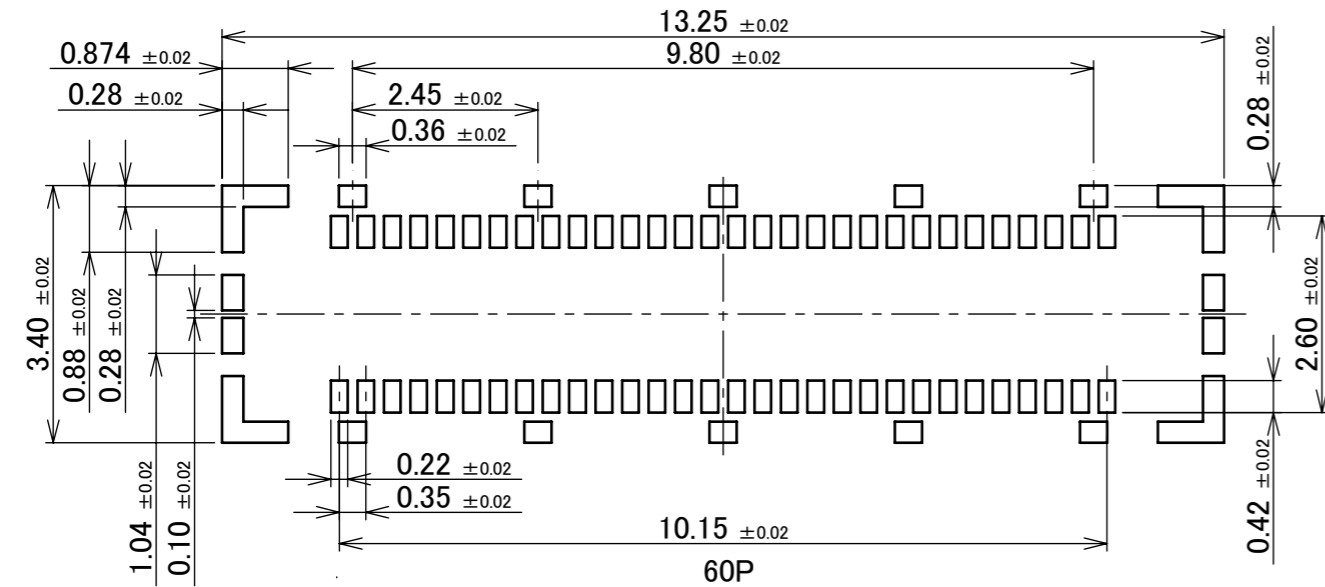


NOTES.

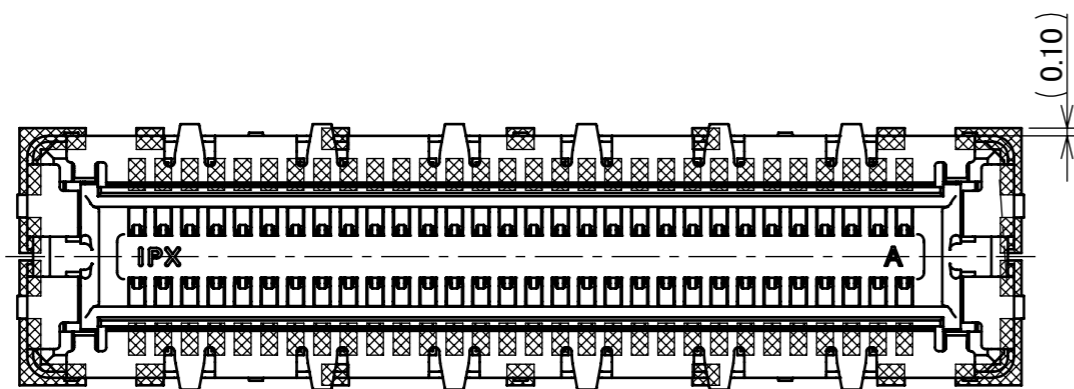
1. FOOT PRINT PATTERN PROHIBITION AREA
SOLDER RESIST MUST BE APPLIED TO THIS HATCHED AREA IF SURFACE TRACES ARE ROUNDED.



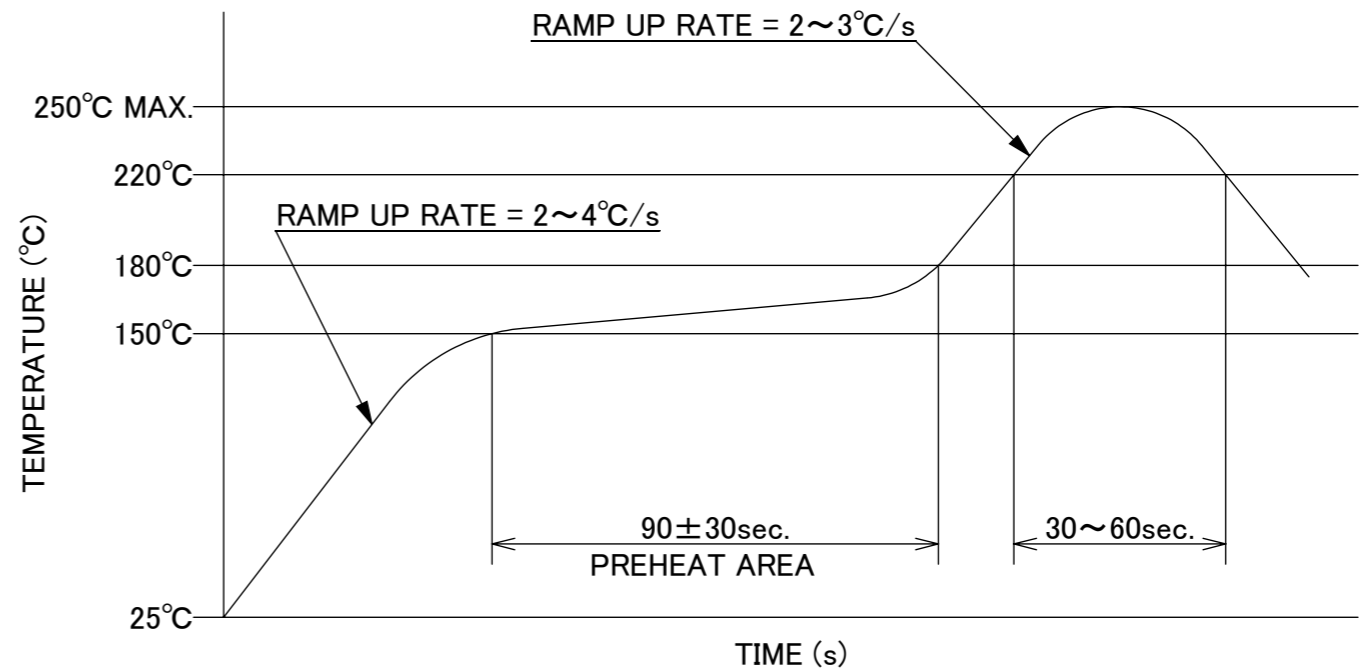
RECOMMENDED METAL MASK LAYOUT (t=0.10)



ANGLE	±2°	6 OVER 30 MAX.	±0.3	PROJECTION ⊕	SERIES No. R5	CUSTOMER COPY		
	6 MAX.	±0.2	30 OVER 120 MAX.			±0.5	SCALE 10:1	I-PEX
GENERAL TOLERANCE.				TITLE NOVASTACK® 35-HDH RECEPTACLE ASSEMBLY		UNIT mm		
DWG.	DATE			DWG. No. 21004		SIZE A3	SHEET 3/5	REV. 2



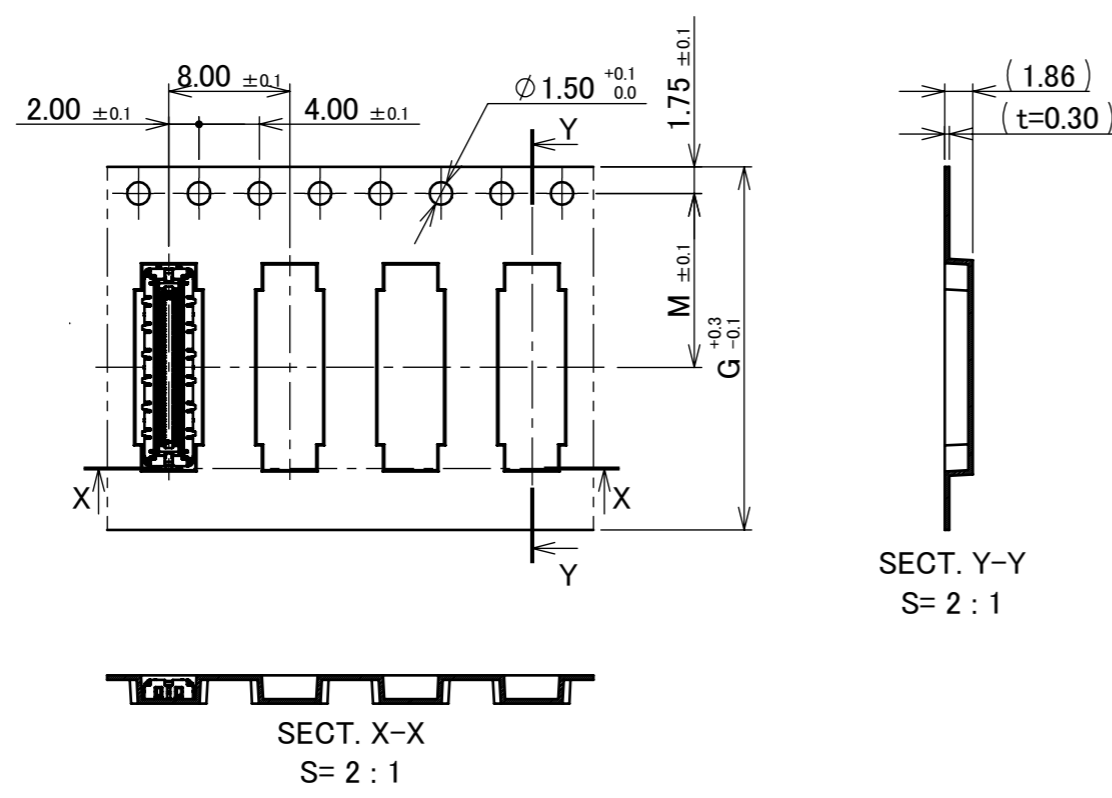
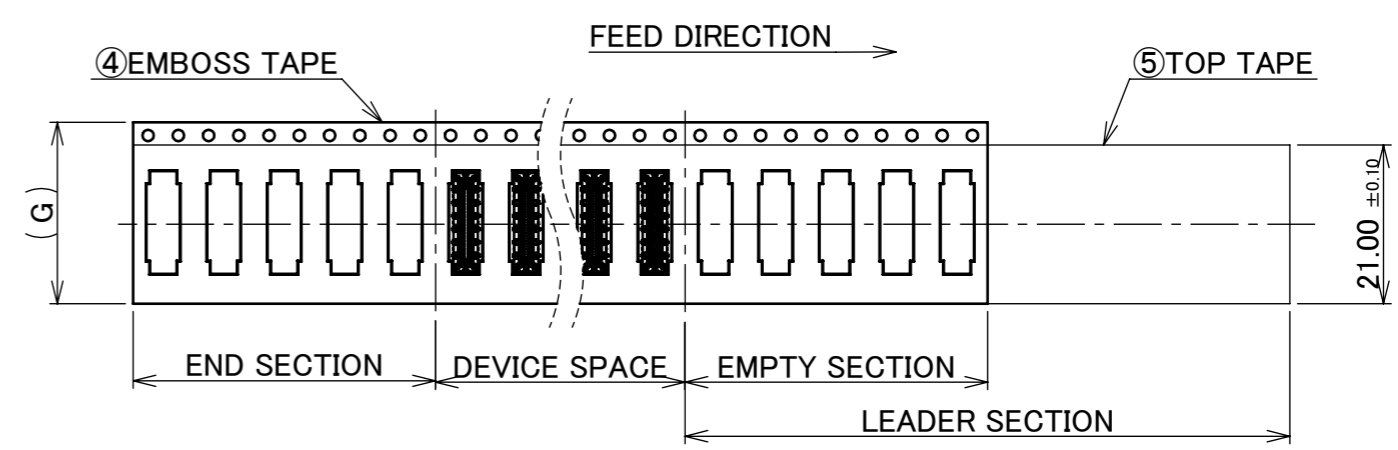
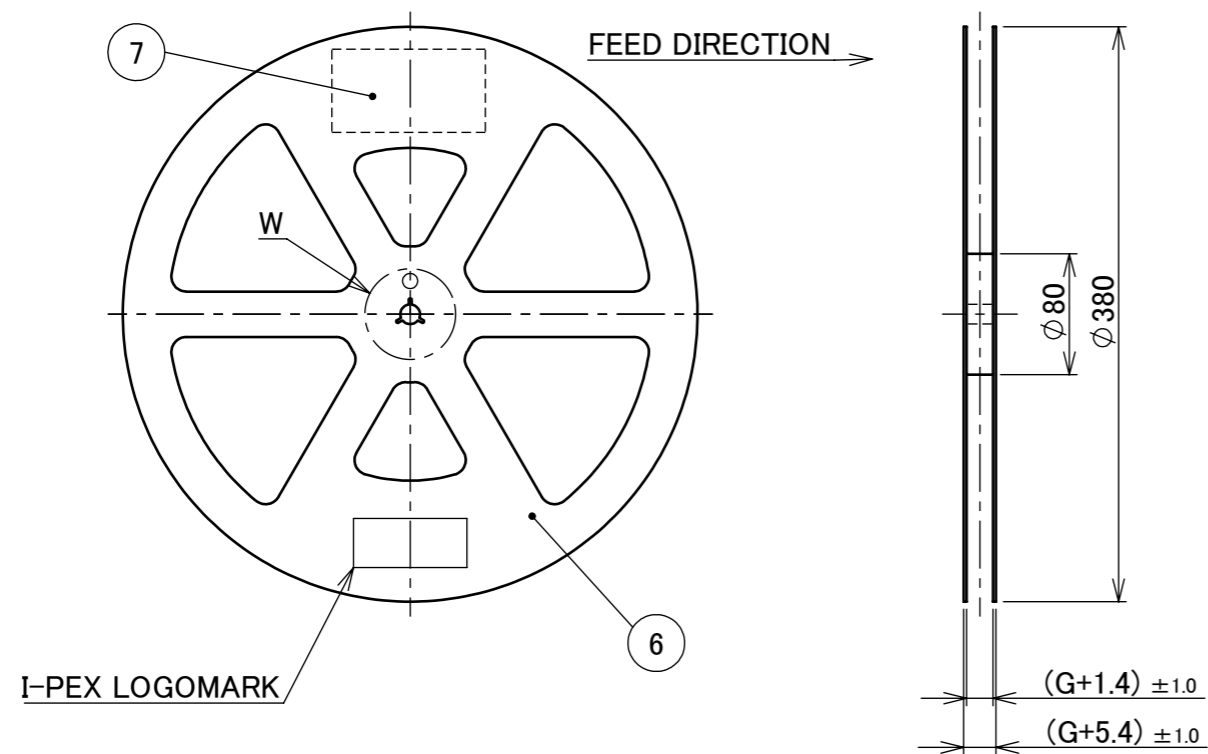
CONNECTOR ON RECOMMENDED FOOTPRINT PATTERN LAYOUT



REFLOW TEMPERATURE PROFILE
 SENJU METAL INDUSTRY CO., LTD. : M705-SHF(Sn96.5 Ag3.0 Cu0.5)

ANGLE	±2°	6 OVER 30 MAX.	±0.3	PROJECTION 	SERIES No. R5	CUSTOMER COPY		
6 MAX.	±0.2	30 OVER 120 MAX.	±0.5					
GENERAL TOLERANCE.				TITLE NOVASTACK® 35-HDH RECEPTACLE ASSEMBLY	SCALE 10:1	UNIT I-PEX		
DWG.	DATE							
CHK.								
APP.								
				DWG. No.	21004	SIZE A3	SHEET 4/5	REV. 2

PART No.	Pos.	G	M	QTY. PER EMBOSS REEL (PIECES / REEL)	QTY. PER PACKING CARTON (REELS / CARTON)
21004-060E	60P	24.0	11.50	5,000 / REEL	5000 × 5 REELS = 25,000
21004-070E	70P				



- NOTES.
- TAPING SPECIFICATION FOLLOWS JIS C 0806 (IEC 60286-3).
 - MAKE EMPTY SECTION OF LEADER AND END ON EACH END OF THE TAPE.
 - TOP TAPE SHALL NOT STICK OUT FROM EMBOSS TAPE.
 - TOP TAPE SHALL NOT COVER FEED HOLE.

NO.	DESCRIPTION	MATERIAL	FINISH, REMARKS
7	PACKING LABEL	-	-
6	REEL	PS	ANTI-STATIC TYPE BLACK
5	TOP TAPE	PET t=0.062 TRANSPARENCY	ANTI-STATIC TYPE
4	EMBOSS TAPE	PS t=0.3 TRANSPARENCY	ANTI-STATIC TYPE

ANGLE	±2°	6 OVER 30 MAX.	±0.3	PROJECTION ⊕	SERIES No. R5	CUSTOMER COPY			
6 MAX.	±0.2	30 OVER 120 MAX.	±0.5						
GENERAL TOLERANCE.				TITLE		SCALE	I-PEX		
DWG.	DATE			NOVASTACK® 35-HDH RECEPTACLE ASSEMBLY		1:X			
CHK.						UNIT			
APP.						mm			
				DWG. No.	21004	SIZE			
						A3	5/5	2	