

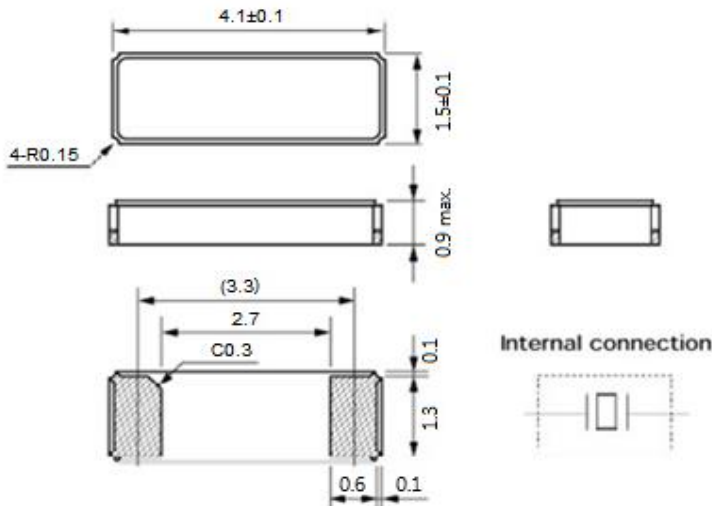
4115E Series : Tuning Fork SMD Crystal 4.1x1.5 mm

32.768KHz

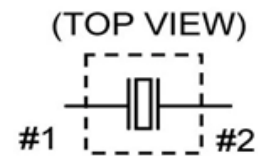
● SPECIFICATION

Model	4115E Series
Frequency range	32.768 KHz
Load capacitance	12.5pF
Drive Level	0.5uW max.
Frequency tolerance	±20ppm (at 25°C)
Series resistance	80 KΩ max.
Turnover temperature	25°C ± 5°C
Temperature coefficient	-0.04 ± 0.01 PPM / °C ² max.
Operation temperature range	- 40°C ~ + 80°C
Storage temperature	- 55°C ~ + 125°C
Motional capacitance	2.1fF Typical
Shunt capacitance	1.3pF max.
Insulation resistance	500 MΩ min.
Aging	±3ppm / Year.

● DIMENSIONS (mm)



● INTERNAL LEAD CONNECTION



● RECOMMENDED SOLDERING PATTERN(unit:mm)

