

used for: \_\_\_\_\_

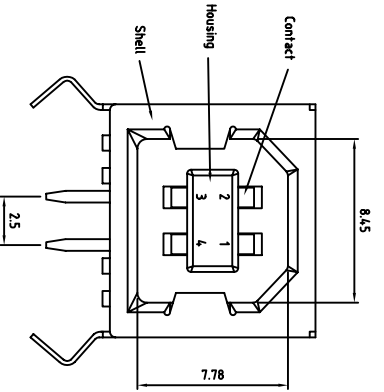
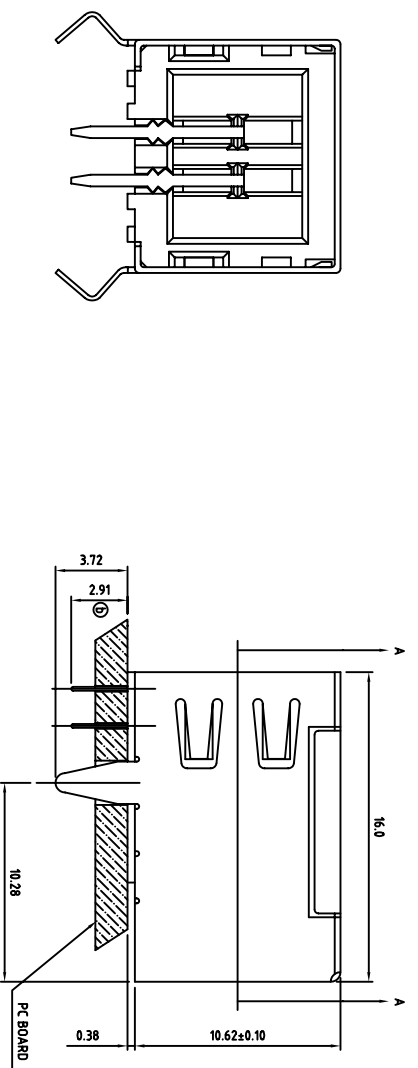
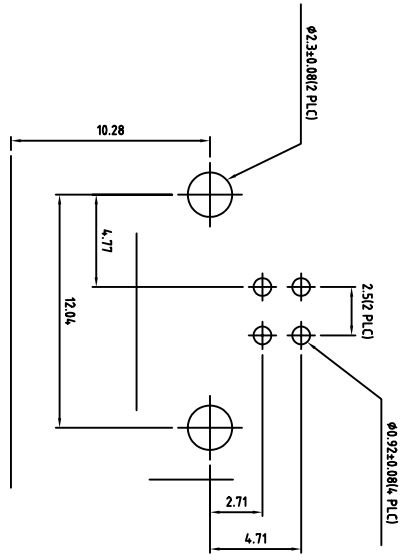
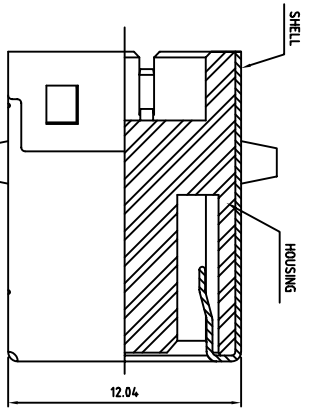
**SPECIFICATIONS**

**Materials and Finish:**

Insulator: PBT, Glass Filled, UL94 V-0 Rated  
 Contact: Copper Alloy with 5u" Gold Plating  
 Shell: Copper Alloy-Cu/Nickel Plating

**Electrical**

Insulation Resistance: 1000 MOhms Minimum  
 Contact Resistance: 30 mOhms Maximum Initial  
 Dielectric Withstanding Voltage: 500V AC for one minute  
 Current: 1.5 A Maximum Per Contact at 30°C T-Rise  
 Voltage: 30V AC (rms)  
 Temperature: -55°C ~ 85°C



THIS DRAWING MAY NOT BE COPIED OR REPRODUCED IN ANY WAY, AND MAY NOT BE PASSED ON TO A THIRD PARTY WITHOUT WRITTEN PERMISSION. OWNERSHIP AND COPYRIGHT OF CONEC CORPORATION

DO NOT ALTER CAD DRAWING BY HAND

rev.	description	date	name
a		Apr/19/00	John Nijo
b	2 x b	Nov/21/06	Vincent Ke
c			

tolerance	name	date	name
unless otherwise specified			
Drawn: 2005	Vincent Ke	April 14	Vincent Ke
App'd: norm	R. Santangelo	April 14	R. Santangelo
0-0-KT			

scale:	material:	title:
		USB (1.1 Version) CONNECTOR B TYPE
		PCB R/A without Back Shell ©
		RoHS compliant ©
drawing no.:	part no.:	
AutoCAD 2005	33UBBR-04.SW11	
DIN A3		
sheet 1/1		

8 7 6 5 4 3 2 1