

EMP Protector 3400.17.0380

Description

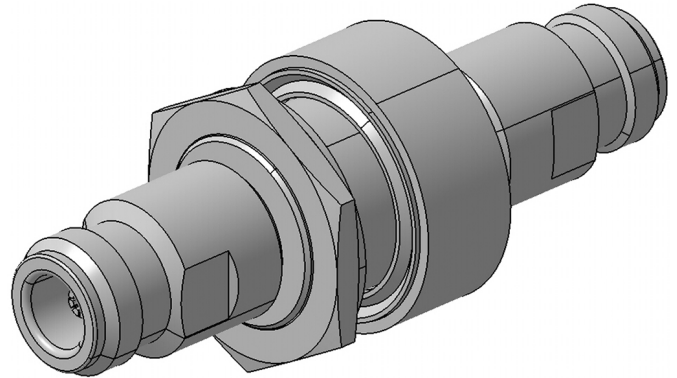
Quarter-wave stub technology

Benefits

Broad-band design

The protector can also be installed reversely

Compliant to IEC 61643-21



Product Configuration

| | |
|------------------------|---|
| Main path connectors | Port 1: <u>unprotected</u> , N jack (female) - Port 2: <u>protected</u> , N jack (female) |
| Mounting and grounding | MH69 (bulkhead mounting), brk (bracket) |
| Side of bulkhead | protected side |

Technical Data

Electrical Data

| | |
|-----------------|------------------|
| Impedance | 50 Ω |
| Frequency range | 6000 - 18000 MHz |
| Return loss | ≥ 20 dB |
| Insertion loss | ≤ 0.3 dB |
| RF CW power | ≤ 100 W |
| PIM 3rd order | not specified |

| | |
|-----------------------------------|--|
| Surge current handling capability | 50 multiple kA (test pulse 8/20 μs) |
| Residual pulse energy | 5 μJ typically (test pulse 4 kV 1.2/50 μs / 2 kA 8/20 μs) main path - protected side |

Mechanical Data

| | |
|-------------------|-------|
| Number of matings | 500 |
| Weight | 225 g |

Environmental Data

| | |
|--|--|
| Operating temperature | -40 °C to +85 °C |
| Waterproof degree | IP65 (according to IEC 60529, data refer to the coupled state) |
| 2011/65/EU (RoHS - including 2015/863 and 2017/2102) | compliant |

Material Data

| Piece Parts | Material | Surface Plating |
|-----------------------|------------------------|--|
| Housing | Brass | SUCOPLATE (R) Plating |
| Port 1 center contact | Copper Beryllium Alloy | Gold Plating (without Nickel underplating) |
| Port 2 center contact | Copper Beryllium Alloy | Gold Plating (without Nickel underplating) |

Related Documents

| | |
|----------------------|----------------|
| Outline drawing | DOU-00003513 |
| Mounting instruction | DOC-0000176104 |