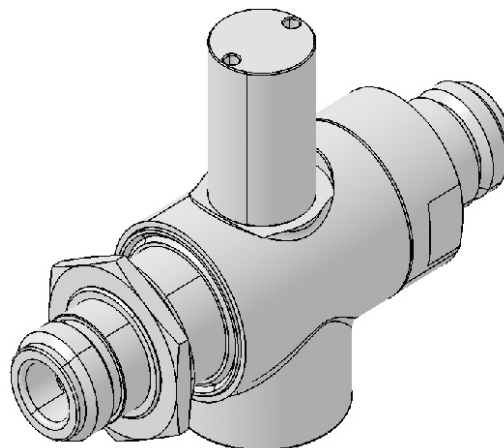


COAXIAL SURGE PROTECTOR DEVICE, Quarter-wave stub technology

3400.17.0416

Properties

- Maintenance-free products
- Highest current handling capability up to 100 kA max.
- Best PIM performance
- Available in several frequency ranges from 380MHz up until 18GHz
- Inertion loss not exceeding 0.2 dB max.



Product configuration

Main path connectors	Port 1: unprotected, N jack (female) Port 2: protected, N jack (female)
Mounting and grounding	MH25 (bulkhead mounting), M8 (screw)

Material data

Housing material / plating	Brass / SUCOPLATE (R) Plating
Center contact, material / plating	Port 1: Copper Beryllium Alloy / Gold Plating (without Nickel underplating)
	Port 2: Copper Beryllium Alloy / Gold Plating (without Nickel underplating)

Electrical data

Impedance	50 Ω
Frequency frame	1000 MHz to 2900 MHz

Electrical bands

	Range 1	Range 2
Frequency range	1000 MHz ... 1100 MHz	2700 MHz ... 2900 MHz
Return loss	20 dB	20 dB
Insertion loss	0.1 dB	0.1 dB
Power avg. / peak	750 W / -	450 W / -
PIM 3rd order		0 dBc

COAXIAL SURGE PROTECTOR DEVICE, Quarter-wave stub technology

3400.17.0416

Electrical remarks	
Surge current handling capability	50 multiple kA (test pulse 8/20 μ s)
Residual pulse energy	5 μ J typically (test pulse 4 kV 1.2/50 μ s / 2 kA 8/20 μ s) main path - protected side
Gas tube	No DC / shorted QW or LC

Mechanical data	
Weight	300 g
Mating cycles	500

Environmental data	
Operation temperature	-40 °C ... 85°C
Storage temperature	-40 °C ... 85°C
Ingress protection (IP Rating)	IP65

Ordering Information Table	
Item number	Item description
84016513	3400.17.0416

HUBER+SUHNER is certified by ISO 9001, ISO 14001, ISO 45001, IATF 16949, AS/ EN 9100 and ISO/TS 22163-IRIS. Waiver: Facts and figures herein are for information only and do not represent any warranty of any kind.
DOCUMENT PIM-P2062 / Date of publication: 07.11.2023 / uncontrolled copy