

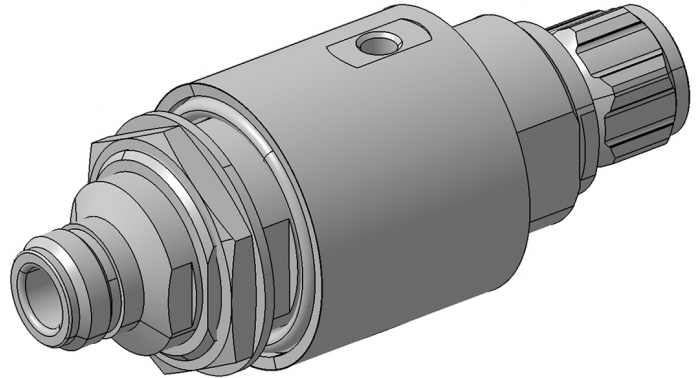
## EMP Protector 3407.17.0068

### Description

Quarter-wave stub technology with integrated high-pass filter

#### Benefits

- Broad-band design
- Space saving inline design
- Compliant to IEC 61643-21



### Product Configuration

Main path connectors	Port 1: <u>unprotected</u> , N plug (male) - Port 2: <u>protected</u> , N jack (female)
Mounting and grounding	MH110 (bulkhead mounting), M6 (screw), brk (bracket)
Side of bulkhead	both
Design speciality	inline design

### Technical Data

#### Electrical Data

Impedance	50 Ω
Frequency range	806 - 2500 MHz
Return loss	≥ 26 dB
Insertion loss	≤ 0.1 dB
RF CW power	≤ 500 W
PIM 3rd order	not specified

Surge current handling capability	25 single / 20 multiple kA (test pulse 8/20 μs)
Residual pulse energy	0.03 μJ typically (test pulse 4 kV 1.2/50 μs / 2 kA 8/20 μs) main path - protected side

#### Mechanical Data

Number of matings	500
Weight	538 g

#### Environmental Data

Operating temperature	-40 °C to +85 °C
Waterproof degree	IP65 (according to IEC 60529, data refer to the coupled state)
2011/65/EU (RoHS - including 2015/863 and 2017/2102)	compliant acc. Annex III

#### Material Data

Piece Parts	Material	Surface Plating
Housing	Brass	SUCOPLATE (R) Plating
Port 1 center contact	Copper Beryllium / Bronze / Brass	Gold Plating (without Nickel underplating)
Port 2 center contact	Brass	Gold Plating (without Nickel underplating)

### Related Documents

Outline drawing	DOU-00016060.1
Mounting instruction	DOC-0000176104