

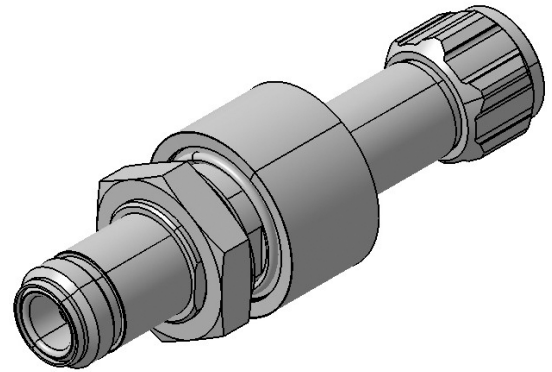
EMP Protector 3407.17.0085

Description

Quarter-wave stub technology with integrated high-pass filter

Benefits

Broad-band design
Space saving inline design
Compliant to IEC 61643-21



Product Configuration

Main path connectors	Port 1: <u>unprotected</u> , N plug (male) - Port 2: <u>protected</u> , N jack (female)
Mounting and grounding	MH170 (bulkhead mounting), brk (bracket)
Side of bulkhead	protected side
Design speciality	inline design

Technical Data

Electrical Data

Impedance	50 Ω
Frequency range	2000 - 6000 MHz
Return loss	≥ 20 dB
Insertion loss	≤ 0.2 dB
RF CW power	≤ 300 W
PIM 3rd order	not specified

Surge current handling capability	50 multiple kA (test pulse 8/20 μ s)
Residual pulse energy	0.0001 μ J typically (test pulse 4 kV 1.2/50 μ s / 2 kA 8/20 μ s) main path - protected side

Mechanical Data

Number of matings	100
Weight	108 g

Environmental Data

Operating temperature	-40 $^{\circ}$ C to +85 $^{\circ}$ C
Waterproof degree	IP68 (according to IEC 60529, data refer to the coupled state)
2011/65/EU (RoHS - including 2015/863 and 2017/2102)	compliant

Material Data

Piece Parts	Material	Surface Plating
Housing	Aluminium	Chromatized
Port 1 center contact	Brass	Gold Plating (without Nickel underplating)
Port 2 center contact	Copper Beryllium Alloy	Gold Plating (without Nickel underplating)

Related Documents

Outline drawing	DOU-00144797.1
Mounting instruction	DOC-0000447876

Remarks

Recommendation: if this protector is mated with connectors made of copper-alloy base material and trimetal or nickel plating the connector area must be taped to improve long-term durability.

