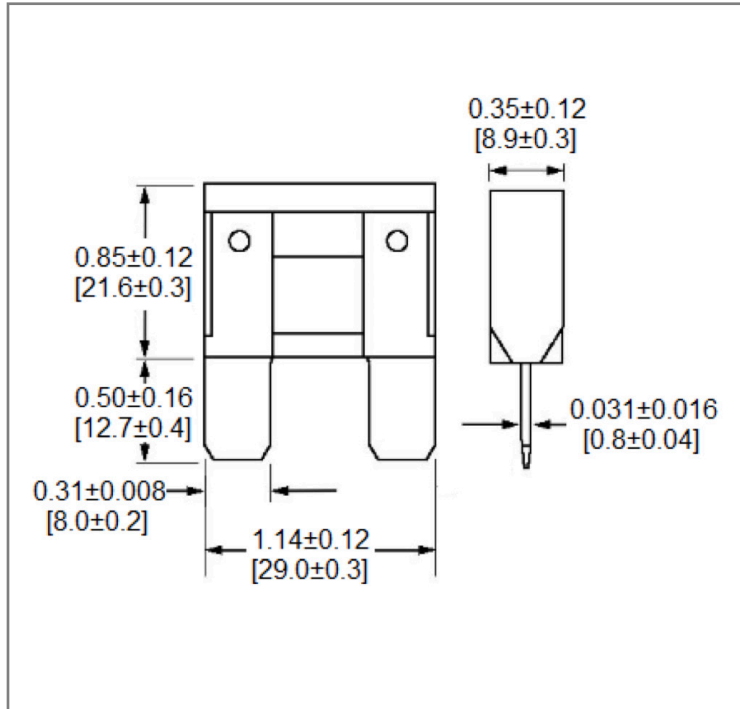
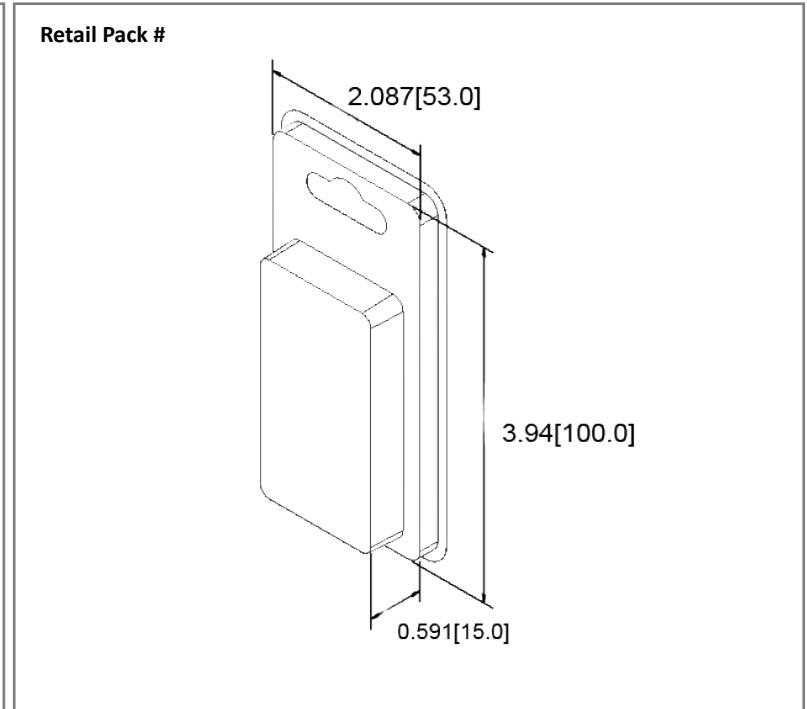


Mechanical Dimensions: Inches [mm]



Retail Pack: Inches [mm]



Part Numbers Information

Amperage	Body Color	Bulk Part #	Retail Pack # Blister Card	Pack Size
20A	Yellow	ANX-I-20A	ANX-I-20A-BP	1
30A	Green	ANX-I-30A	ANX-I-30A-BP	1
40A	Orange	ANX-I-40A	ANX-I-40A-BP	1
50A	Red	ANX-I-50A	ANX-I-50A-BP	1
60A	Blue	ANX-I-60A	ANX-I-60A-BP	1
70A	Tan	ANX-I-70A	ANX-I-70A-BP	1
80A	Clear	ANX-I-80A	ANX-I-80A-BP	1
100A	Violet	ANX-I-100A	-	-

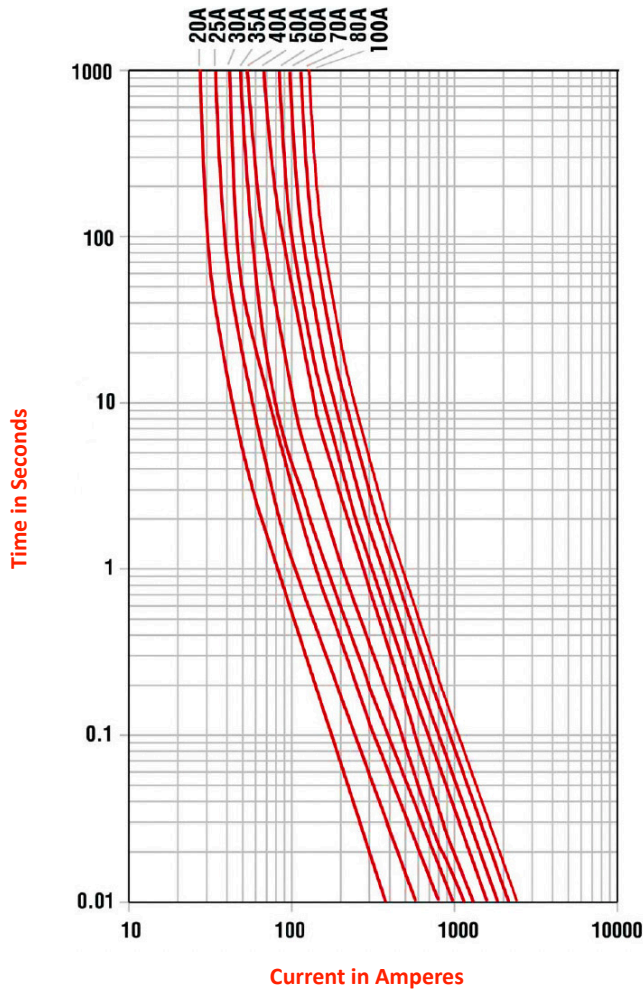
Electrical Specifications

Voltage Rating	32V DC
Interrupting Rating	1000A @ 32 VDC
Testing	ISO 8820-3; SAE J1888

Material Specifications

Body	PA 66
Terminals	Zinc Alloy
Indicating LED when fuse is opened	

Time vs. Percent of Rated Current



% of Rated Current	Current Rating	Min Hold Time	Max Hold Time
135%	20-60 Amp	60s	1800s
135%	70-100 Amp	60s	3600s
200%	20-100 Amp	4s	60s
350%	20-100 Amp	0.2s	7s

Rev Date of issue Revision Notes

Designed Approved

D	07-19-2024	Updated Testing Information	RC	OF
---	------------	-----------------------------	----	----