

Data sheet

SP064xxVGNF ASP084

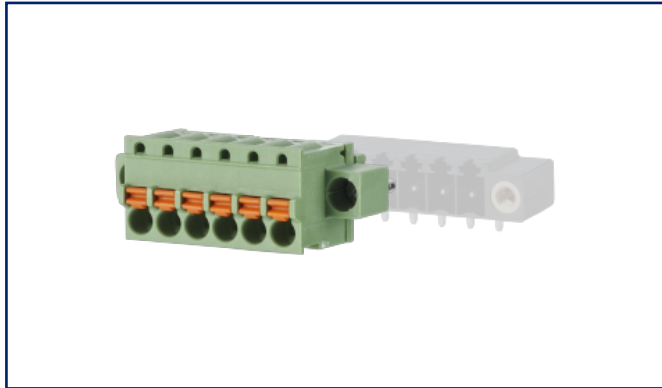
P/N
ASP084xx06

xx=number of poles

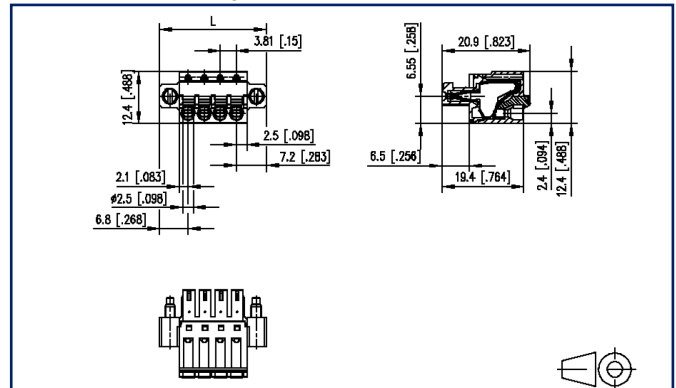
2024/05/23

Version: P

Illustrations



Dimensional drawing



See enlarged drawings at the end of document

Product specification

- spring clamp terminal block, pluggable
- centerline 3.81 mm, direction of connection vertical 0°
- color green, mounting flange
- push-button, wire entry uncodeable side parallel to plug direction



Technical Data



General Data

| | | | |
|---------------------------|---------|--------|--------|
| min. number of poles | 2 | | |
| max. number of poles | 24 | | |
| Insulating material class | CTI 600 | | |
| clearance/creepage dist. | 1.9 mm | | |
| Protection category | IP20 | | |
| Min. insul. strip length | 9 mm | | |
| Rated current | 8 A | | |
| Overvoltage category | III | III | II |
| Pollution degree | 2 | 2 | 2 |
| Rated voltage | 50 V | 250 V | 250 V |
| Rated test voltage | 2.5 kV | 2.5 kV | 2.5 kV |

Terminal data

| | | | |
|--------------------------|--------------------------------------------------------------|--|--|
| rat.wiring solid AWGmax | 0.08 mm ² - 1.5 mm ² / AWG 28 - AWG 16 | | |
| rat.wiring strand.AWGmax | 0.08 mm ² - 1.5 mm ² / AWG 28 - AWG 16 | | |

Approvals

| | | | |
|---------------------------------------------------------------------------------------------------------|----------------------|--|--|
|  V / A / AWG | 150 / 8 / 28 - 16 | | |
| approval UL - File No. | E121004 | | |
|  1.5 mm ² | 130 V / 2.5 kV / 9 A | | |

Material

| | |
|-----------------------------|-------------------------------|
| insulating material | PA66 |
| flammability class | V0 |
| spring material | Spring steel |
| contact material | CuSn |
| Contact surface | Sn |
| Glow-Wire Flammability GWFI | 960 °C acc. to IEC 60695-2-12 |
| Glow-Wire Flammability GWIT | 775 °C acc. to IEC 60695-2-13 |

Climatic Data

| | |
|-------------------------|--------|
| upper limit temperature | 105 °C |
| lower limit temperature | -40 °C |

general

U | Contact

Data sheet
SP064xxVGNF ASP084

Page 3/5

P/N
ASP084xx06
xx=number of poles
2024/05/23
Version: P

Technical Data

Tolerance ISO 2768 -mH



U | Contact

Data sheet
SP064xxVGNF ASP084

Page 4/5

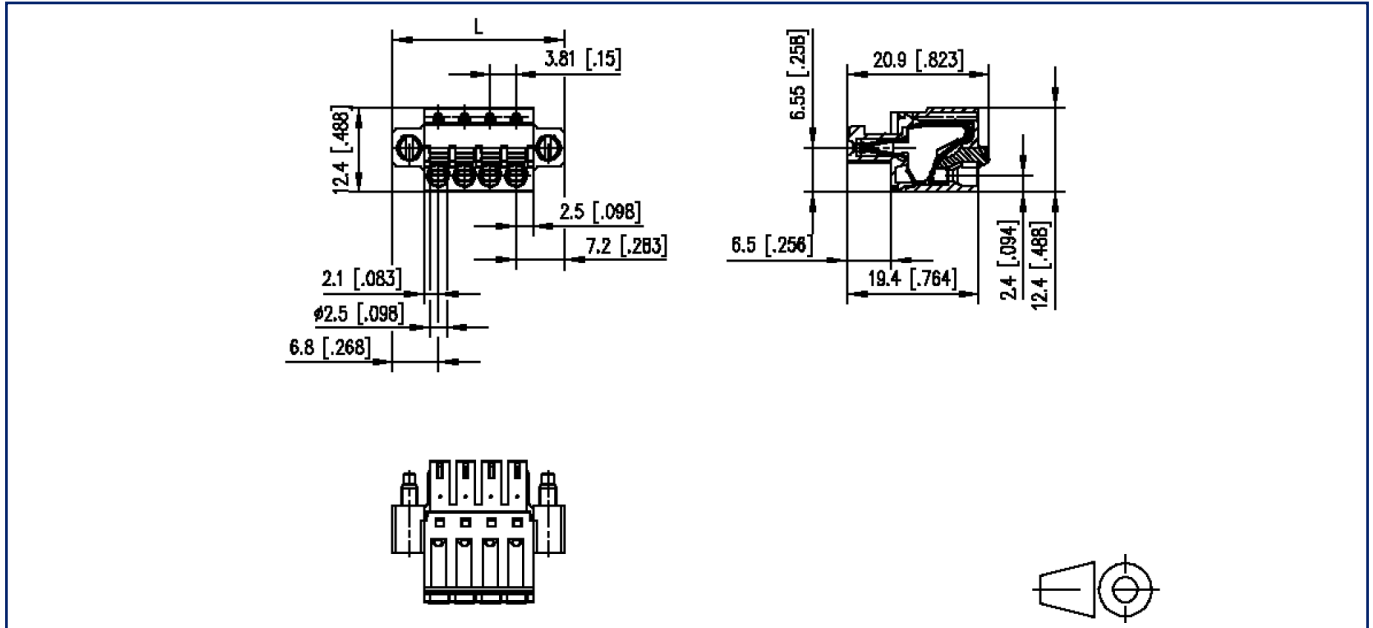
P/N
ASP084xx06
xx=number of poles
2024/05/23
Version: P

Counterpart

| P/N | Designation |
|--------|----------------------|
| 313901 | PR044xxHBBF Type 390 |
| 313911 | PR044xxVBBF Type 391 |
| 313921 | PT094xxHBBF Type 392 |
| 313931 | PT094xxVBBF Type 393 |

Illustrations

Dimensional drawing



$L = (\text{pole size} - 1) \times \text{centerline} + 13.96 \text{ mm} [0.55]$

© 2024 METZ CONNECT - Technische Änderungen vorbehalten! Subject to modifications! Sous réserve de modifications techniques!