

# Data Sheet

## SP064xxVGNF

Page 1/4

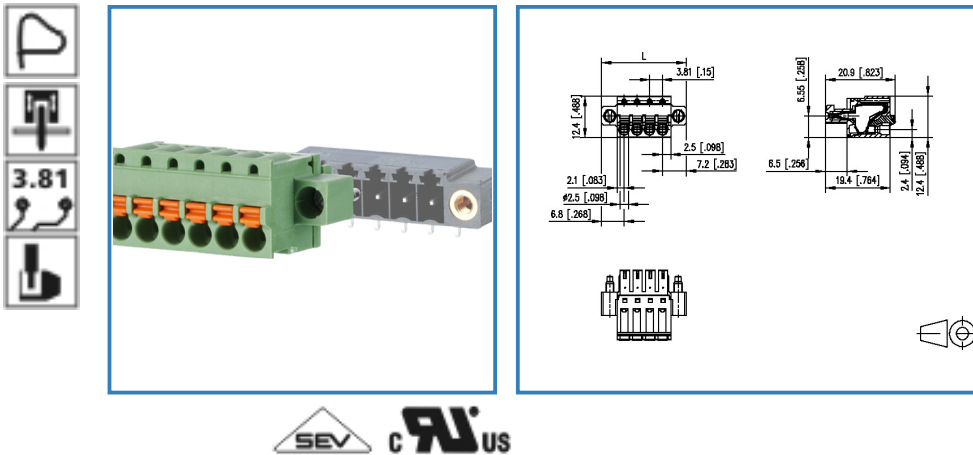
P/N

ASP084xx

xx=number of poles

2017/01/24

### Illustration



see enlarged drawing at the end of the document

### Product specification

- spring clamp terminal block, pluggable
- centerline 3.81 mm, direction of connection vertical 0°
- color green, mounting flange
- push-button, wire entry uncodeable side parallel to plug direction



# Data Sheet

## SP064xxVGNF

### Technical Data



#### General Data

min. number of poles	2		
max. number of poles	24		
Insulating material class	CTI 600		
clearance/creepage dist.	1.9 mm		
protection category	IP 20		
Overvoltage category	III	III	II
Pollution degree	3	2	2
Rated voltage	125 V	320 V	320 V
Rated test voltage	2.5 kV	2.5 kV	2.5 kV

#### Connection data

Rated wiring solid wire	0.08 - 1.5 mm <sup>2</sup> / AWG 28 - 16
Rated wiring stranded wire	0.08 - 1.5 mm <sup>2</sup> / AWG 28 - 16

#### Approvals

 V / A / AWG	150 / 8 / 28 - 16
	9 A / 130 V / 2.5 kV / 3 / IEC 61984 / 0.08 - 1.5 mm <sup>2</sup>

#### Material

insulating material	PA66
flammability class	V0
spring material	Spring steel
contact material	CuSn
Glow-Wire Flammability GWFI	960
Glow-Wire Flammability GWIT	775
contact surface	Sn

#### Climatic properties

upper limit temperature	105 °C
lower limit temperature	-40 °C

#### General

Tolerance	ISO 2768 -mH
-----------	--------------



# Data Sheet

## SP064xxVGNF

Page 3/4

P/N

ASP084xx

xx=number of poles

2017/01/24

### Matching Part

P/N	Product name
313901	PR044xxHBBF Typ 390
313911	PR044xxVBBF Typ 391
313921	PT094xxHBBF Typ 392
313931	PT094xxVBBF Typ 393

### Accessories

P/N	Product name
700025-01-9	700025



# Data Sheet

## SP064xxVGNF

Page 4/4

P/N

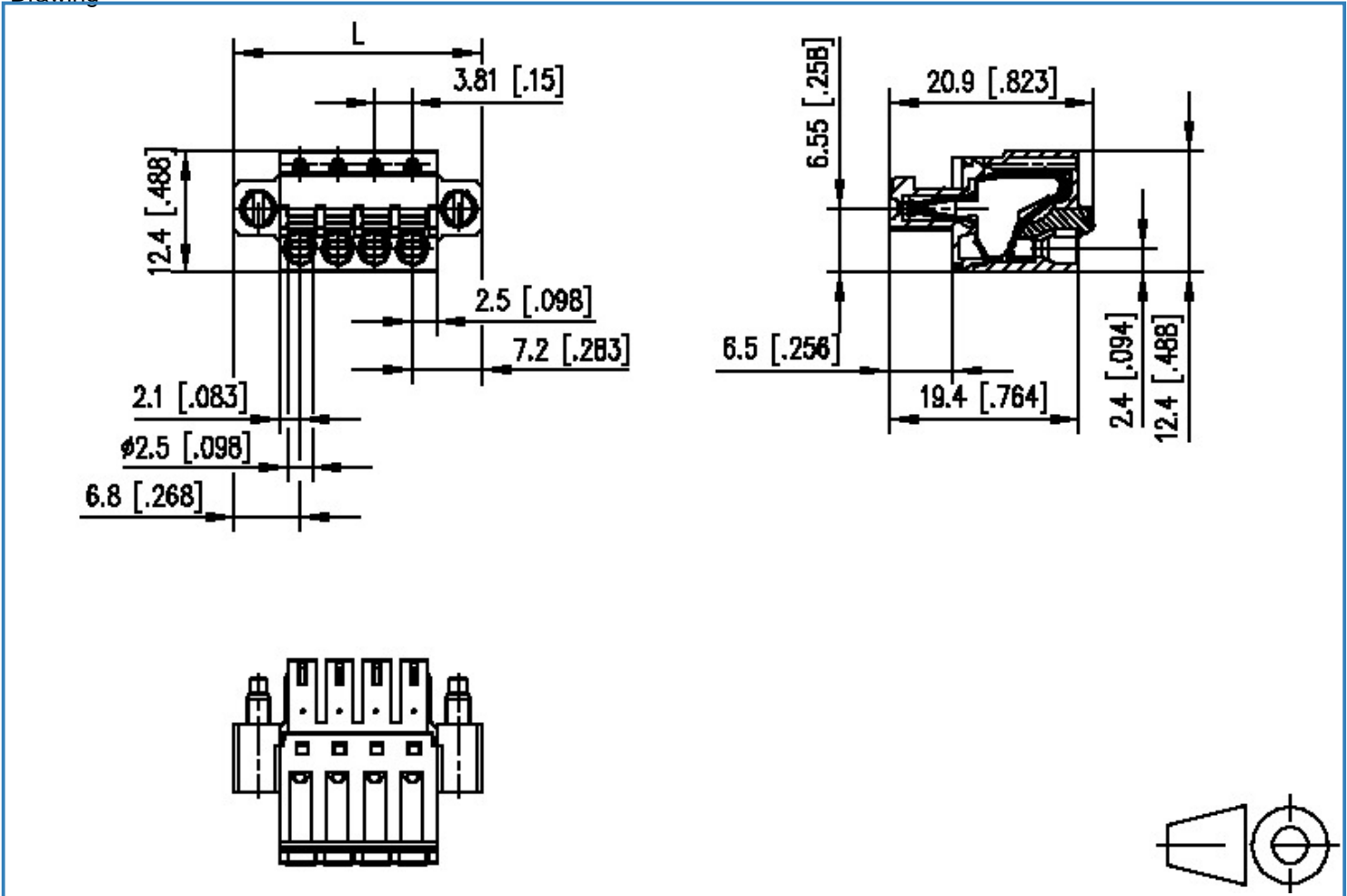
ASP084xx

xx=number of poles

2017/01/24

### Illustration

Drawing



$$L = (\text{pole size} - 1) \times \text{centerline} + 13.96 [0.55]$$

