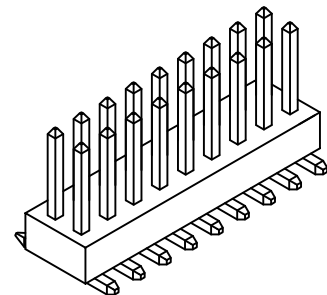
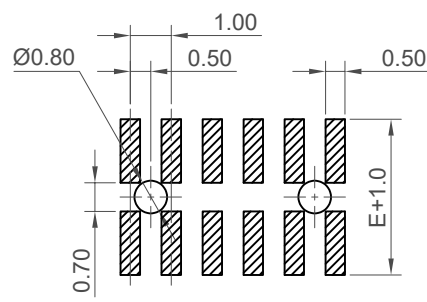
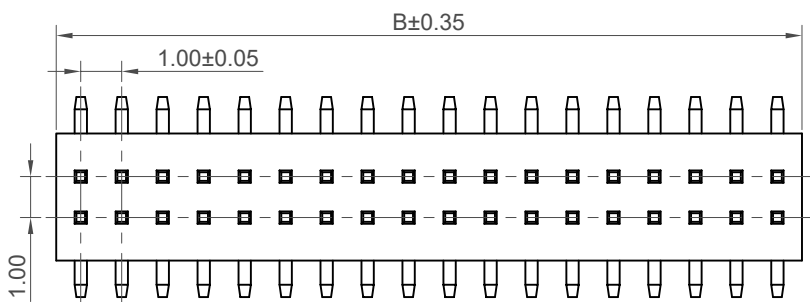
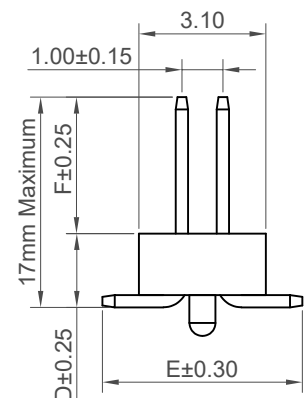
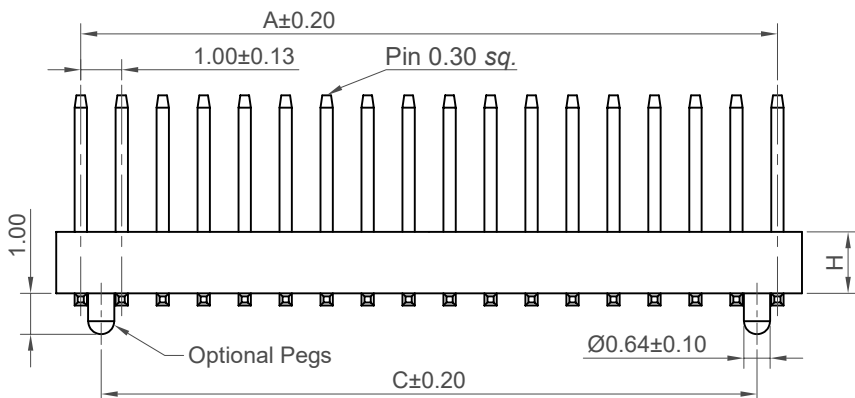


H
G
F
E
D
C
B
A



Recommended PCB Layout
Solder Area



Specifications

Material

Insulator: Polymer LCP, UL94V-0, Black
Contact: Copper Alloy

Plating

Gold Flash All Over

Electrical

Current Rating: 1 Amp per pin
Contact Resistance: 20 mΩ max.
Insulating Resistance: 1000 MΩ min.
Dielectric Withstand Voltage: 300V AC

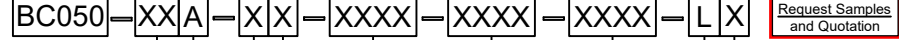
Mechanical & Environmental

Operating Temperature: -40°C to +105°C
Soldering Process:
IR Reflow: 260°C for 10 sec.
Wave: 250°C for 5-10 sec
Manual Solder: 350°C for 3-5 sec

Mates with (Subject to pin length)
BC084 BC085

Number of Contacts	Dimensions		
	A	B	C
4	1.00	2.00	---
6	2.00	3.00	---
8	3.00	4.00	---
10	4.00	5.00	3.00
12	5.00	6.00	4.00
14	6.00	7.00	5.00
16	7.00	8.00	6.00
18	8.00	9.00	7.00
20	9.00	10.00	8.00
22	10.00	11.00	9.00
24	11.00	12.00	10.00
26	12.00	13.00	11.00
28	13.00	14.00	12.00
30	14.00	15.00	13.00
32	15.00	16.00	14.00
34	16.00	17.00	15.00
36	17.00	18.00	16.00
38	18.00	19.00	17.00
40	19.00	20.00	18.00
42	20.00	21.00	19.00
44	21.00	22.00	20.00
46	22.00	23.00	21.00
48	23.00	24.00	22.00
50	24.00	25.00	23.00
52	25.00	26.00	24.00
54	26.00	27.00	25.00
56	27.00	28.00	26.00
58	28.00	29.00	27.00
60	29.00	30.00	28.00
62	30.00	31.00	29.00
64	31.00	32.00	30.00
66	32.00	33.00	31.00
68	33.00	34.00	32.00
70	34.00	35.00	33.00
72	35.00	36.00	34.00
74	36.00	37.00	35.00
76	37.00	38.00	36.00
78	38.00	39.00	37.00
80	39.00	40.00	38.00

Ordering Grid



No. of Contacts
04 to 80

Contact Plating
A = Gold Flash All Over (Standard)

Insulator Height 'H'
K = 1.00mm (Standard)
A = 1.50mm

Locating Peg
0 = No Peg
1 = With Peg

Dimension F (1/100mm) (Post Height)
0200 = 2.00mm (Standard)
0380 = 3.80mm (Standard)
or specify custom post height
eg. 0250 = 2.50mm
(Maximum 0500=5.00mm)
(Minimum 0100=1.00mm)

Dimension E (1/100mm) (Footprint Width)
0480 = 4.80mm (Standard)
or specify custom footprint width
eg. 0250 = 2.50mm
(Tooling charge may apply)

Dimension D (1/100mm) (Top of Insulator to Bottom of Pin)
0160 = 1.60mm (Standard when H=K)
0200 = 2.00mm (Standard when H=A)
or specify custom length
eg. 0250 = 2.50mm
(Minimum 0140=1.40mm when H=K)
(Minimum 0190=1.90mm when H=A)

Packing Options
B = Tape & Reel with Cap (Standard)
D = Tube (Available in 08-80 contacts)
E = Tube with Cap (Available in 08-80 contacts)
G = Plastic Box (Available in 04-06 contacts)

Insulator Material
L = LCP

Request Samples and Quotation

Part Number		Product Description	
BC050		1.0mm Pitch Pin Header, Dual Row, Surface Mount, Vertical	
Drawing Date		20th May 2008	
By	KY	Tolerances (Except as Noted)	Units: Metric (mm)
Detail	BC050 F PCN	Length: X. ± 0.30	Angle: X° ± 5°
Revision	F6	X.X ± 0.25	X.XX° ± 3°
Date	21/06/24	X.XX ± 0.15	X.XX° ± 2°
		X.XXX ± 0.10	X.XXX° ± 1°



This drawing is confidential and copyright of Global Connector Technology, Ltd (GCT). This drawing must not be copied or disclosed without written consent. E & OE



Not to Scale	Drawn By ASE	Sheet No. 1/1
--------------	--------------	---------------