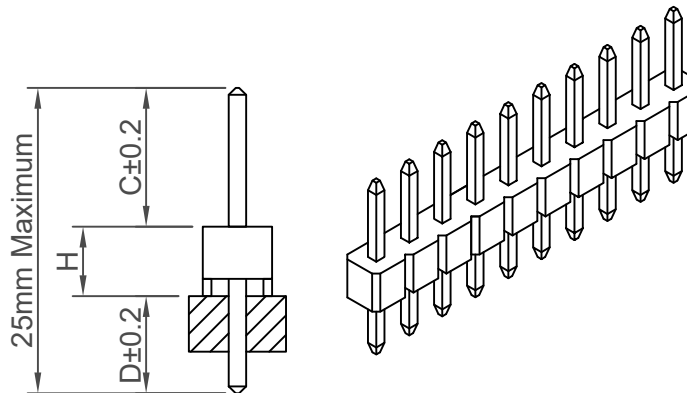
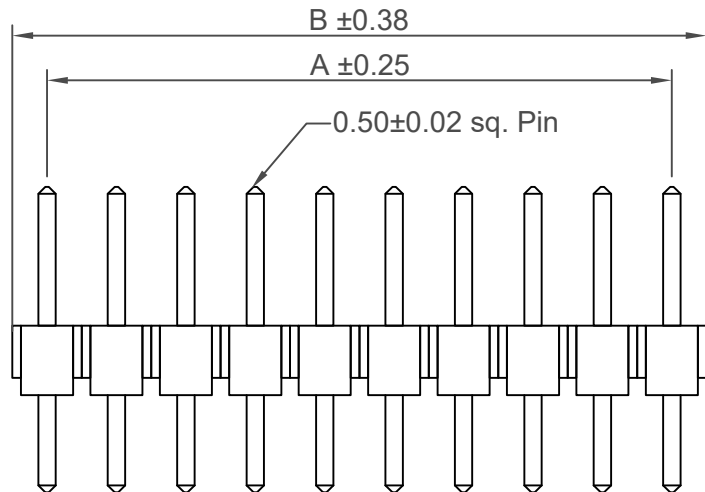


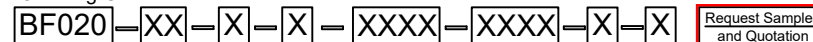
### Recommended PCB Layout



No. of Contacts	Dimensions	
	A	B
2	2.0	4.0
3	4.0	6.0
4	6.0	8.0
5	8.0	10.0
6	10.0	12.0
7	12.0	14.0
8	14.0	16.0
9	16.0	18.0
10	18.0	20.0
11	20.0	22.0
12	22.0	24.0
13	24.0	26.0
14	26.0	28.0
15	28.0	30.0
16	30.0	32.0
17	32.0	34.0
18	34.0	36.0
19	36.0	38.0
20	38.0	40.0

No. of Contacts	Dimensions	
	A	B
21	40.0	42.0
22	42.0	44.0
23	44.0	46.0
24	46.0	48.0
25	48.0	50.0
26	50.0	52.0
27	52.0	54.0
28	54.0	56.0
29	56.0	58.0
30	58.0	60.0
31	60.0	62.0
32	62.0	64.0
33	64.0	66.0
34	66.0	68.0
35	68.0	70.0
36	70.0	72.0
37	72.0	74.0
38	74.0	76.0
39	76.0	78.0
40	78.0	80.0

#### Ordering Grid



No. of Contacts  
02 to 40

#### Contact Plating

- A = Gold Flash All Over (Standard)
- B = Selective Gold Flash Contact Area/Tin On Tail
- C = Tin All Over
- G = 10µ" Gold Contact Area/Tin On Tail
- I = 30µ" Gold Contact Area/Tin On Tail
- L = Matte Tin

Insulator Height 'H'  
B = 2.00mm (Standard)  
A = 1.50mm

#### Packing Options

- G = Plastic Box (Standard)
- D = Tube
- E = Tube with Cap
- B = Tape & Reel with Cap

#### Insulator Material

- N = Nylon 6T (Standard)
- P = PBT
- L = LCP

#### Dimension D (1/100mm) (Tail Length)

0300 = 3.00mm (Standard)  
Or specify Custom Tail Length  
e.g. 2.50mm = 0250  
(Maximum 1500 = 15.00mm)  
(Minimum 0050 = 0.50mm)

#### Dimension C (1/100mm) (Post Height)

0300 = 3.00mm (Standard)  
0400 = 4.00mm (Standard)  
0600 = 6.00mm (Standard)  
Or specify Custom Post Height  
eg 0250 = 2.50mm  
(Maximum 1500 = 15.00mm)  
(Minimum 0050 = 0.50mm)

#### Specifications

#### Material

- Insulator material: Standard Polyamide, Nylon 6T, UL 94V-0
- Options: Polymer, LCP, UL 94V-0; Polyester, PBT, UL 94V-0
- Contact Terminal : Copper Alloy

#### Plating

See Ordering Grid

#### Electrical

- Current Rating: 2 Amp per pin
- Contact Resistance: 20 mΩ max.
- Insulation Resistance: 1000 MΩ min.
- Dielectric Withstand Voltage: 500 V AC

#### Mechanical & Environmental

Operating Temperature: -40°C to +105°C

#### Soldering process:

- Nylon 6T (Standard) - IR Reflow: 260°C for 10 sec. Wave: 230°C for 5-10 sec. Manual solder: 350°C for 3-5 sec

#### LCP (Option) -

- IR Reflow: 260°C for 10 sec. Wave: 250°C for 5-10 sec. Manual solder: 350°C for 3-5 sec

#### PBT (Option) -

- Manual Solder: 330°C for 3-5 sec (Not Suitable for High Temperature Process)

#### Mates with (subject to pin length):

BF070 BF085 BF086 BF087 BF088 BF090

BF085 Recommended mating length 3.00mm

Part Number		Product Description	
BF020		2.00mm Pitch Pin Header	
Drawing Date		Single Row, Through Hole, Vertical	
25th October 2007			
By	KY	Tolerances (Except as Noted)	Units:
Detail	BF020 D PCN	Length: X. ± 0.30 Angle: X.X ± 5° X.X ± 0.20 X.XX ± 2°	Metric (mm)
Revision	D5	X.XX ± 0.15 X.XXX ± 1°	
Date	19/08/24	X.XXX ± 0.10 X.XXX* ± 0.5°	3rd Angle Projection



This drawing is confidential and copyright of Global Connector Technology, Ltd (GCT). This drawing must not be copied or disclosed without written consent. E & OE



Not to Scale	Drawn By LYH	Sheet No. 1/1
--------------	--------------	---------------